

Travelling Merchant: _____

DATASHEET

Standard: **T21-P579-26.00MHz-B**

Plot			The Label
Drew	Audited	Approved	Stamp, please! Thanks!
Date: 2022.04.11			

Guangdong Dapu Telecom Technology Co.,Ltd

Building 5, No.24, Industrial East Road, Songshanhu Park, Dongguan, Guangdong, P.R. China

TEL: 0086-0769-88010888 FAX: 0086-0769-81800098

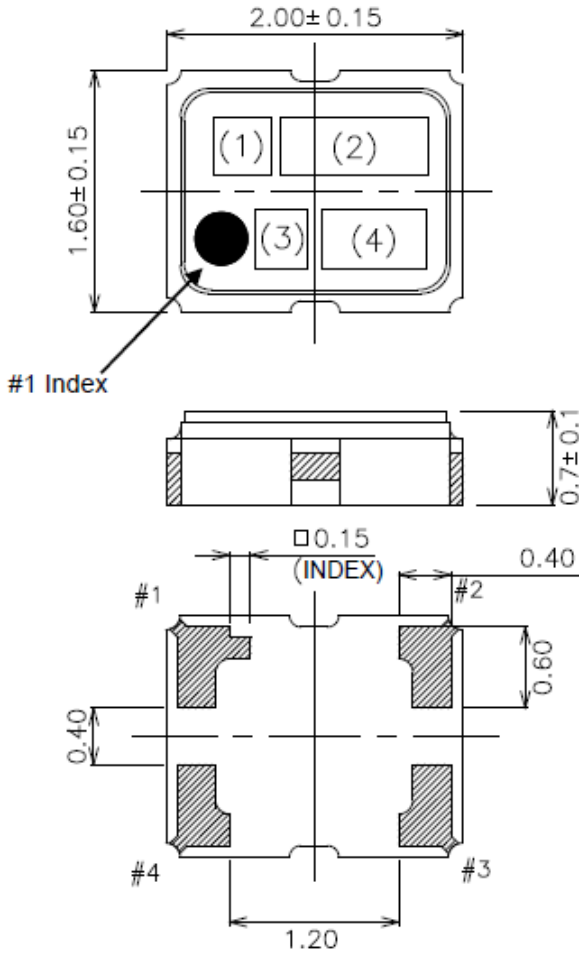


1、 Electrical Parameters

MODEL: T21-P579-26.00MHz-B								
No	Parameters	SYM.	Electrical Spec.				Notes	
			Min.	Typ.	Max.	Units		
1	Nominal Frequency	-	26.00			MHz		
2	Supply Voltage	-	1.71		3.465	V		
3	Current consumption		-	-	1.5	mA		
4	Start-up time				2	ms		
5	Output Level	-	0.8	-	-	Vp-p		
6	Output Waveform		Clipped Sine wave			-		
7	Standard Output Load	-	10KΩ//10pF			-		
8	Frequency Stability	vs. Tolerance	-1.5	-	+1.5	$\times 10^{-6}$	@25±2°C 2H, After 2times reflow soldering, based on nominal frequency.	
9		vs. Temperature	-	-0.5	-	+0.5	$\times 10^{-6}$	T _A = -30~+85°C Ref. to Frequency (T _A =+25°C)
10			-	-1.0	-	+1.0	$\times 10^{-6}$	T _A = -40~30°C Ref. to Frequency (T _A =+25°C)
11		vs. Hysteresys		-0.6	-	+0.6	$\times 10^{-6}$	
12		vs. Load	-	-0.1	-	+0.1	$\times 10^{-6}$	V _{cc} ±5%
13		vs. Supply Voltage	-	-0.1	-	+0.1	$\times 10^{-6}$	Load±10%
14	Operating Temperature Range	-	-40	~	+85	°C		
15	Storage Temperature	-	-40	~	+85	°C		
16	Aging		-	-1.0	-	+1.0	$\times 10^{-6}$	Per year (At 25°C)
				-5.0	-	+5.0	$\times 10^{-6}$	10 years (At 25°C)
17	Symmetry		40	50	60	%		
18	G Sensitivity				2	$\times 10^{-9}$ G	Gamma Vector of all 3axes form 30 to 1500Hz	
19	Phase Noise @ 25°C±2°C				-130	dBc/Hz	1KHz	
20	ESD Level	Human Body Model, class2: 2000V to 4000V; ANSI/ESDA/JEDEC JS-001-2010.						
		Machine Model, class B: 200V to 400V; JEDEC JESD22-A115C.						
21	Moisture Sensitivity Level	Level 2.						
22	Vibration	Test Condition: 0.75mm ;acceleration:10g;10Hz~2000Hz, one cycle per 30 min, test 2 hour. (3 times for each 3 directions X , Y , Z) .IEC 68-2-06 Test Fc.						
23	Shock	100g; 6ms; half sine wave (3 times for each 3 directions X , Y , Z),IEC 68-2-27 Test Ea/Severity 50A.						



2、Mechanical Structure(mm)



Pin Connections

Pin No.	Connection
#1	GND
#2	GND
#3	Output
#4	V _{CC}

Marking

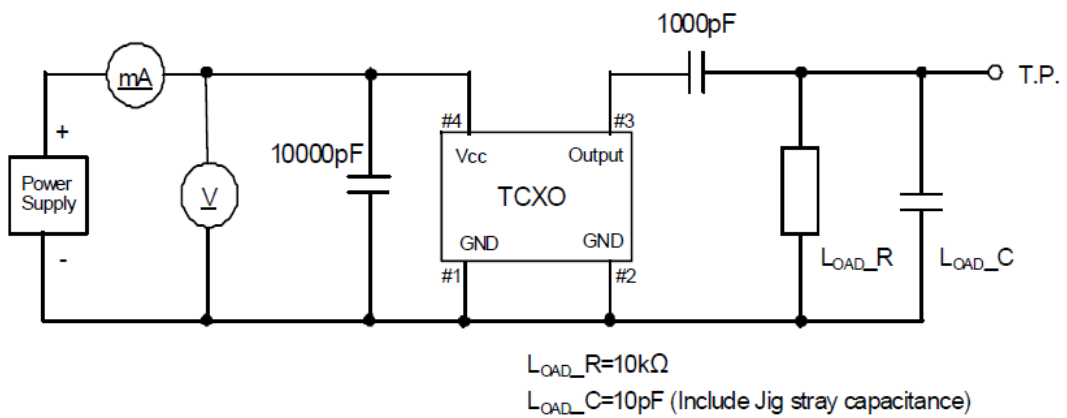
(1) Model code	BN
(2) Frequency	26.0 (MHz, 3digits)
(3) Logo	D
(4) Date code	Year (1digit) +Week (2digits) e.g.2014/1/1 → 401

unit: mm

Dimensional Tolerance: ±0.1

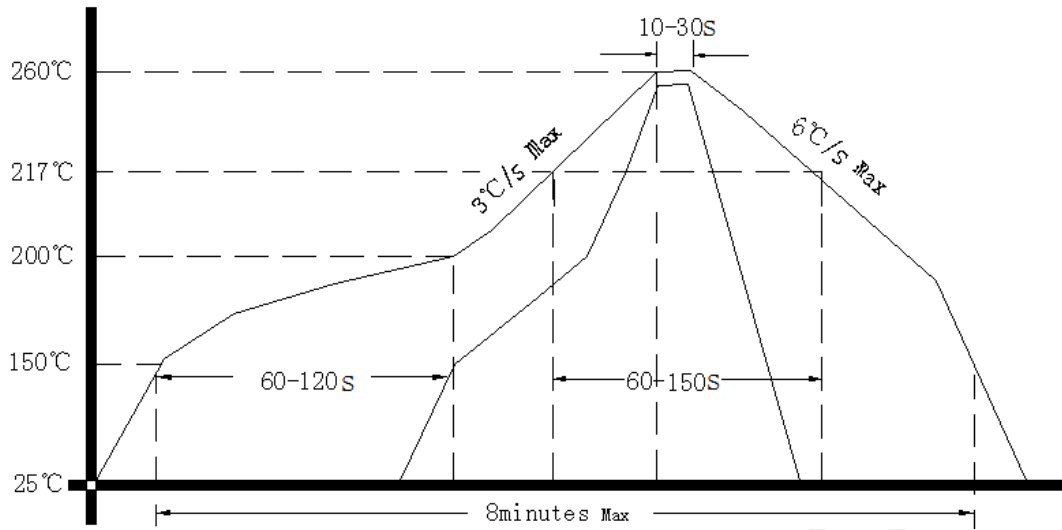
(Unless otherwise noted)

3. Test Circuit





4. Reflow Soldering Curve (RoHS)



5. Package: Tape & Reel (mm)

