

Travelling Merchant: _____

DATASHEET

Standard: **T21-P579-26.00MHz**

P/N: _____

Plot			The Label
Drew	Audited	Approved	Stamp, please! Thanks!
Date: 2021.01.29			

Guangdong Dapu Telecom Technology Co.,Ltd

Bldg13-16,.N.Ind.Zone,SSL Industry Park, Dongguan City, Guangdong Province, China

TEL: 0086-0769-88010888 FAX: 0086-0769-81800098



Table of amendment

Version	Revision contents	Prepared by	Revised date
1.0	The first issued	<i>Amway</i>	2019.09.02
1.1	The "Supply Voltage" "ESD Level" changed	<i>Amway</i>	2021.01.29

DAPU Confidential



1. Electrical Parameters

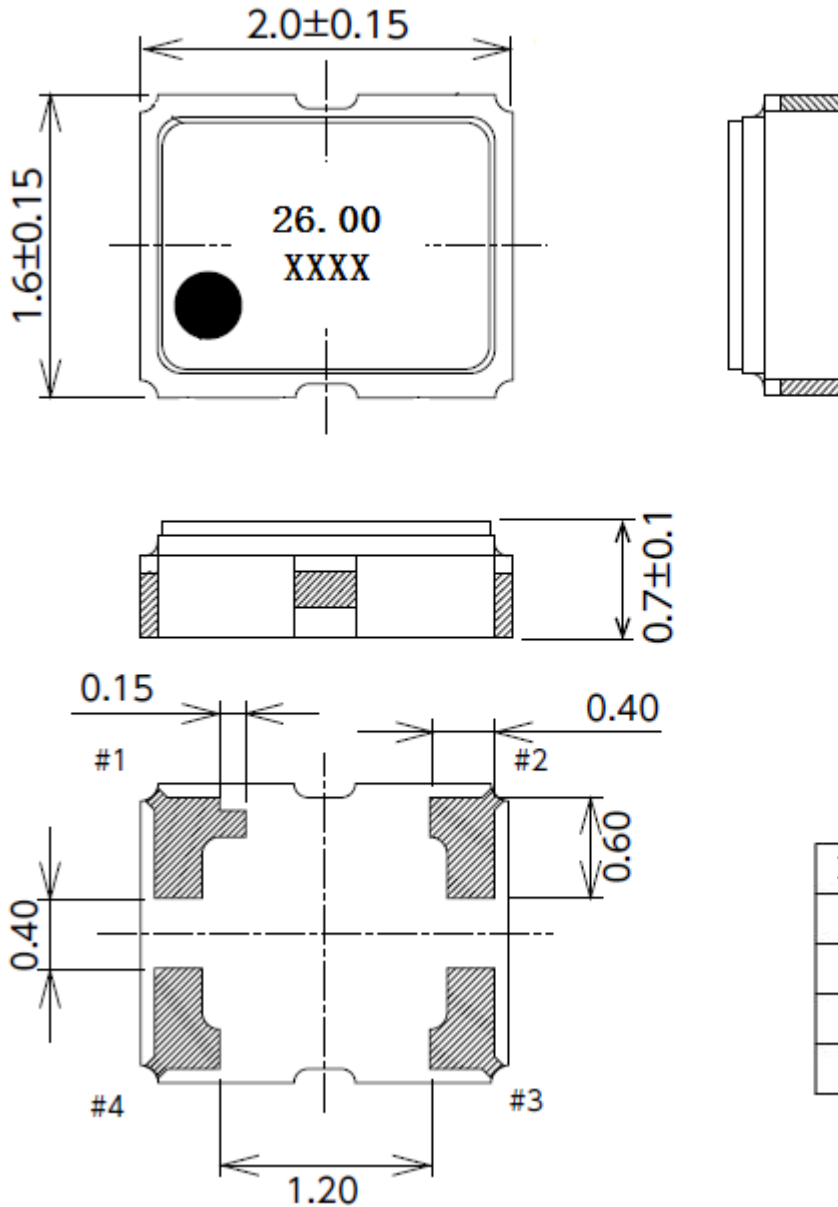
MODEL: T21-P579-26.00MHz						
Item	Description	Parameters			Unit	Test Condition
		Min.	Typ.	Max.		
Output	Frequency	26.00			MHz	
	Output Waveform	Clipped Sine Wave				
	Vp-p	0.8		1.2	V	
	Start up time			2	ms	
	Spurious Suppression			-10	dBc	
	Load	10KΩ//10pF				
Frequency Stabilities	Frequency Tolerance	-2		+2	$\times 10^{-6}$	@25°C
	vs. Temperature Range	-0.5		+0.5	$\times 10^{-6}$	T _A varied from -30°C to 85°C, measurement referenced to frequency observed with T _A =25°C, V _{cc} =1.7V~3.0V, O _{load} =10KΩ//10pF, temperature variable speed less than 2°C per minute.
		-3		+3	$\times 10^{-6}$	T _A varied from -40°C to -30°C, measurement referenced to frequency observed with T _A =25°C, V _{cc} =1.7V~3.0V, O _{load} =10KΩ//10pF, temperature variable speed less than 2°C per minute.
	Frequency Tolerance vs. Supply Voltage	-0.1		+0.1	$\times 10^{-6}$	5% Voltage change measurement referenced to frequency observed T _A =25°C, and O _{Load} =10KΩ//10pF.
	Frequency Tolerance vs. Load	-0.2		+0.2	$\times 10^{-6}$	10% load change measurement referenced to frequency observed with T _A =25°C, V _{cc} =1.7V~3.0V, and O _{Load} =10KΩ//10pF.
	Aging Tolerance 1 Year	-1		+1	$\times 10^{-6}$	T _A =25°C, V _{cc} =1.7V~3.0V,, and after 1h of operation
	Aging Tolerance 10 Year	-4		+4	$\times 10^{-6}$	
	Jitter			8.5	ps	10Hz-1MHz
Frequency Slope		-0.1		+0.1	$\times 10^{-6}/^{\circ}\text{C}$	T _A varied from -30°C to 85°C
		-0.5		+0.5	$\times 10^{-6}/^{\circ}\text{C}$	T _A varied from -40°C to -30°C
Power Supply	Operating Current			2	mA	@25°C, V _{cc} =1.7V~3.0V
	Supply Voltage	1.7		3.0	V	



Phase Noise	Phase Noise			-50	dBc/Hz	1Hz
				-78		10Hz
				-106		100Hz
				-130		1KHz
				-148		10KHz
Environmental Conditions	Operable Temperature	-40		+85	°C	
	Storage Temperature	-55		+125	°C	
	ESD Level	Human Body Model,class2: 2000V to 4000V; ANSI/ESDA/JEDEC JS-001-2010.				
		Machine Model, class B: 200V to 400V; JEDEC JESD22-A115C.				
	Moisture Sensitivity Level	Level 2.				
	Vibration	Test Condition: 0.75mm ;acceleration:10g;10Hz~2000Hz, one cycle per 30 min, test 2 hour. (3 times for each 3 directions X ,Y , Z) .IEC 68-2-06 Test Fc.				
Shock	100g; 6ms; half sine wave (3 times for each 3 directions X ,Y, Z),IEC 68-2-27 Test Ea/Severity 50A.					
Full Package Storage	Relative humidity (%)	20%~70%				
	Temperature (°C)	-10~35°C				



2. Mechanical Structure(mm)



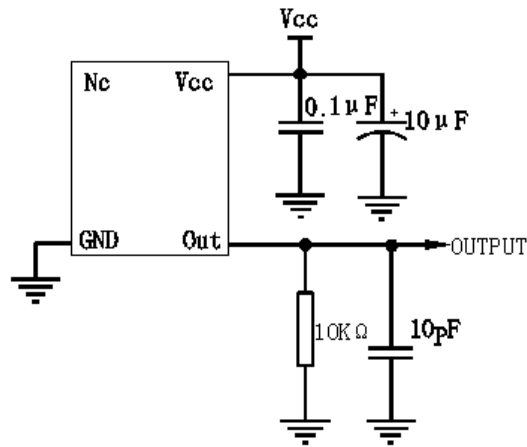
Note1: Tolerance ± 0.1 mm without mark

Note2: Referential weight 0.008g

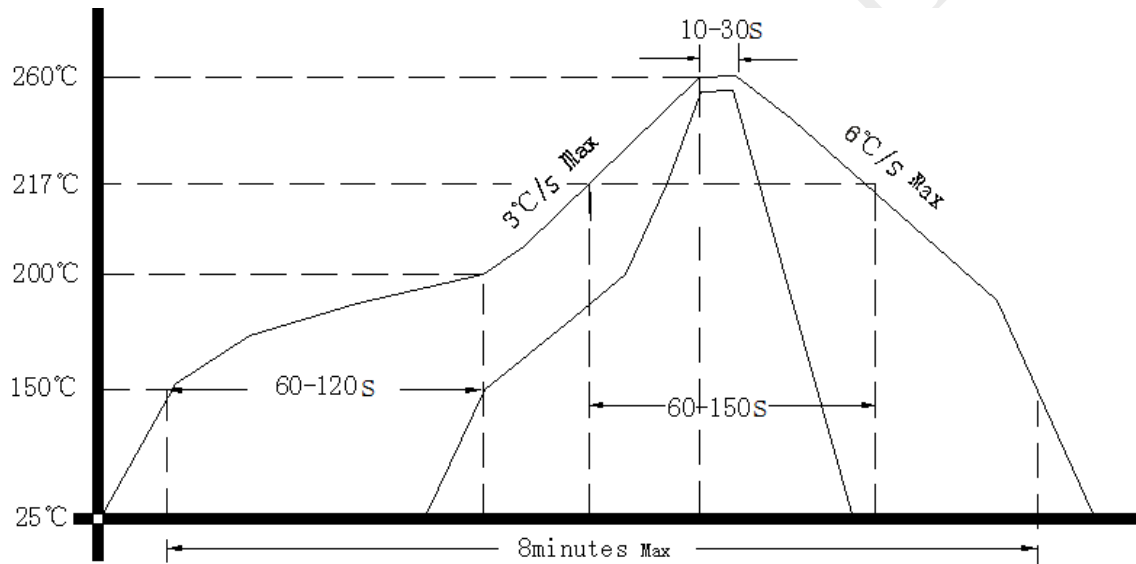
Note3: The first two xx representative: year
After two xx representative: week



3. Test Circuit



4. Reflow Soldering Curve (RoHS)



5. Package: Tape & Reel (mm)

