

Travelling Merchant: _____

DATASHEET

Standard: **T21-P519-48.00MHz**

P/N: _____

Plot			The Label
Drew	Audited	Approved	Stamp, please! Thanks!
Date: 2021.07.19			

Guangdong Dapu Telecom Technology Co.,Ltd

Building 5, No.24, Industrial East Road, Songshanhu Park, Dongguan, Guangdong, P.R. China

TEL: 0086-0769-88010888 FAX: 0086-0769-81800098



1. Electrical Parameters

MODEL: T21-P519-48.00MHz						
Item	Description	Parameters			Unit	Test Condition
		Min.	Typ.	Max.		
Output	Frequency	48.00			MHz	
	Output Waveform	Clipped Sine Wave				
	Start up time			2	ms	@90% of final vout level.
	Duty Cycle	40		60	%	@50%
	Vp-p	0.8			V	
	Harmonics			-5	dBc	
	Load	10KΩ//10pF				
Frequency Stabilities	Tolerance	-1.5		+1.5	$\times 10^{-6}$	After 2 times reflow,Ref. to before reflow frequency, leave after reflow in 2h or more at room ambient.
	vs. Temperature Range	-0.5		+0.5	$\times 10^{-6}$	-30°C to 85°C, T _A =25°C
	Frequency Tolerance vs. Supply Voltage	-0.2		+0.2	$\times 10^{-6}$	measurement referenced to frequency observed T _A =25°C, V _{cc} varied from 3.13V to 3.47V, and O _{Load} =10KΩ//10pF
	Frequency Tolerance vs. Load	-0.2		+0.2	$\times 10^{-6}$	10% load change measurement referenced to frequency observed with T _A =25°C, V _{cc} =3.3V, and O _{Load} =10KΩ//10pF.
	Aging Tolerance 1 Year	-1		+1	$\times 10^{-6}$	T _A =25°C, V _{cc} =3.3V, and after 1h of operation.
Power Supply	Operating Current			2	mA	@25°C, V _{cc} =3.3V
	Supply Voltage	3.13	3.3	3.47	V	
Phase Noise	Phase Noise@25°C			-130	dBc/Hz	1KHz

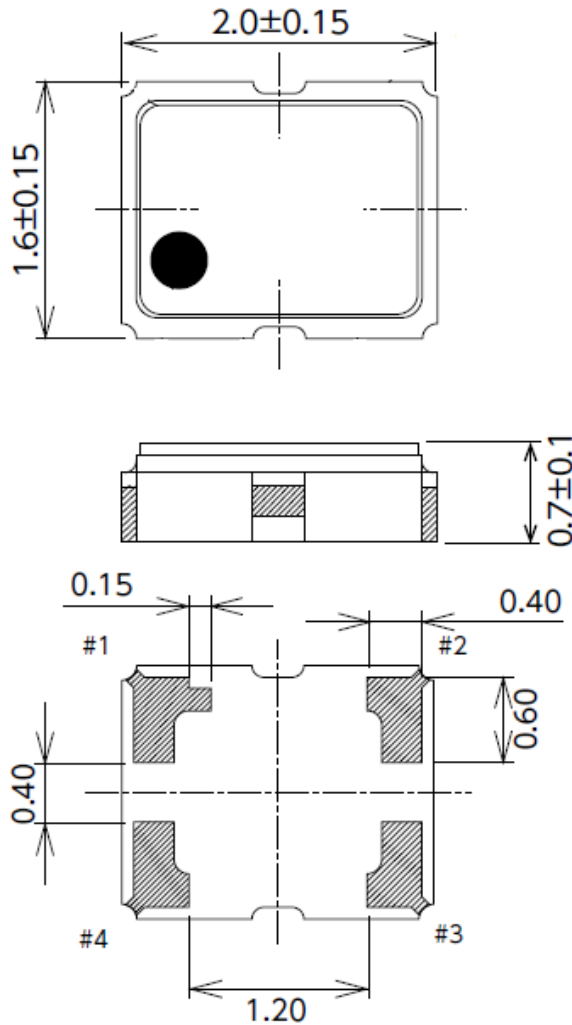


Environmental Conditions	Operable Temperature	-30		+85	°C	
	Storage Temperature	-40		+85	°C	
	ESD Level	Human Body Model,class2: 2000V to 4000V; ANSI/ESDA/JEDEC JS-001-2010.				
		Machine Model, class B: 200V to 400V; JEDEC JESD22-A115C.				
	Moisture Sensitivity Level	Level 2.				
	Vibration	Test Condition: 0.75mm ;acceleration:10g;10Hz~2000Hz, one cycle per 30 min, test 2 hour. (3 times for each 3 directions X , Y , Z) .IEC 68-2-06 Test Fc.				
Shock	100g; 6ms; half sine wave (3 times for each 3 directions X , Y, Z),IEC 68-2-27 Test Ea/Severity 50A.					
Full Package Storage	Relative humidity (%)	20% ~70%				
	Temperature (°C)	-10~35°C				

DAPU Confidential



2. Mechanical Structure(mm)

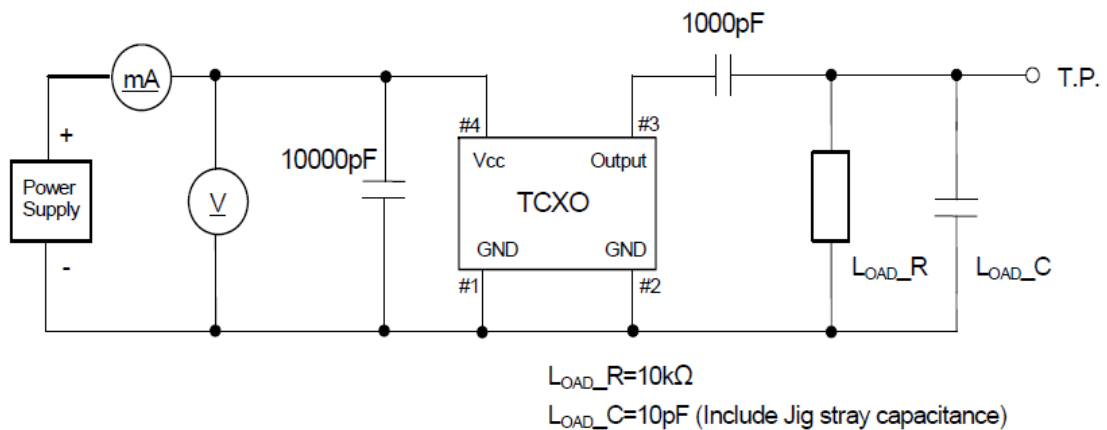


PIN FUNCTION

PIN	FUNCTION
1	GND
2	GND
3	OUTPUT
4	VCC

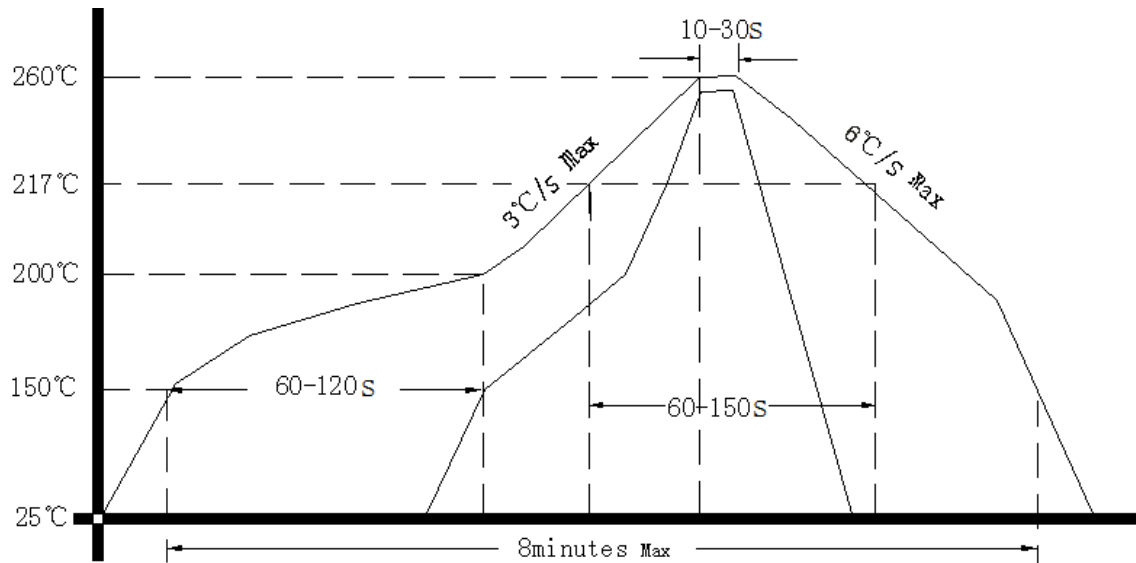
Note1: Tolerance ±0.1mm without mark

3. Test Circuit





4. Reflow Soldering Curve (RoHS)



5. Package: Tape & Reel (mm)

