

Travelling Merchant: S029

DATASHEET

Standard: T11A-I429-10.00MHz

Plot			The Label
Drew	Audited	Approved	Stamp, please! Thanks!
Date:			

Guangdong Dapu Telecom Technology Co.,Ltd

Bldg13-16,.N.Ind.Zone,SSL Industry Park, Dongguan City, Guangdong Province, China

TEL: 0086-0769-88010888 FAX: 0086-0769-81800098

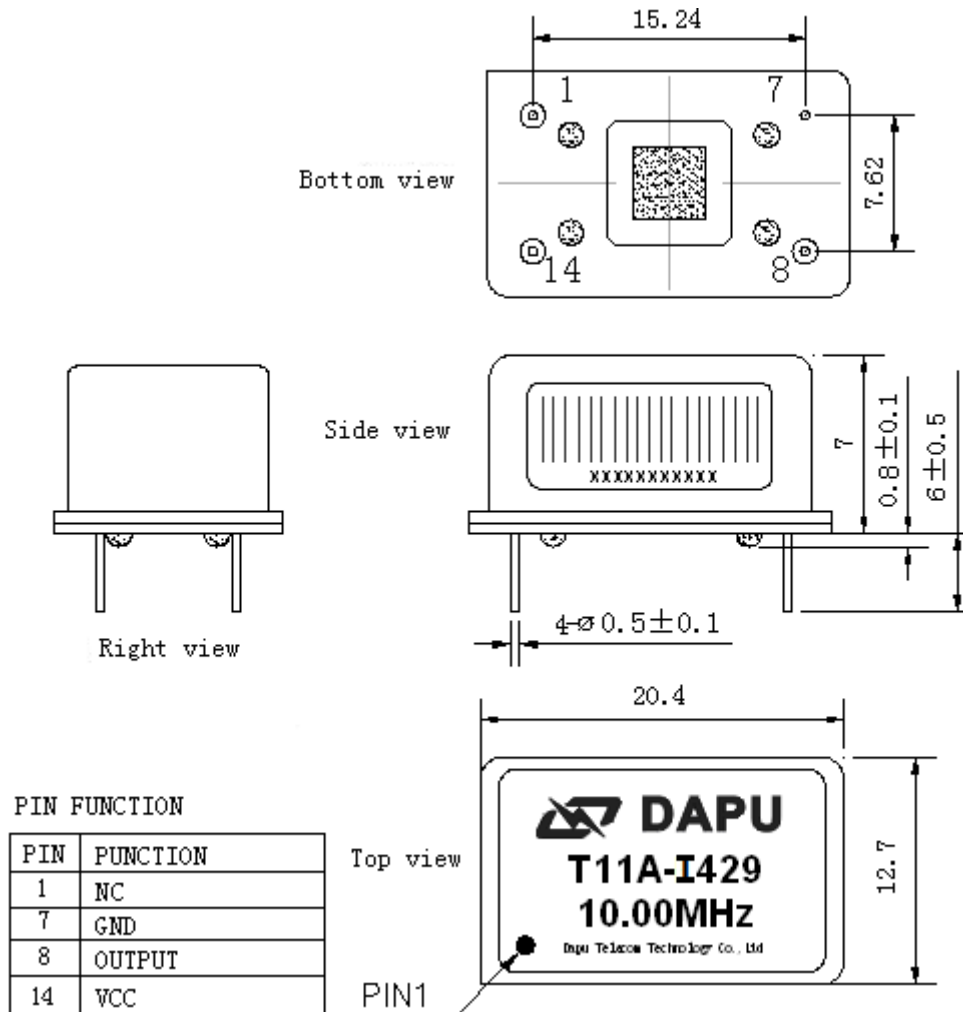


1、Electrical Parameters

MODEL: T11A-I429-10.00MHz						
Item	Description	Parameters			Unit	Test Condition
		Min.	Typ.	Max.		
Output	Frequency	10.00			MHz	
	Output Waveform	Sine Wave				
	Vp-p	1.0			V	
	Harmonics Suppression			-30	dBc	
	Spurious Suppression			-60	dBc	
	Load	50			Ω	
Frequency Stabilities	Frequency Tolerance vs. Operating Temperature Range	-1		+1	ppm	T_A varied from -20°C to 75°C , measurement referenced to frequency observed with $T_A = 25^{\circ}\text{C}$, $V_{cc}=5.0\text{V}$, $O_{load}=50\Omega$.
	Initial Frequency Tolerance	-1		+1	ppm	Measurement referenced to frequency observed with $T_A = 25^{\circ}\text{C}$, $V_{cc}=5.0\text{V}$, and after 5s of operation, within 30 days after ex-works.
	Frequency Tolerance vs. Supply Voltage	-0.2		+0.2	ppm	measurement referenced to frequency observed $T_A=25^{\circ}\text{C}$, V_{cc} varied from 4.75V to 5.25V, and $O_{Load}=50\Omega$.
	Frequency Tolerance vs. Load	-0.2		+0.2	ppm	5% load change measurement referenced to frequency observed with $T_A=25^{\circ}\text{C}$, $V_{cc}=5.0\text{V}$. $O_{load}=50\Omega$
	Aging Tolerance Per Day	-0.02		+0.02	ppm	$T_A=25^{\circ}\text{C}$, $V_{cc}=5.0\text{V}$, and after 1h of operation.
	Aging Tolerance 1Year	-1		+1	ppm	
Power Supply	Current Consumption			7	mA	@ 25°C , $V_{cc}=5.0\text{V}$, $O_{Load}=50\Omega$.
	Supply Voltage	4.75	5.0	5.25	V	
Phase Noise	Phase Noise		-135		dBc/Hz	1KHz
Environmental Conditions	Operable Temperature	-20		+75	$^{\circ}\text{C}$	
	Storage Temperature	-40		+85	$^{\circ}\text{C}$	
	Vibration	Test Condition: 0.75mm ;acceleration:10g;10Hz~2000Hz, one cycle per 30 min, test 2 hour. (3 times for each 3 directions X , Y , Z), IEC 68-2-06 Test Fc				
	Shock	100g; 6ms; half sine wave (3 times for each 3 directions X,Y, Z),IEC 68-2-27 Test Ea/Severity 50A.				



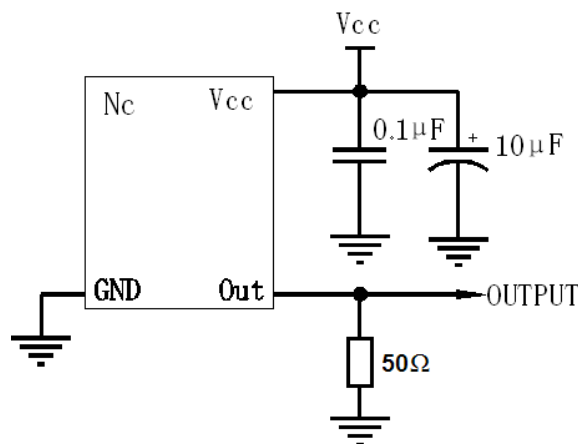
2、Mechanical Structure(mm)



Note1: Tolerance ±0.2mm without mark

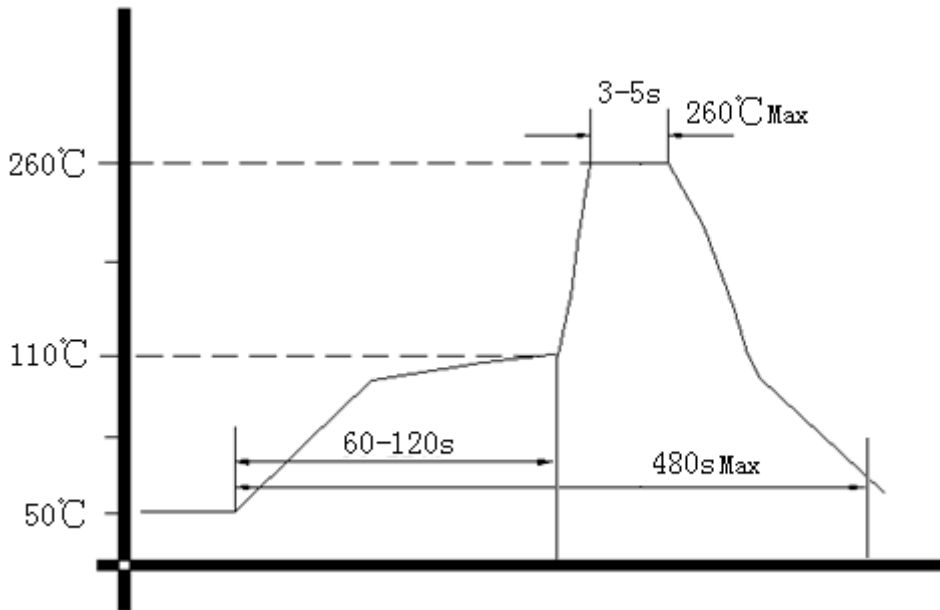
Note2: Referential Weight 4.1g

3、Test Circuit





4、 Wave Soldering Curve (RoHS)



5、 Package: PVC Tube,10pcs (mm)

