

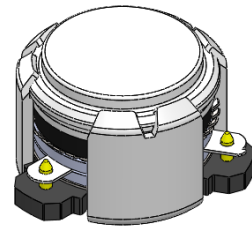


DP3827C

ENG PART: DP-10.2CM-4800T6000-CW

4800MHz to 6000MHz Single-Junction Surface Mount Circulator

REV.	DESCRIPTION	REVISOR	DATE	APPROVED
A	SAME AS REV.1	ZZ.Zhu	2025/3/24	Nick

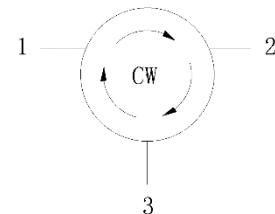


Applications:

- Wireless Infrastructure
- Power Amplifier

Features:

- Operating frequency range:4800MHz to 6000MHz
- Operating temperature range: -40°C to +85°C
- Storage temperature range: -50°C to +105°C
- Small surface-mount package delivered on T&R
- BeOfree&RoHS compliant



Block Diagram



Electrical Specifications:

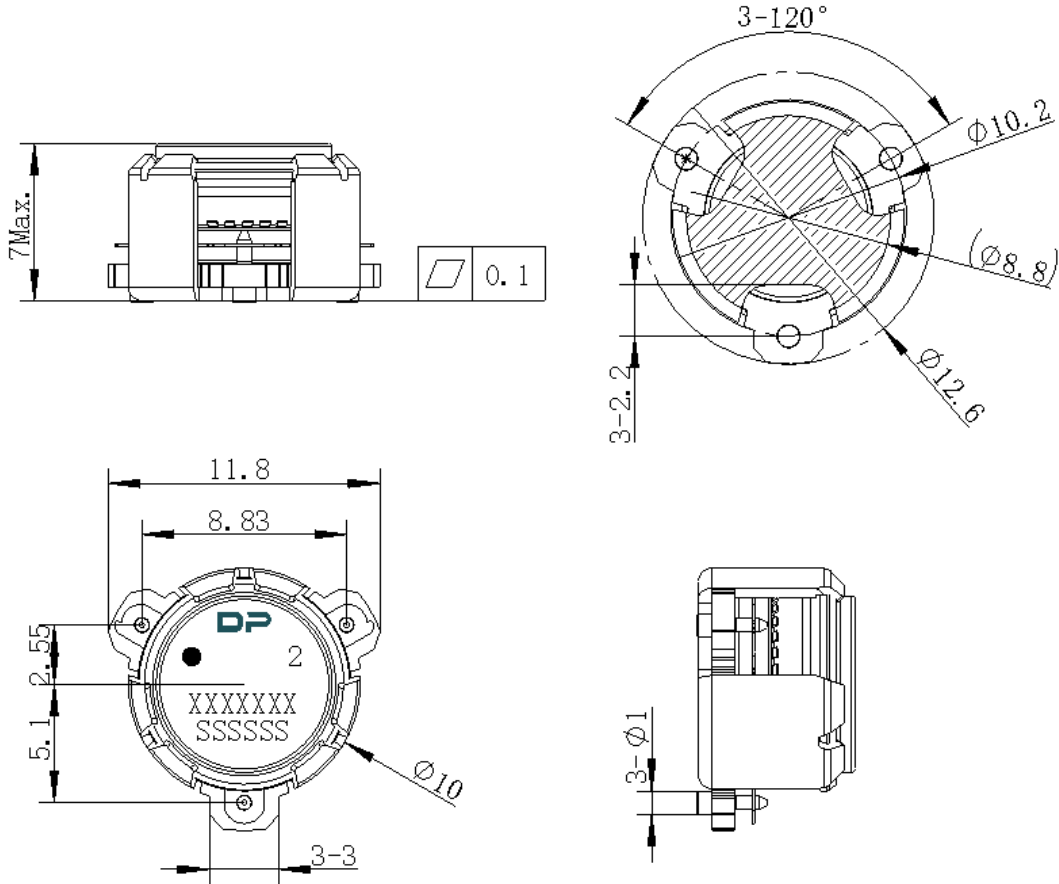
ITEM	SPECIFICATION	
Frequency	4800~6000	MHz
Direction	CW	
Impedance	Typ: 50	Ω
Insertion Loss (Max.)	0.5@25±5°C 0.6@-40~+85°C	dB
Isolation (Min.)	17@25±5°C 16@-40~+85°C	dB
Return Loss (Min.)	17@25±5°C 16@-40~+85°C	dB
3rd IMD (Max.)	/	dBc
5th IMD (Max.)	/	dBc
2nd Harmonics	/	dB
3rd Harmonics	/	dB
Group delay	/	ns
Power FWD/REV/PEAK	50/30/300	W
Impedance(real)	/	Ω
Impedance (imaginary)	/	j Ω
Termination/Attenuator	-/-	W/dB
No resonance during	/	

Notes:

1. Exposure to maximum rating conditions for extended periods may reduce device reliability. There is no damage to device with only one parameter set at the limit and all other parameters set at or below their nominal value. Exceeding any of the limits listed here may result in permanent damage to the device.
2. Performance is guaranteed under the conditions listed in this table and over the operating temperature range.
3. Performance will not degrade by > 10% (Insertion loss > 20%) with an operating temperature of up to 130 °C.



Mechanical Specifications:



Unit: Millimeters

Notes:

1. The housing and pins are silver-plated.
2. Tolerance ± 0.2 mm unless otherwise specified.
3. Co-planarity Specification: 0.1mm maximum.
4. Part Number, Lot Code, and Port Designation are printed on the top side of device.
5. Part Number format shall be XXXXXXX
6. Serial Number format shall be SSSSS
7. The black dot on the label represents the input port