

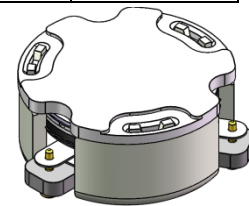


DP3726C

ENG PART:DP-15.5CM-3410T3800-CCW

3410MHz to 3800MHz Single-Junction Surface Mount Circulator

| REV. | DESCRIPTION | REVISOR | DATE | APPROVED |
|------|---------------|---------|-----------|----------|
| A | SAME AS REV.1 | ZZ.Zhu | 2025/3/24 | Nick |

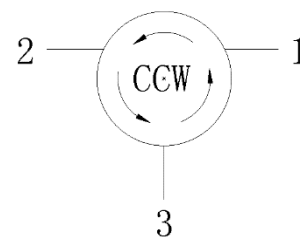


Applications:

- Wireless Infrastructure
- Power Amplifier

Features:

- Operating frequency range: 3410MHz to 3800MHz
- Operating temperature range: -40°C to +125°C
- Storage temperature range: -50°C to +125°C
- Small surface-mount package delivered on T&R
- BeO free & RoHS compliant



Block Diagram

**Electrical Specifications:**

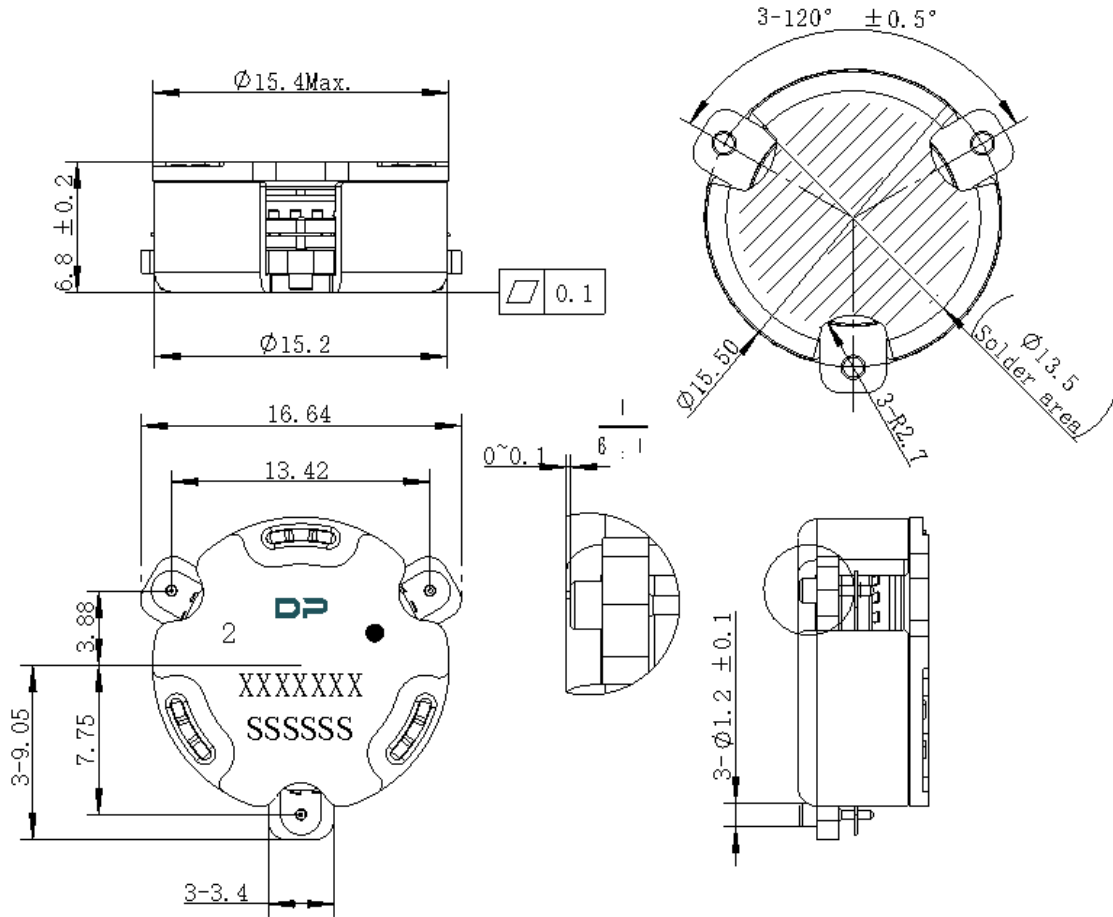
| ITEM | SPECIFICATION | |
|---|--|----------|
| Frequency | 3410~3800 | MHz |
| Direction | CCW | |
| Impedance | Typ: 50 | Ω |
| Insertion Loss (Max.) | 0.20@-40~+115 $^{\circ}$ C 0.25@+115~+125 $^{\circ}$ C | dB |
| Isolation (Min.)(P2-P1) | 23 | dB |
| Return Loss (Min.) | 23@0~125 $^{\circ}$ C 20@-40~0 $^{\circ}$ C | dB |
| 3rd IMD (Max.) | -69@2x50W , 1MHz spacing | dBc |
| 5th IMD (Max.) | -79@2x50W , 1MHz spacing | dBc |
| Harmonics | 60@2 x TX (100W CW) 60@ 3 x TX (100W CW) | dBc |
| Out of bandattenuation | 20@2xTX 10@3xTX 5@nxTX | dB |
| Group delay | 0.4~2.0 | ns |
| Deviation from nominal delay over temperature range | ± 0.05 (Measured with fixed frequency) | ns |
| Reciprocity | -0.05~+0.05 @Delta(S21 / S32) within any 10 $^{\circ}$ C temperature range | dB |
| | -1~+1 @Delta(S21 / S32) within any 10 $^{\circ}$ C temperature range | Deg |
| Power FWD/REV/PEAK | 150/100/1500 | W |
| Max voltage rating | 1080 | V |
| Input Impedance (real) | 50 \pm 2.5(the reference point at Isolator Pad) | Ω |
| Input Impedance (Imaginary) | -2.5j~+2.5j(the reference point at Isolator Pad) | Ω |
| Output Impedance (real) | 50 \pm 2.5(the reference point at Isolator Pad) | Ω |
| Output Impedance (Imaginary) | -2.5j~+2.5j(the reference point at Isolator Pad) | Ω |
| Resonance out of | 2630~4580 | MHz |
| Termination/Attenuator | /- | W/dB |

Notes:

1. Exposure to maximum rating conditions for extended periods may reduce device reliability. There is no damage to device with only one parameter set at the limit and all other parameters set at or below their nominal value. Exceeding any of the limits listed here may result in permanent damage to the device.
2. Performance is guaranteed under the conditions listed in this table and over the operating temperature range.



Mechanical Specifications:



Unit: Millimeters

Notes:

1. The housing and pins are silver-plated.
2. Tolerance ± 0.2 mm unless otherwise specified.
3. Co-planarity Specification: 0.1 mm maximum.
4. Part Number, Lot Code, and Port Designation are printed on the top side of device
5. The XXXXXXX on the label represents the part number
6. The SSSSSS on the label represents the serial number
7. The black dot on the label represents the input port



Packaging Style:

| ITEM | Ψ | A0 | B0 | K0 | D | E | F | F2 | P | P0 | P2 | Γ |
|------|------|-------|-------|------|------|------|-------|------|------|------|------|-------|
| DM | 44 | Φ14.5 | Φ17.2 | 7.3 | Φ1.5 | 1.75 | 20.2 | 40.5 | 28 | 4 | 2 | 0.5 |
| TOLE | ±0.3 | ±0.2 | ±0.2 | ±0.2 | +0.1 | ±0.1 | ±0.15 | ±0.1 | ±0.1 | ±0.1 | ±0.1 | ±0.05 |

