

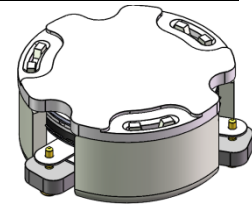


DP3725C

ENG PART:DP-15.5CM-3410T3800-CW

3410MHz to 3800MHz Single-Junction Surface Mount Circulator

REV.	DESCRIPTION	REVISOR	DATE	APPROVED
A	Creating datesheet	ZZ.Zhu	2025/3/24	Nick

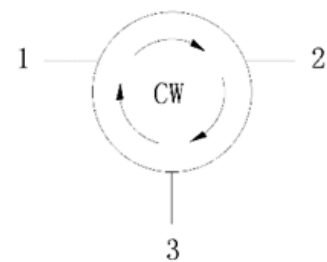


Applications:

- Wireless Infrastructure
- Power Amplifier

Features:

- Operating frequency range: 3410MHz to 3800MHz
- Operating temperature range: -40°C to +125°C
- Storage temperature range: -50°C to +125°C
- Small surface-mount package delivered on T&R
- BeOfree&RoHS compliant



Block Diagram

**Electrical Specifications:**

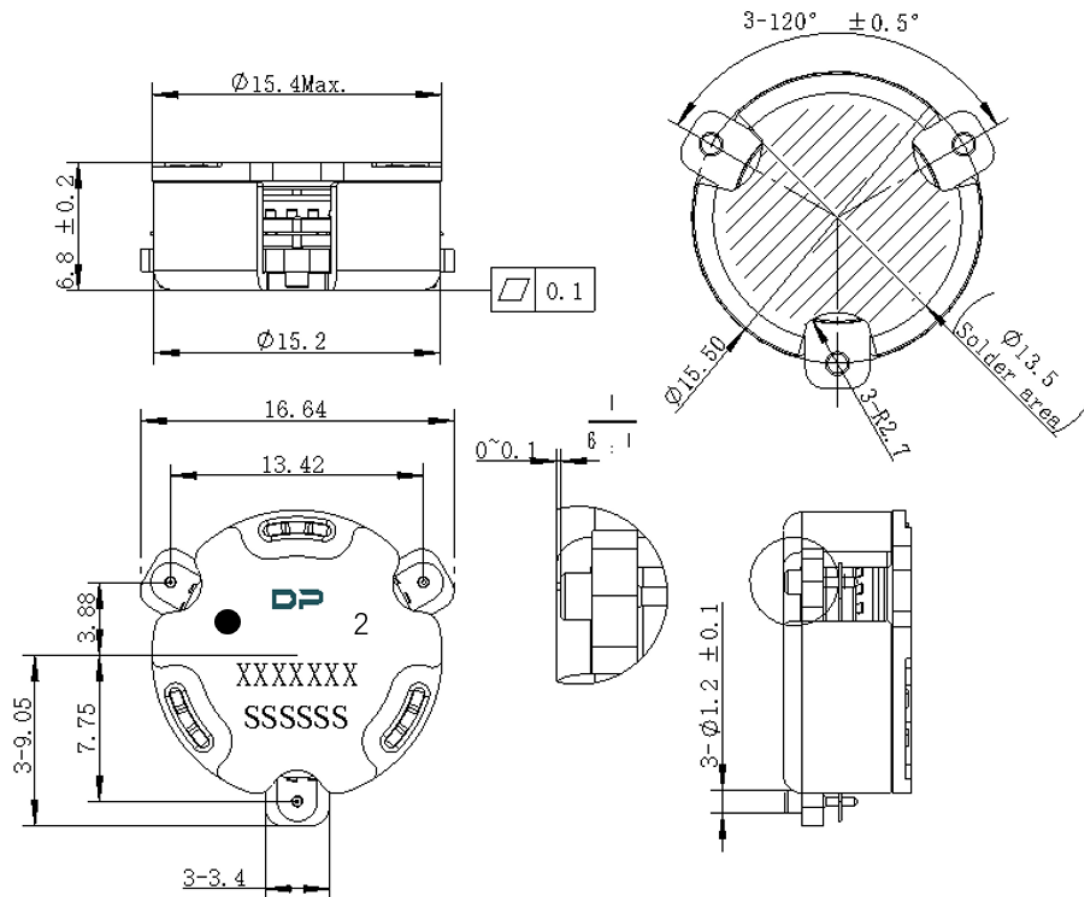
ITEM	SPECIFICATION	
Frequency	3410~3800	MHz
Direction	CW	
Impedance	Typ: 50	Ω
Insertion Loss (Max.)	0.20@-40~+115 $^{\circ}$ C 0.25@+115~+125 $^{\circ}$ C	dB
Isolation (Min.)(P2-P1)	23	dB
Return Loss (Min.)	23@0~125 $^{\circ}$ C 20@-40~0 $^{\circ}$ C	dB
3rd IMD (Max.)	-69@2x50W , 1MHz spacing	dBc
5th IMD (Max.)	-79@2x50W , 1MHz spacing	dBc
Harmonics	60@2 x TX (100W CW) 60@ 3 x TX (100W CW)	dBc
Out of bandattenuation	20@2xTX 10@3xTX 5@nxTX	dB
Group delay	0.4~2.0	ns
Deviation from nominal delay over temperature range	± 0.05 (Measured with fixed frequency)	ns
Reciprocity	-0.05~+0.05 @Delta(S21 / S32) within any 10 $^{\circ}$ C temperature range	dB
	-1~+1 @Delta(S21 / S32) within any 10 $^{\circ}$ C temperature range	Deg
Power FWD/REV/PEAK	150/100/1500	W
Max voltage rating	1080	V
Input Impedance (real)	50 \pm 2.5(the reference point at Isolator Pad)	Ω
Input Impedance (Imaginary)	-2.5j~+2.5j(the reference point at Isolator Pad)	Ω
Output Impedance (real)	50 \pm 2.5(the reference point at Isolator Pad)	Ω
Output Impedance (Imaginary)	-2.5j~+2.5j(the reference point at Isolator Pad)	Ω
Resonance out of	2630~4580	MHz
Termination/Attenuator	/-	W/dB

Notes:

1. Exposure to maximum rating conditions for extended periods may reduce device reliability. There is no damage to device with only one parameter set at the limit and all other parameters set at or below their nominal value. Exceeding any of the limits listed here may result in permanent damage to the device.
2. Performance is guaranteed under the conditions listed in this table and over the operating temperature range.



Mechanical Specifications:



Unit: Millimeters

Notes:

1. The housing and pins are silver-plated.
2. Tolerance ± 0.2 mm unless otherwise specified.
3. Co-planarity Specification: 0.1mm maximum.
4. Part Number, Lot Code, and Port Designation are printed on the top side of device
5. The **XXXXXXX** on the label represents the part number
6. The **SSSSSS** on the label represents the serial number
7. The black dot on the label represents the input port



Packaging Style:

ITEM	W	A0	B0	K0	D	E	F	F2	P	P0	P2	T
DM	44	Φ14.5	Φ17.2	7.3	Φ1.5	1.75	20.2	40.5	28	4	2	0.5
TOL	±0.3	±0.2	±0.2	±0.2	+0.1	±0.1	±0.15	±0.1	±0.1	±0.1	±0.1	±0.05

