



DP3793C

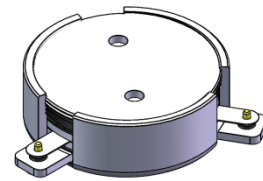
ENG PART:DP-28.4CM-851T870-CW

851MHz to 870MHz Single-Junction Surface Mount Circulator

REV.	DESCRIPTION	REVISOR	DATE	APPROVED
A	SAME AS REV.1	ZZ.Zhu	2025/3/13	Nick

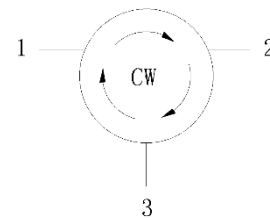
Applications:

- Wireless Infrastructure
- Power Amplifier



Features:

- Operating frequency range: 851MHz to 870MHz
- Operating temperature range: -30°C to +90°C
- Storage temperature range: -55°C to +150°C
- Small surface-mount package delivered on T&R
- BeO free & RoHS compliant



Block Diagram



Electrical Specifications:

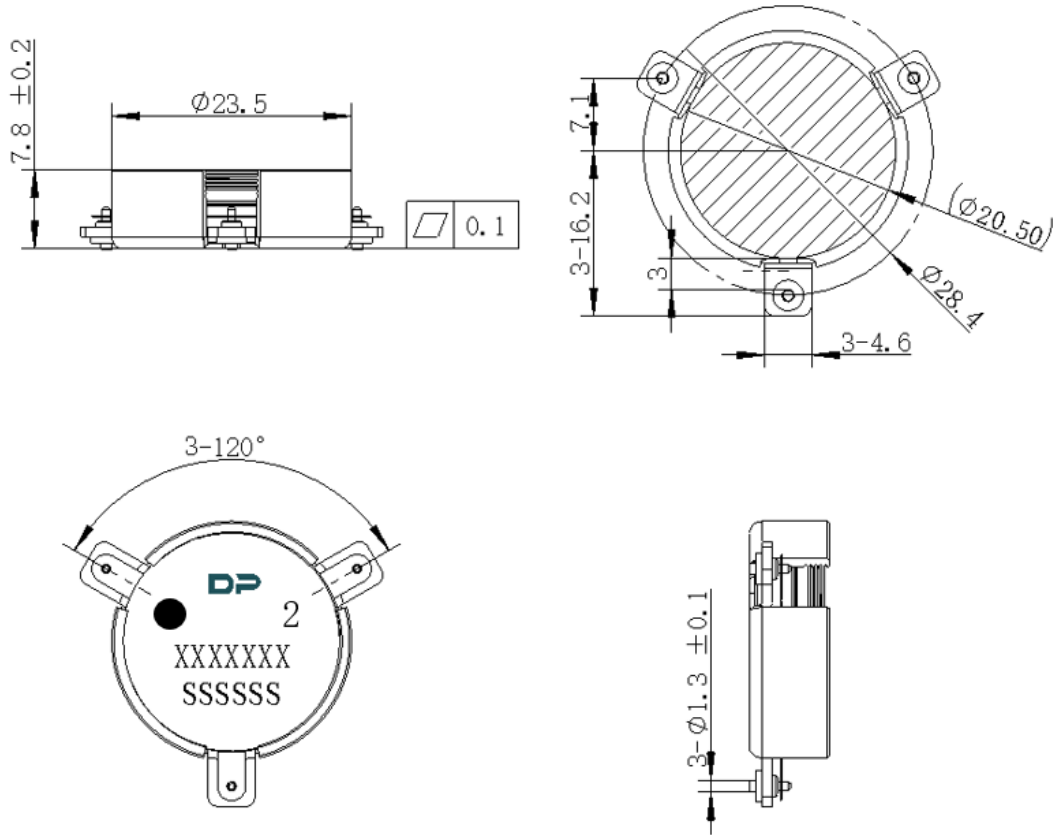
ITEM	SPECIFICATION	
Frequency	851~870	MHz
Direction	CW	
Impedance	Typ: 50	Ω
Insertion Loss (Max.)	0.20@25°C 0.22@-30~+90°C	dB
Isolation (Min.)	25@25°C 23@-30~+90°C	dB
Return Loss (Min.)	25@25°C 23@-30~+90°C	dB
FWD 3rd IMD (Max.)	-75@2x47dBm, CW Tones spacing 5MHz	dBc
Group delay	/	ns
2nd harmonic suppression	/	dBc
3rd harmonic suppression	/	dBc
Power FWD/REV/PEAK	150/-/1200	W
Input Impedance ,real	/	Ω
Input Impedance ,imaginary	/	Ω
Out-off-band resonance point	/	

Notes:

1. Exposure to maximum rating conditions for extended periods may reduce device reliability. There is no damage to device with only one parameter set at the limit and all other parameters set at or below their nominal value. Exceeding any of the limits listed here may result in permanent damage to the device.
2. Performance is guaranteed under the conditions listed in this table and over the operating temperature range.
3. Performance will not degrade by > 10% (Insertion loss > 20%) with an operating temperature of up to 130 °C.



Mechanical Specifications:



Unit: Millimeters

Notes:

1. The housing and pins are silver-plated.
2. Tolerance ± 0.2 mm unless otherwise specified.
3. Co-planarity Specification: 0.1 mm maximum.
4. Part Number, Lot Code, and Port Designation are printed on the top side of device.
5. The **XXXXXXX** on the label represents the part number
6. The **SSSSSS** on the label represents the serial number
7. The black dots represent the input ports

Packaging Style:



ITEM	W	A0	B0	K0	D	E	F	F2	P	P0	P2	T
DM	44	Φ23.8	-	8.4	Φ1.5	1.75	20.2	40.5	48	4	2	0.5
TOLE	±0.3	±0.2	±0.2	+0.2	+0.1	±0.1	±0.15	±0.1	±0.1	±0.1	±0.1	±0.05

