

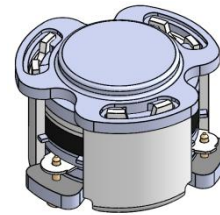


DPMX3717C

ENG PART:DP-7.0CM-2500T2700-CW

2500MHz to 2700MHz Single-Junction Surface Mount Circulator

REV.	DESCRIPTION	REVISOR	DATE	APPROVED
A	SAME AS REV.1	ZZ.Zhu	2025/2/12	Nick
B	Changed the PIN from 1.0mm to 0.8mm	ZC.Wu	2025/2/26	Nick

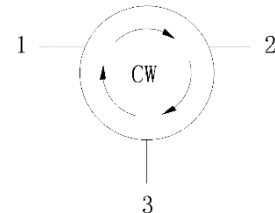


Applications:

- Wireless Infrastructure
- Power Amplifier

Features:

- Operating frequency range: 2500MHz to 2700MHz
- Operating temperature range: -40°C to +100°C
- Storage temperature range: -40°C to +100°C
- Small surface-mount package delivered on T&R
- BeOfree&RoHS compliant



Block Diagram



Electrical Specifications:

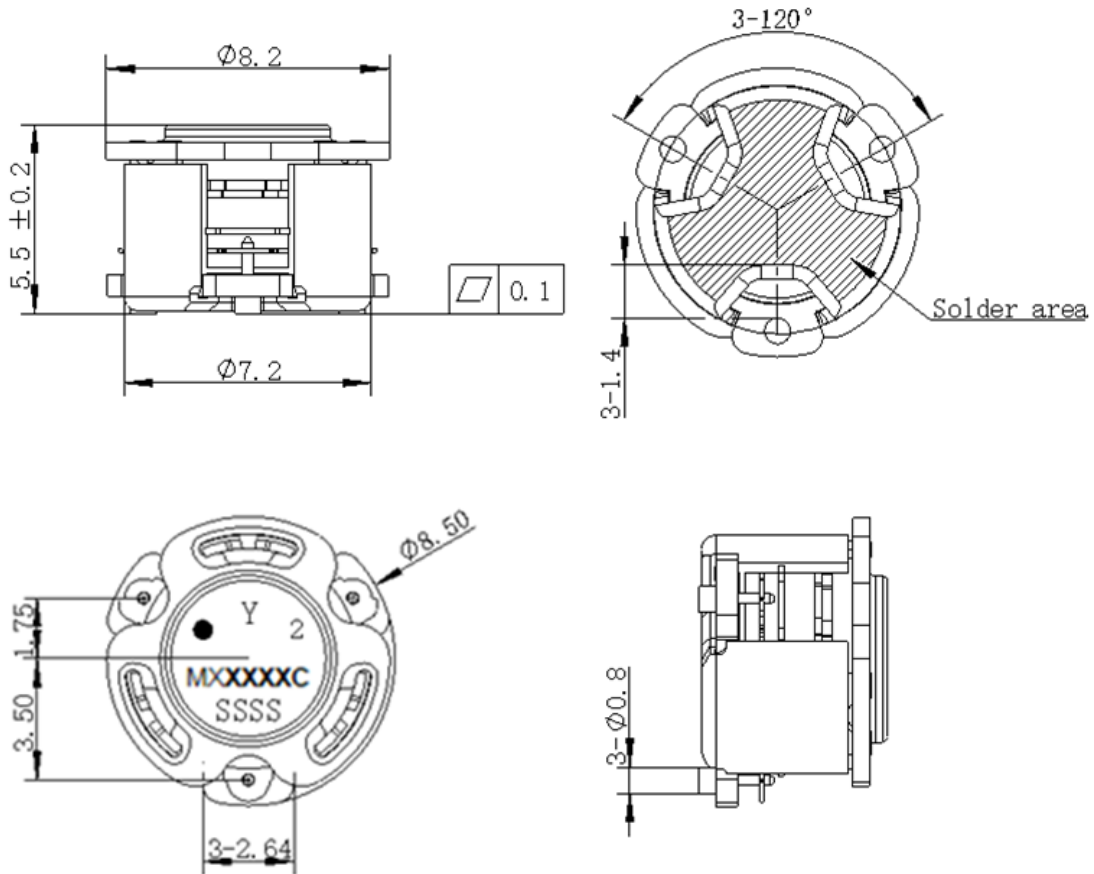
ITEM	SPECIFICATION	
Frequency	2500~2700	MHz
Direction	CW	
Impedance	Typ: 50	Ω
Insertion Loss (Max.)	0.35@25±5℃ 0.45@-40~+100℃	dB
Insertion Loss Ripple (Max.)	/	dB
Isolation (Min.)	21@25±5℃ 18@-40~+100℃	dB
Return Loss (Min.)	21@25±5℃ 18@-40~+100℃	dB
3rd IMD (Max.)	-60@2x34dBm CW tones, 5MHz spacing	dBc
Group delay	/	ns
2nd harmonic rejection (Min.)	/	dB
3rd harmonic rejection (Min.)	/	dB
Power FWD/REV/PEAK	30/30/200	W
Termination/Attenuator	/	W/dB
Phase flatness	/	°

Notes:

1. Exposure to maximum rating conditions for extended periods may reduce device reliability. There is no damage to device with only one parameter set at the limit and all other parameters set at or below their nominal value. Exceeding any of the limits listed here may result in permanent damage to the device.
2. Performance is guaranteed under the conditions listed in this table and over the operating temperature range.



Mechanical Specifications:



Unit: Millimeters

Notes:

1. The housing and pins are silver-plated.
2. Tolerance ± 0.2 mm unless otherwise specified.
3. Co-planarity Specification: 0.1mm maximum.
4. The "Y" show on the label represents the producing year, when printing the producing year, A stands for 2022, B for 2023, C for 2024, and soon (reference DP's file WDPT PD-003).
5. The MXXXXXC on the label represents the Part Number
6. The SSSS on the label represents the serial number
7. The black dot on the label represents the input port