

Customer Code: _____

DATASHEET

DAPU P/N: CM55F-K122-10.00MHz-S664

Customer P/N: _____

Plot			The Label
Drew	Audited	Approved	Stamp, please! Thanks!
Date: 2024.08.20			

Guangdong Dapu Telecom Technology Co.,Ltd

Building 5, No.24, Industrial East Road, Songshanhu Park, Dongguan, Guangdong, P.R. China

TEL: 0086-0769-88010888 FAX: 0086-0769-81800098



1. Electrical Parameters

	Parameters	Min.	Typ.	Max.	Unit.	Test Condition	
1 PPS Reference Input	Waveform	HCMOS					
	High-Level Output Voltage (V_{IH})	2.7			V	50Ω	
	Low-Level Output Voltage (V_{IL})			0.4	V		
	Pulse Width	10			μs		
	Connector	Pin 10					
State Input	Parameters	Min.	Typ.	Max.	Unit.	Test Condition	
	Lock	2.7			V	<5mA Load	
	Holdover			0.4	V	<5mA Load	
	Connector	Pin 8					
RF Output	Parameters	Min.	Typ.	Max.	Unit.	Test Condition	
	Nominal Frequency	10.00			MHz		
	Waveform	HCMOS					
	High-level Output Voltage (V_{OH})	2.7			V	< 5mA Load	
	Low-level Output Voltage (V_{OL})			0.4	V	< 5mA Load	
	Rise/Fall Time			8	ns	Load 15pF	
	Duty Cycle	45	50	55	%	Load 15pF	
	Accuracy	-1		+1	$\times 10^{-12}$	24 hours average when locked to 1 PPS	
	Frequency vs. Temperature	-0.2		+0.2	$\times 10^{-9}$	$V_{cc}=5V; O_{load}=15pF; T_A$ varies from $-10^{\circ}C$ to $70^{\circ}C$, temperature slope less than $2^{\circ}C$ per minute.	
	Short-term Stability			0.02	$\times 10^{-9}$	Temperature stability, no EMI/EMC or other interference, test after power for 1 hour ref. to $25^{\circ}C$; 1s	
	Aging Tolerance Per Day	-0.2		+0.2	$\times 10^{-9}$	V_{cc}, T_A constant measurement referenced to frequency observed with $T_A=25^{\circ}C, V_{cc}=5.0V$, in FREE RUN condition and after 30 days of operation.	
	Aging Tolerance 1 Year	-0.01		+0.01	$\times 10^{-6}$		
	Phase Noise (All conditions)			-118	-113	dBc/Hz	10Hz
				-138	-133		100Hz
			-148	-143	1KHz		
			-150	-145	10KHz		
			-150	-145	100KHz		



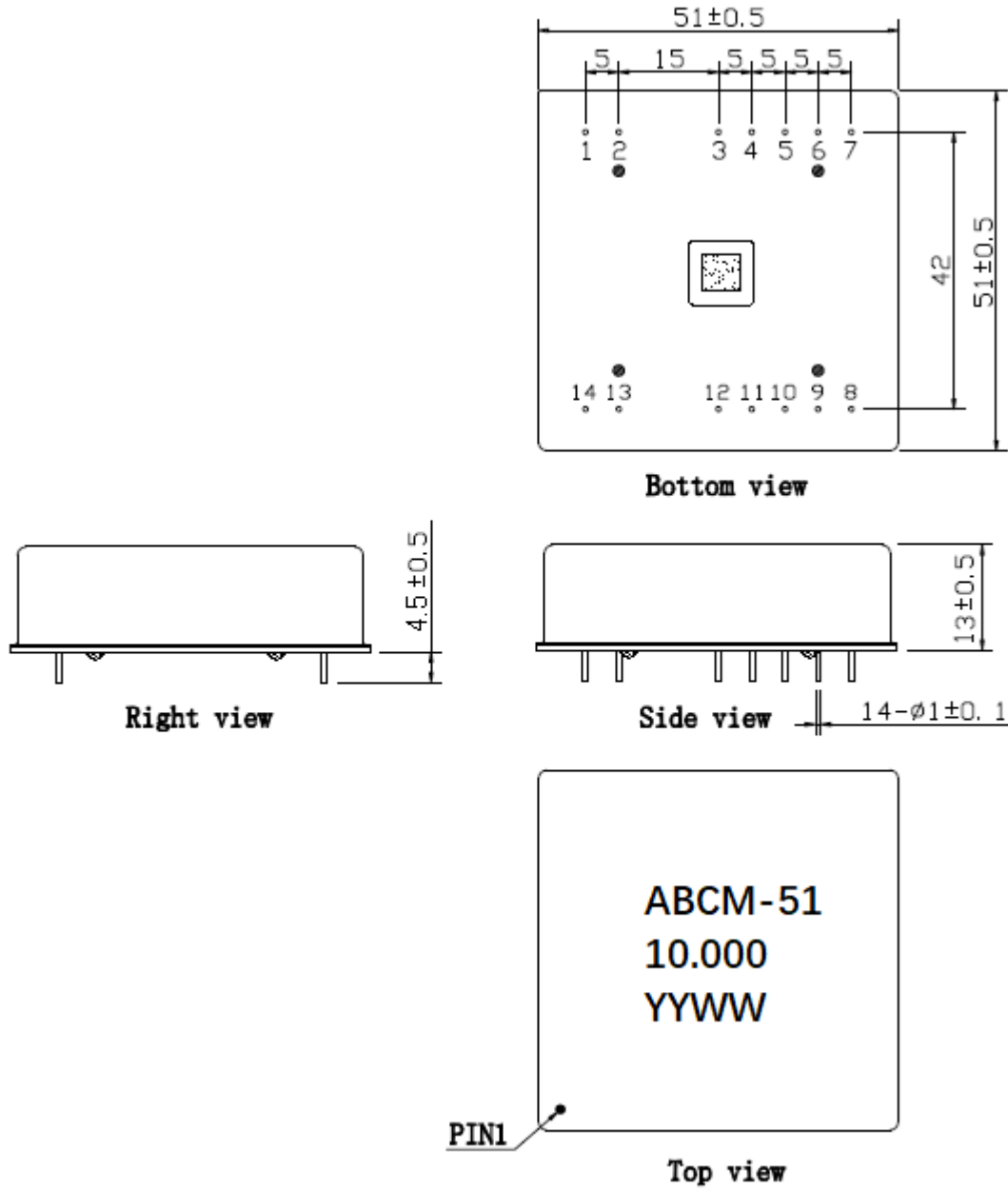
			-150	-150		1MHz
	Connector	Pin 14				
Holdover Capability	Holdover Time	Min.	Typ.	Max.	Unit.	Test Condition
	24 Hours	-1.5		+1.5	μs	ΔT=±2°C, 24 hours holdover after turn on 7days and lock 3days. Temperature variable speed less than 1°C per minute
Supply Voltage	Parameters	Min.	Typ.	Max.	Unit.	Test Condition
	Supply Voltage	4.75	5.0	5.25	V	
	Current Consumption			1400	mA	During Warm-up
				600	mA	During steady state operation @25°C
	AC Ripple			50	mVpk-pk	10Hz to 1MHz
Connector	Pin 3					
1 PPS Output Waveform Characteristics	Parameters	Min.	Typ.	Max.	Unit.	Test Condition
	Waveform	HCMOS				
	High-Level Output Voltage(V _{OH})	2.7			V	50Ω
	Low-level Output voltage (V _{OL})			0.4	V	
	Pulse Width	10			μs	
	Phase accuracy	-50		50	ns	When the CM is locked and stable, the 1PPS output is the divided OCXO frequency output.
	Connector	Pin 12				
State Output	Parameters	Min.	Typ.	Max.	Unit.	Test Condition
	Lock	2.7			V	<5mA Load
	Holdover			0.4	V	<5mA Load
	Connector	Pin 5				
Serial Interfaces	Parameters	Min.	Typ.	Max.	Unit.	Test Condition
	Rx high-level Input Voltage (V _H)	2.7			V	
	Rx low-level Input Voltage (V _L)			0.4	V	



	Tx high-level Output Voltage (VH)	2.7			V
	Tx low-level Output Voltage (VL)			0.4	V
	Serial Protocol	9600-N-8-1			
	Connector	Pin6 and Pin7			
Environmental Conditions	Parameter	Conditions			
	Operating Temperature	-10°C to 70°C			
	Storage Temperature	-55°C to 105°C			
	Storage Humidity	30%~80%			
	ESD Level	Human Body Model, class2: 2000V to 4000V; ANSI/ESDA/JEDEC JS-001-2010.			
		Machine Model, class B: 200V to 400V; JEDEC JESD22-A115C.			
	Moisture Sensitivity Level	Not humidity sensitive.			
	Vibration	Test Condition: 0.75mm ;acceleration:10g;10Hz~500Hz, one cycle per 30 min, test 2 hours. (3 times for each 3 directions X , Y , Z), IEC 68-2-06 Test Fc.			
Shock	50g; 11ms; half sine wave (3 times for each 3 directions X , Y , Z),IEC 68-2-27 Test Ea/Severity 50A.				
Full Package Storage	Relative humidity (%)	20%~70%			
	Temperature (°C)	-10~35°C			



2. Mechanical Structure(mm)

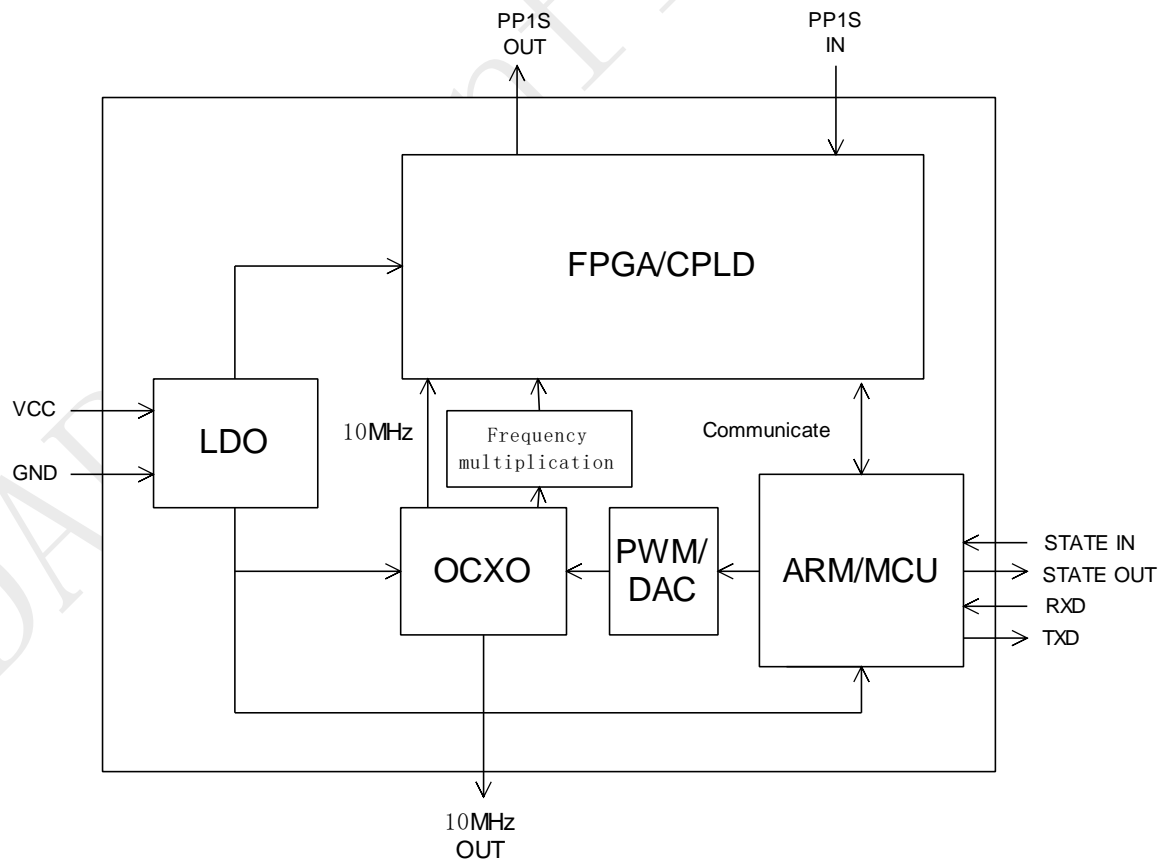


- Note1:** Tolerance ± 0.2 mm without mark
- Note2:** Referential Weight 52 ± 5 g
- Note3:** The first two YY representative: year
After two WW representative: week



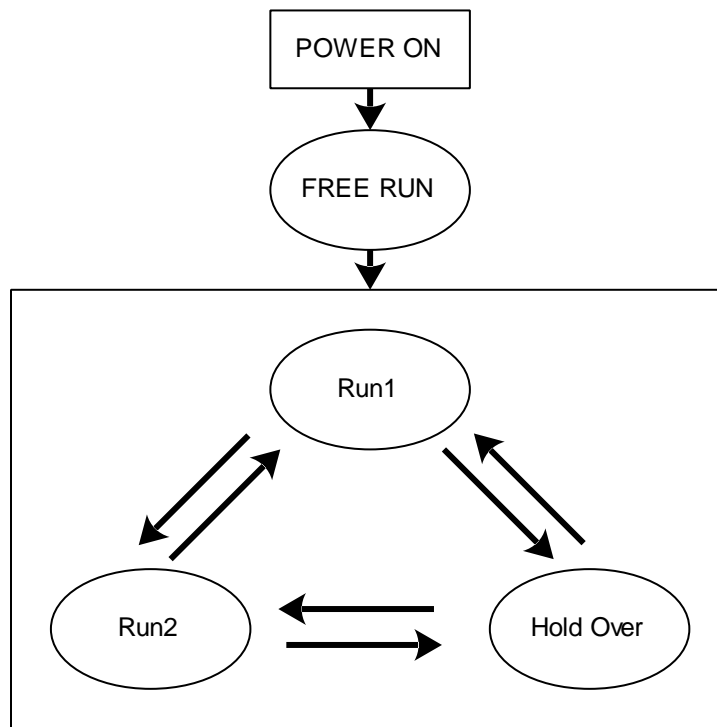
PIN DEFINITION			
PIN	NAME	DESCRIPTION	
3	VCC	Power supply input, 4.75V to 5.25V.	
5	State OUTPUT	State output. Output high level when the CM is locked and stable, others low level.	
6	RX INPUT	Asynchronous serial data input. 9600-N-8-1.	
7	TX OUTPUT	Asynchronous serial data output.9600-N-8-1.	
8	State INPUT	H: Lock	The work state is set to normal operation when the state input is high.
		L: Holdover	The work state is set to hold over when the state input is low.
10	1PPS INPUT	1PPS reference input.	
12	1PPS OUTPUT	The clock module 1PPS output .Power on, the 1 PPS output is the reference 1PPS in; When the CM is locked and stable, the 1PPS output is the divided OCXO frequency output.	
14	10MHz OUTPUT	10MHz OCXO frequency output .	
1、2、9	NC	Not connected.	
4、11、13	GND	GND	

3. Functional Block Diagram





4. Workflow Diagram



Run1: Fast track. Adjust the OCXO 10MHz output frequency quickly to track the 1PPS of 10MHz with 1PPS reference.
Run2: Slow track. Adjust the OCXO 10MHz output frequency slowly when the phase error is in the define range.
Hold Over: GPS 1PPS reference miss, an algorithm has been developed which enables adaptive modeling of the frequency stability of an OCXO with reference to a GPS timing signal.
Free Run: Clock module power on without 1PPS reference anyway.



5. The Product Test Output Message

Example:

\$PDP,00,0,F,Q,-3095,32768.0000,32768.0000,000,000,00000.0000,00000.0000,00000.0000,00000.0000,3-23,+000.0000,-000,www.iqdfq.com,1.1,2011-05-16*55

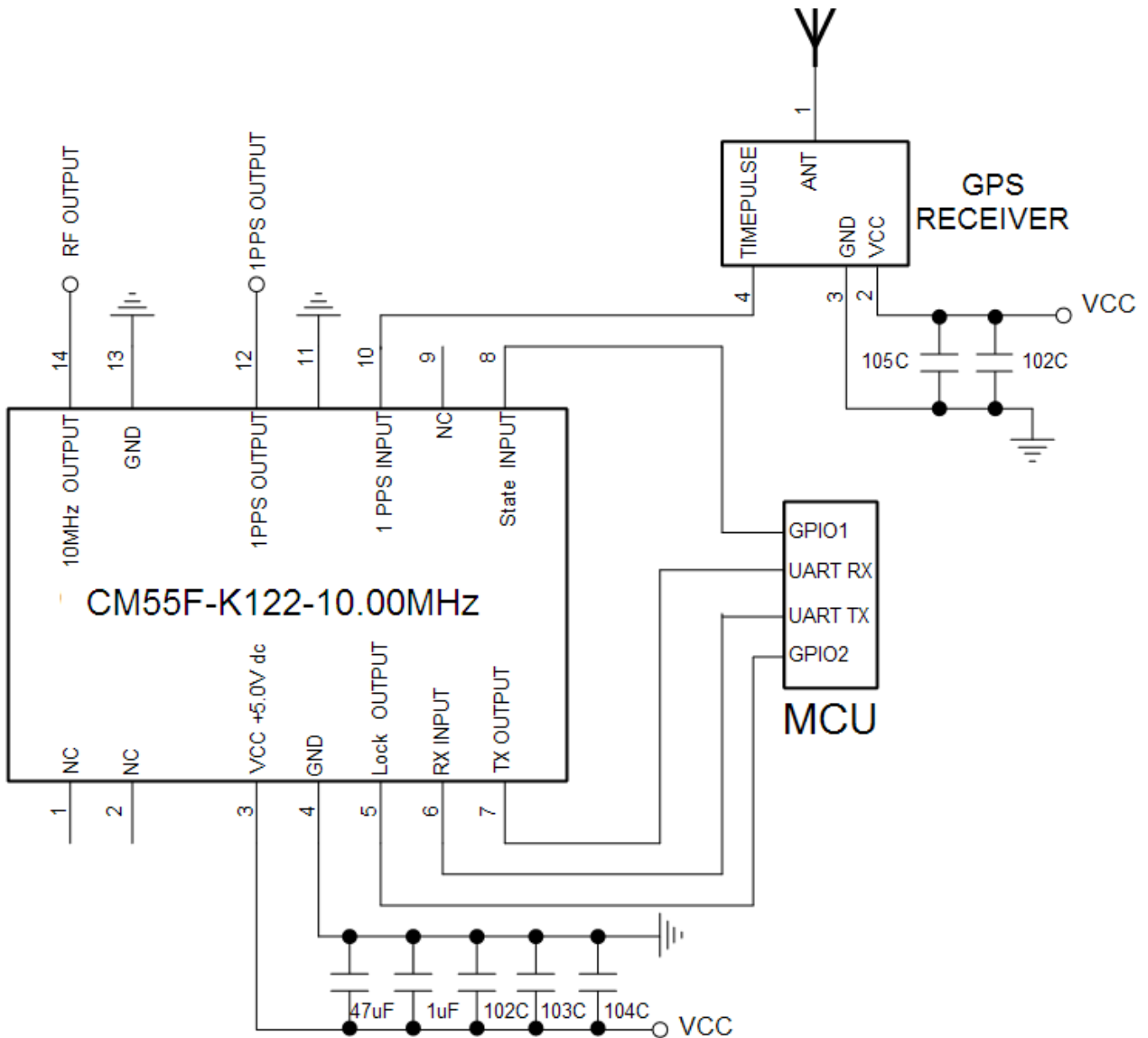
Notes:

In the Format column, c stand for char ,d stand for digit, s stand for sign.

Field No.	Name	Format	Description	Length (byte)
0	\$PDP	\$ccc	Message ID, DAPU Telecom Technology protocol header	4
1	No	dd	Message No.	2
2	TxRxFlag	d	The transmit and receive flag.(0: upper computer transmit; 1: upper computer receive)	1
3	CStatus	c	Current status.(F: warm-up; L: Lock; H: Hold over)	1
4	TrackStatus	d	Track status (Q: fast track;S: slow track)	1
5	cPHDiff	sdddd	Current phase difference	5
6	cPWM1	dddd.dddd	Current PWM1 (Voltage-controlled value1)	10
7	cPWM2	dddd.dddd	Current PWM2 (Voltage-controlled value2)	10
8	SYNCNT	ddd	The synchronous times	3
9	HCNT	ddd	Hours after enter slow track	3
10	HPAVG	dddd.dddd	The average of the PWM in the last 1 hour	10
11	VCH1	dddd.dddd	Voltage-controlled compensation value every 1 hour	10
12	HPMOD	dddd.dddd	The Module PWM Value	
13	VCM10	dddd.dddd	Voltage-controlled compensation value every 10 minutes	10
14	POS	d-dd	The position of the product.(Layer-No), just for the inner test.	4
15	inT	sddd.dddd	NA	9
16	TcPHDiff	sdddd	The product current phase difference	5
17	Website		www.iqdfq.com	13
18	Version	d.d	version	3
19	Date	dddd-dd-dd	Date	10
20		dd	55	2
21	END		<CR><LF>	2



6. Application Information



GPS RECEIVER supplies 1PPS signal to the clock module CM55F.

The MCU Monitors the work state of CM55F.

The CM55F is operated with a supply of 5V.

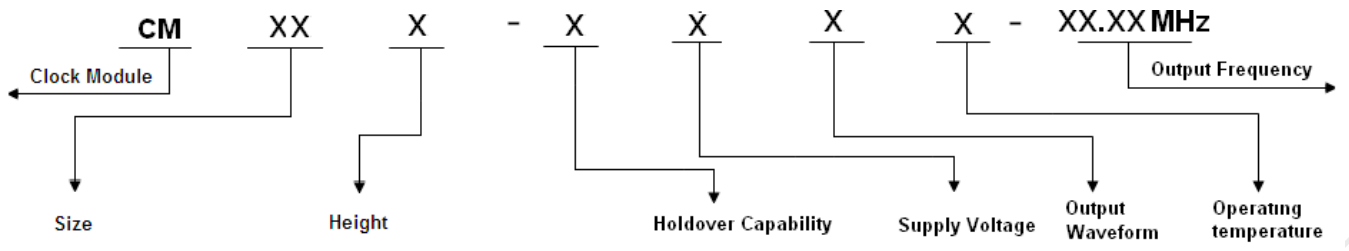
Note1: Power on more than seven days is necessary for the OCXO drift fast in the first four days.

Note2: The adaptive model can be built with at least two days good GPS signal. Every time power off will lose the model.

Note3: The work state is set to hold over when the state input is low, no matter the GPS 1PPS effective or not.

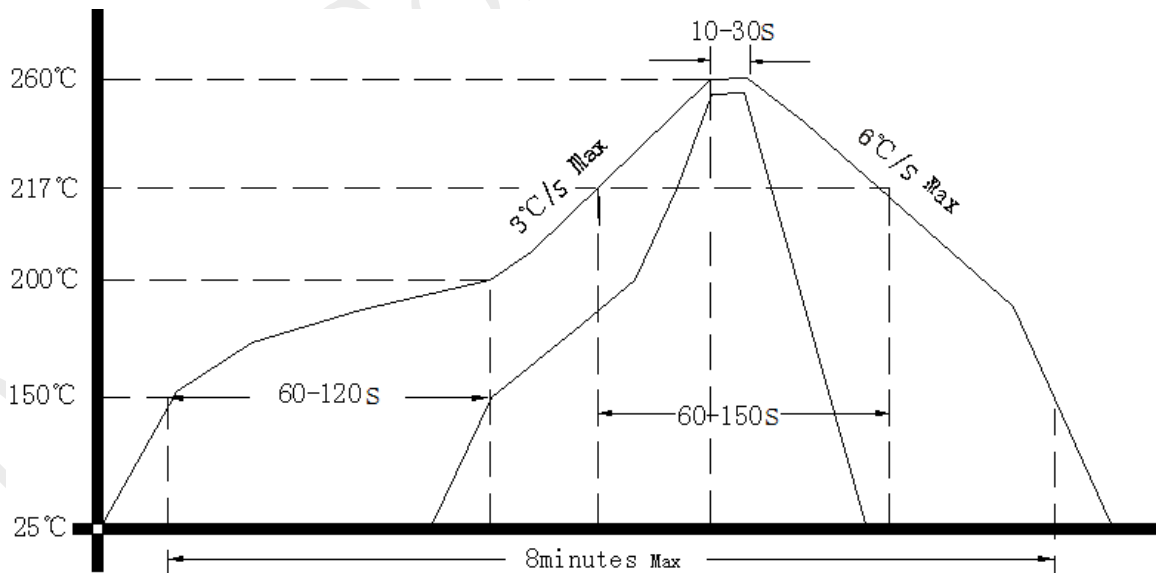


7. Coding Rules



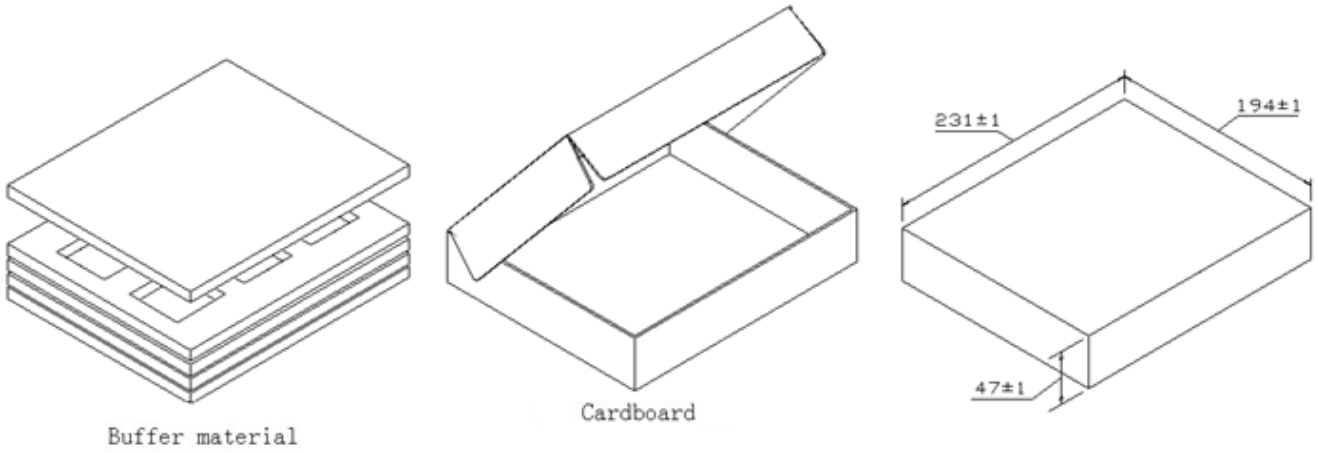
Size	Height	Holdover Capability	Supply Voltage	Output Waveform	Operating temperature
55 50×50 (mm)	A 19mm, single Freq, external GPS receiver	A ±1.5µs 0°C~60°C 24hours	1 5.0V	1 Sine Wave 2 HCMOS	1 0°C~80°C 2 -10°C~70°C 9 -20°C~75°C
66 60×60 (mm)	B 19mm, single Freq, internal GPS receiver	B ±3.0µs 0°C~60°C 24hours			
65 65×65 (mm)	C 19mm, single Freq, internal dual-mode receiver	C ±8.0µs 0°C~60°C 24hours			
	F 13mm, single Freq, external GPS receiver	D ±1.5µs ΔT=±5°C 24hours			
	G 13mm, single Freq, external GPS receiver	E ±3.0µs ΔT=±5°C 24hours			
	H 13mm, dual-Freqs, internal GPS receiver	F ±8.0µs ΔT=±5°C 24hours			
	K 13mm, single Freq, internal dual-mode receiver	G ±1.5µs ΔT=±5°C 8hours			
	L 13mm, dual-Freqs, internal dual-mode receiver	H ±3.0µs ΔT=±5°C 8hours			
		I ±8.0µs ΔT=±5°C 8hours			
		K ±1.5µs ΔT=±2°C 24hours			
		M ±3.0µs ΔT=±2°C 24hours			
		N ±8.0µs ΔT=±2°C 24hours			
		O ±1.5µs ΔT=±2°C 8hours			
		P ±3.0µs ΔT=±2°C 8hours			
		Q ±8.0µs ΔT=±2°C 8hours			

8. Reflow Soldering Curve (RoHS)





9. Package (mm)



DAPU Confidential