



DP3708C

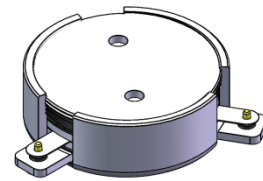
ENG PART:DP-28.4CM-2300T2400-CCW

2300MHz to 2400MHz Single-Junction Surface Mount Circulator

REV.	DESCRIPTION	REVISOR	DATE	APPROVED
A	Creating datasheet	ZZ.Zhu	2025/1/23	Nick

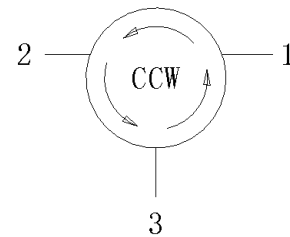
Applications:

- Wireless Infrastructure
- Power Amplifier



Features:

- Operating frequency range: 2300MHz to 2400MHz
- Operating temperature range: -40°C to +125°C
- Storage temperature range: -55°C to +150°C
- Small surface-mount package delivered on T&R
- BeOfree&RoHS compliant



Block Diagram



Electrical Specifications:

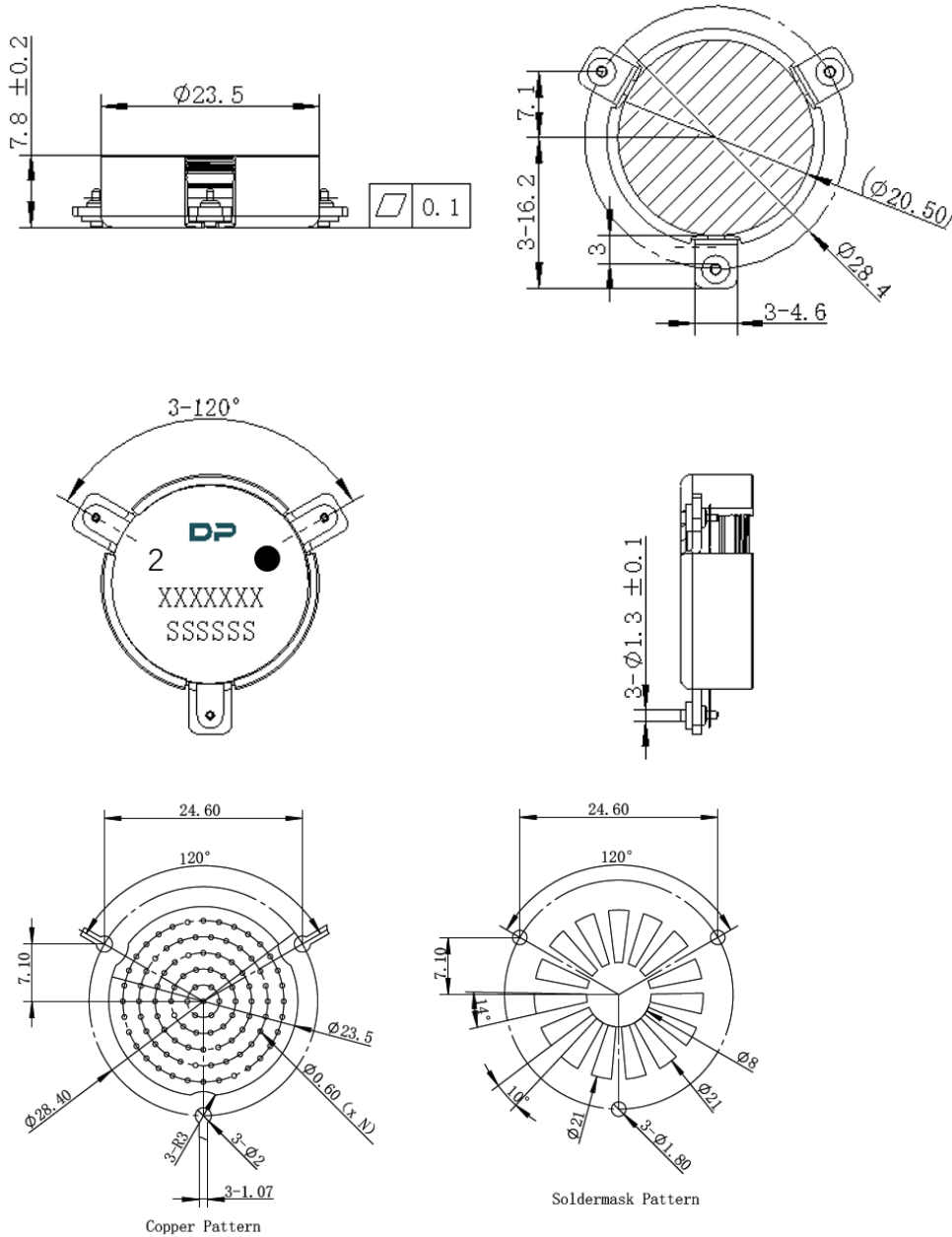
ITEM	SPECIFICATION	
Frequency	2300~2400	MHz
Direction	CCW	
Impedance	Typ: 50	Ω
Insertion Loss (Max.)	0.25@25±5°C 0.30@-40~+125°C	dB
Isolation (Min.)	23@25±5°C 21@-40~+125°C	dB
Return Loss (Min.)	23@25±5°C 21@-40~+125°C	dB
FWD 3rd IMD (Max.)	-65@2x46.5dBm CW Spacing 1MHz	dBc
Group delay	-	ns
2nd harmonic suppression	-	dBc
3rd harmonic suppression	-	dBc
Power FWD/REV/PEAK	200/200/1500	W
Ripple of group delay in extend frequency	-	ns
Input Impedance ,real	-	Ω
Input Impedance ,imaginary	-	Ω
Resonance point out-off-band	-	

Notes:

1. Exposure to maximum rating conditions for extended periods may reduce device reliability. There is no damage to device with only one parameter set at the limit and all other parameters set at or below their nominal value. Exceeding any of the limits listed here may result in permanent damage to the device.
2. Performance is guaranteed under the conditions listed in this table and over the operating temperature range.



Mechanical Specifications:



Unit: Millimeters

Notes:

1. The housing and pins are silver-plated.
2. Tolerance ± 0.2 mm unless otherwise specified.
3. Co-planarity Specification: 0.1mm maximum.
4. Part Number, Lot Code, and Port Designation are printed on the top side of device.
5. The **XXXXXXX** on the label represents the part number
6. The **SSSSSS** on the label represents the serial number
7. The black dots represent the input ports



Packaging Style:

ITEM	W	A0	B0	K0	D	E	F	F2	P	P0	P2	T
DM	56	Φ24.2	-	8.4	Φ1.5	1.75	26.25	52.5	40	4	2	0.5
TOLE	±0.3	±0.2	±0.2	-0.2	+0.1	±0.1	±0.15	±0.1	±0.1	±0.1	±0.1	±0.05

