



## DP3693S

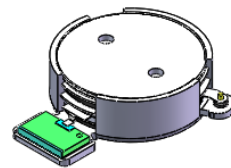
### ENG PART:DP-27.28IM-615T652-CW

615MHz to 652MHz Single-Junction Surface Mount Isolator

REV.	DESCRIPTION	REVISOR	DATE	APPROVED
A	SAME AS REV.1	ZZ.Zhu	2025/1/24	Nick

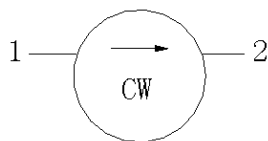
#### Applications:

- Wireless Infrastructure
- Power Amplifier



#### Features:

- Operating frequency range: 615MHz to 652MHz
- Operating temperature range: -40°C to +125°C
- Storage temperature range: -40°C to +125°C
- Small surface-mount package delivered on T&R
- BeO free & RoHS compliant



Block Diagram

**Electrical Specifications:**

ITEM	SPECIFICATION	
Frequency	615~652	MHz
Direction	CW	
Impedance	Typ: 50	$\Omega$
Insertion Loss (Max.)	0.30@615~652MHz	dB
Isolation (Min.)	20@615~652MHz 15@595~672MHz 10@580~687MHz 8@545~722MHz 6@510~757MHz	dB
Return Loss (Min.)	23@615~652MHz (0~+125℃) 20@615~652MHz (-40~0℃) 16@595~672MHz 6@580~687MHz 3@545~722MHz -@510~757MHz	dB
3rd IMD (Max.)	-65@2x50W CW tones	dBc
5th IMD (Max.)	-75@2x50W CW tones	dBc
Harmonics	0@2x f 100W CW -10@3x f 100W CW -10@4x f 100W CW -35@5x f 100W CW -25@6x f 100W CW -25@7x f 100W CW	dBm
Out of band attenuation	10@2x f 5@3x f 5@nx f (n=order of in- band frequency multiple)	dB
Group delay	0.5~4	ns
Deviation from nominal delay	$\pm 0.05$	ns
Power FWD/REV/PEAK	130/80/1300	W
Max voltage rating	1080	V
Impedance control (the reference point at Isolator Pad) , real	/	$\Omega$
Impedance control (the reference point at Isolator Pad) , imaginary	/	j $\Omega$
Termination/Attenuator	150/-	W/dB
No resonance during	505~762MHz	

Notes:



**GuangdongDapuTelecomTechnologyCo.,Ltd**

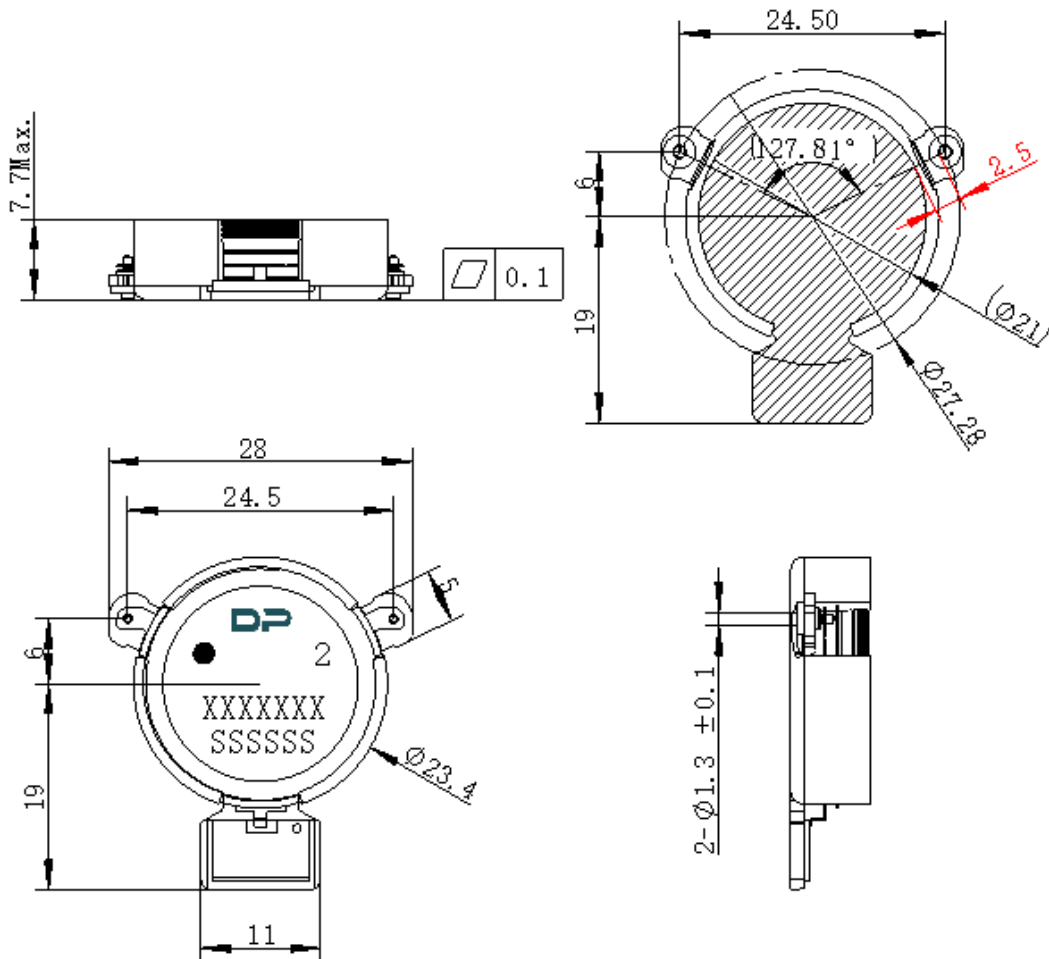
**<http://www.dptel.com>**

Bldg13-16,.N.Ind.Zone,SSLIndustry  
Park,DongguanCity,Guangdong  
Province,PRChina  
TEL:0086-0769-88010888  
FAX:0086-0769-81800098

- 
1. Exposure to maximum rating conditions for extended periods may reduce device reliability. There is no damage to device with only one parameter set at the limit and all other parameters set at or below their nominal value. Exceeding any of the limits listed here may result in permanent damage to the device.
  2. Performance is guaranteed under the conditions listed in this table and over the operating temperature range.
  3. Performance will not degrade by > 10% (Insertion loss > 20%) with an operating temperature of up to 130 °C.



### Mechanical Specifications:



Unit: Millimeters

#### Notes:

1. The housing and pins are silver-plated.
2. Tolerance  $\pm 0.2$  mm unless otherwise specified.
3. Co-planarity Specification: 0.1 mm maximum.
4. Part Number, Lot Code, and Port Designation are printed on the top side of device.
5. Part Number format shall be XXXXXXX
6. Serial Number format shall be SSSSSS
7. The black dot on the label represents the input port



Packaging Style:

ITEM	W	A0	B0	K0	D	E	F	F2	P	P0	P2	T
DIM	56	Φ23.8	31.1	7.8	Φ1.5	1.75	26.25	52.5	44	4	2	0.5
TOLE	±0.3	±0.2	±0.2	+0.2	+0.1	±0.1	±0.15	±0.1	±0.1	±0.1	±0.1	±0.05

