

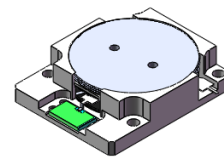


DP3688S

ENG PART:DP-31.8X38.8ID-380T512-CCW

380MHz to 512MHz Single-Junction Drop-in Isolator

REV.	DESCRIPTION	REVISOR	DATE	APPROVED
A	Creating datasheet	ZZ.Zhu	2025/1/17	Nick

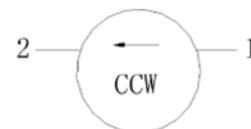


Applications:

- Wireless Infrastructure
- Power Amplifier

Features:

- Operating frequency range: 380MHz to 512MHz
- Operating temperature range: -40°C to +85°C
- Storage temperature range: -55 to +135°C
- Small surface-mount package delivered on T&R
- BeOfree&RoHS compliant



Block Diagram



Electrical Specifications:

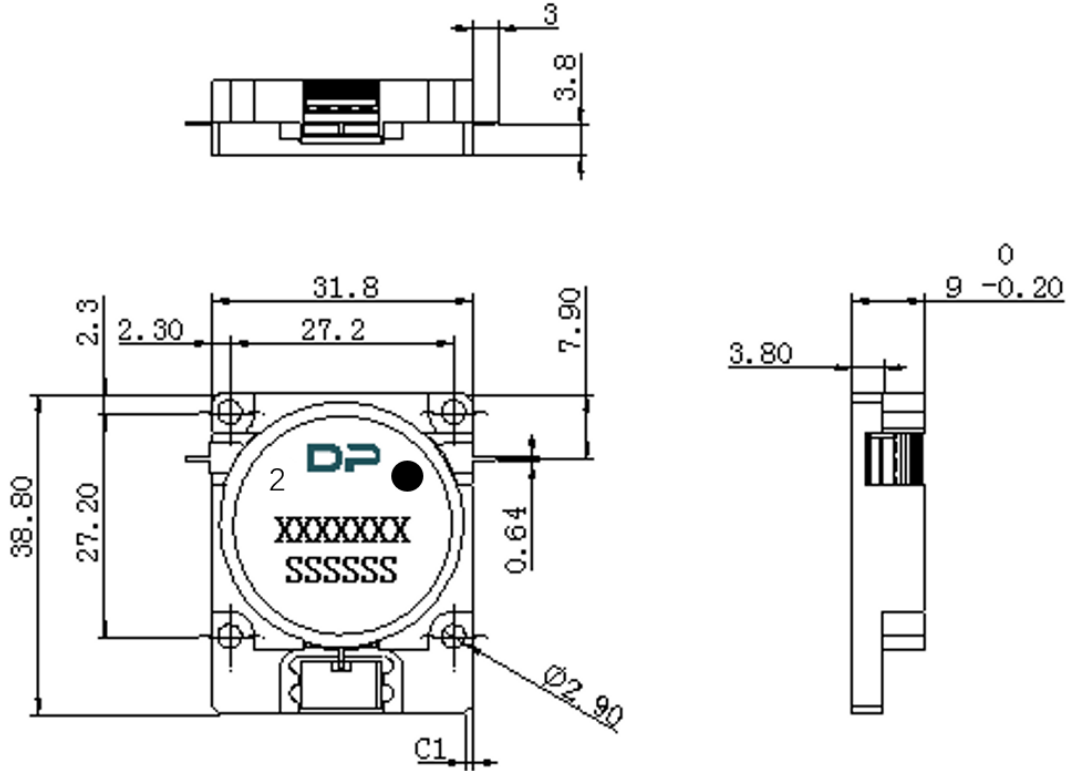
ITEM	SPECIFICATION	
Frequency	380~512	MHz
Direction	CCW	
Impedance	Typ: 50	Ω
Insertion Loss (Max.)	0.7	dB
Isolation (Min.)	12	dB
Return Loss (Min.)	12	dB
3rd IMD (Max.)	-65@2x31dBm CW tones, 5MHz spacing	dBc
2nd harmonic suppression	/	dBc
3rd harmonic suppression	/	dBc
Power FWD/REV/PEAK	200/150/1500	W
Termination/Attenuator	250/-	W/dB
Input Impedance ,real	/	Ω
Input Impedance ,imaginary	/	Ω
Output Impedance ,real	/	Ω
Output Impedance ,imaginary	/	Ω

Notes:

1. Exposure to maximum rating conditions for extended periods may reduce device reliability. There is no damage to device with only one parameter set at the limit and all other parameters set at or below their nominal value. Exceeding any of the limits listed here may result in permanent damage to the device.
2. Performance is guaranteed under the conditions listed in this table and over the operating temperature range.
3. Performance will not degrade by > 10% with operating temperature up to 130 °C.



Mechanical Specifications:



Unit: Millimeters

Notes:

1. The circuit is silver-plated.
2. Tolerance ± 0.2 mm unless otherwise specified.
3. Co-planarity Specification: 0.1 mm maximum.
4. Part Number, Lot Code, and Port Designation are printed on the top side of device.
5. The **XXXXXXX** on the label represents the part number
6. The **SSSSSS** on the label represents the serial number
7. The black dot on the label represents the input port