

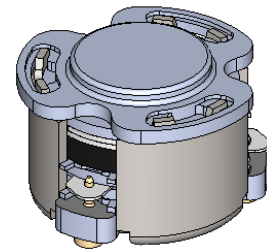


## DP3520C

### ENG PART:DP-7.0CM-2300T2690-CCW

2300MHz to 2690MHz Single-Junction Surface Mount Circulator

REV.	DESCRIPTION	REVISOR	DATE	APPROVED
A	SAME AS REV.1	ZZ.Zhu	2025/1/2	Nick

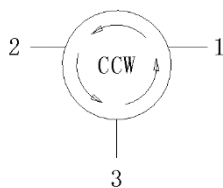


#### Applications:

- Wireless Infrastructure
- Power Amplifier

#### Features:

- Operating frequency range: 2300MHz to 2690MHz
- Operating temperature range: -40°C to +105°C
- Storage temperature range: -40°C to +125°C
- Small surface-mount package delivered on T&R
- BeO free & RoHS compliant



Block Diagram



**Electrical Specifications:**

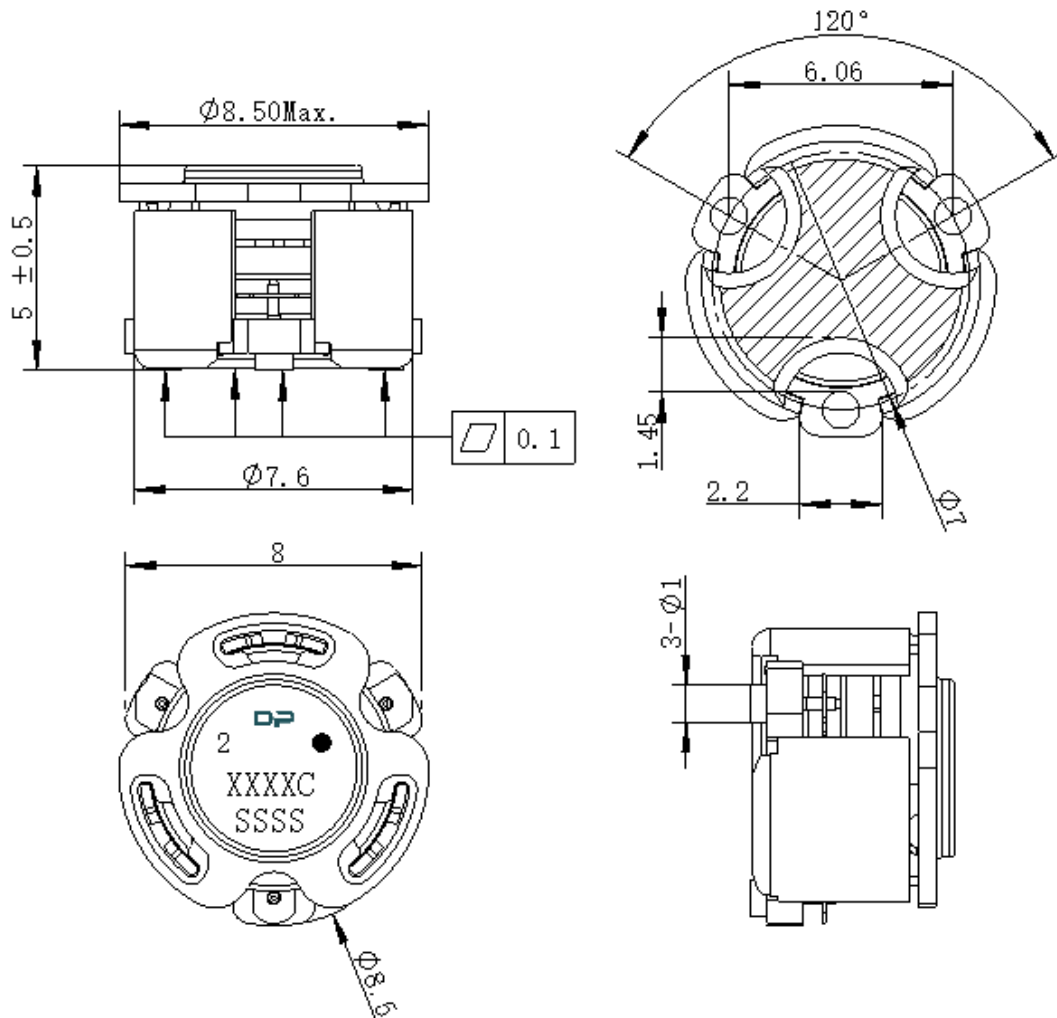
ITEM	SPECIFICATION	
Frequency	2300~2690	MHz
Direction	CCW	
Impedance	Typ: 50	$\Omega$
Insertion Loss (Max.)	0.35	dB
Isolation (Min.)	20	dB
Return Loss (Min.)	20	dB
3rd IMD (Max.)	-60@2x2.5W CW tones, 1、5、20、100、200MHz spacing	dBc
5th IMD (Max.)	TBD@2x2.5W CW tones, 1、5、20、100、200MHz spacing	dBc
Harmonics	60 @2 x Tx 5W CW, 60@N x Tx 5W CW,	dBc
Attenuation	20@2xTX 10@3xTX 5 @NxTX	dB
Group delay	0.4~2.0	ns
Reciprocity	-0.05~+0.05 @Delta(S21 / S32) within any 10 °C temperature range	dB
	-1~+1 @3xTx 20W CW	Deg
Power FWD/REV/PEAK	20/20/100	W
Resonance out of band	2100~2890	MHz
Input Impedance (Real)	/	$\Omega$
Input Impedance (Imaginary)	/	$\Omega$
Termination/Attenuator	/-	W/dB

Notes:

1. Exposure to maximum rating conditions for extended periods may reduce device reliability. There is no damage to device with only one parameter set at the limit and all other parameters set at or below their nominal value. Exceeding any of the limits listed here may result in permanent damage to the device.
2. Performance is guaranteed under the conditions listed in this table and over the operating temperature range.
3. If there's conflict between the impedance and S-parameter, prioritize the impedance requirements or check with E///.



Mechanical Specifications:



Unit: Millimeters

Notes:

1. The housing and pins are silver-plated.
2. Tolerance  $\pm 0.2$ mm unless otherwise specified.
3. Co-planarity Specification: 0.1mm maximum.
4. Part Number, Lot Code, and Port Designation are printed on the top side of device
5. The "Y" show on the label represents the producing year, when printing the producing year, A stands for 2022, B for 2023, C for 2024, and soon (reference DP's file WDPT PD-003).
6. The **XXXXC** on the label represents the last five digits of the Part Number.
7. The SSSS on the label represents the serial number
8. The black dot on the label represents the input port



**Packaging Style:**

ITEM	W	A0	B0	C0	K0	D	E	F	F2	P	P0	P2	T
DIM	32	Φ7.4	9.2	2.7	6.0	Φ1.5	1.75	14.2	28.4	20	4	2	0.5
TOLE	±0.2	±0.2	±0.2	±0.2	±0.2	+0.1	±0.1	±0.15	±0.1	±0.1	±0.1	±0.1	±0.05

