

Travelling Merchant: _____

DATASHEET

Standard: JB-T22-S563-26.00MHz

P/N: _____

Plot			The Label
Drew	Audited	Approved	Stamp, please! Thanks!
Date: 2024.12.16			

Guangdong Dapu Telecom Technology Co.,Ltd

Building 5, No.24, Industrial East Road, Songshanhu Park, Dongguan, Guangdong, P.R. China

TEL: 0086-0769-88010888 FAX: 0086-0769-81800098



Table of amendment

Version	Revision contents	Prepared by	Revised date
1.0	The first issued	<i>Amway</i>	2024.12.16



1、Electrical Parameters

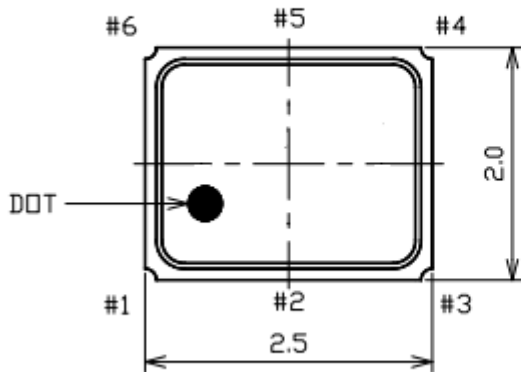
MODEL: JB-T22-S563-26.00MHz						
Item	Description	Parameters			Unit	Test Condition
		Min.	Typ.	Max.		
Output	Frequency	26.00			MHz	
	Output Waveform	Clipped Sine Wave				
	Vp-p	0.8		2	V	
	Duty Cycle	40		60	%	GND level (DC-cut)
	Start up			2	ms	@90% of Final Vout level
	Load	10K Ω //10pF				
Frequency Stabilities	Frequency Tolerance vs. Operating Temperature Range	-0.5		+0.5	$\times 10^{-6}$	T _A varied from -40 $^{\circ}$ C to 85 $^{\circ}$ C, measurement referenced to frequency observed with f _{ref} =(f _{max} +f _{min})/2, V _{cc} =3.3V, O _{load} =10K Ω //10pF, temperature variable speed less than 2 $^{\circ}$ C per minute.
	Initial Frequency Tolerance	-2		+2	$\times 10^{-6}$	T _A =25 $^{\circ}$ C, 1hour after 2 times reflow.
	Frequency Tolerance vs. Supply Voltage	-0.2		+0.2	$\times 10^{-6}$	measurement referenced to frequency observed T _A =25 $^{\circ}$ C, V _{cc} =3.0V \pm 5%, V _c =1.5V and O _{Load} =10K Ω //10pF.
	Frequency Tolerance vs. Load	-0.2		+0.2	$\times 10^{-6}$	10% load change measurement referenced to frequency observed with T _A =25 $^{\circ}$ C, V _{cc} =3.0V, V _c =1.5V and O _{Load} =10K Ω //10pF .
	Aging Tolerance	-1		+1	$\times 10^{-6}$	First year at 25 $^{\circ}$ C.
Power Supply	Operating Current			1.5	mA	@25 $^{\circ}$ C, V _{cc} =3.0V, V _c =1.5V, O _{Load} =10K Ω //10pF.
	Supply Voltage	2.85	3.0	3.15	V	
Voltage Control	Frequency tuning range			-5	$\times 10^{-6}$	V _c = 0.5V. measurement referenced to V _c =1.5V.
		-2		+2	$\times 10^{-6}$	V _c =1.5V. measurement referenced to Exactly 26.00MHz.
		+5			$\times 10^{-6}$	V _c =2.5V. measurement referenced to V _c =1.5V.
	Slope	Positive				
	Input Impedance	500			K Ω	
	Linearity			10	%	



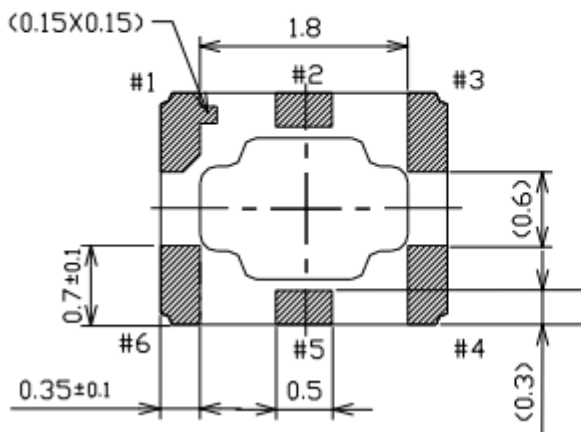
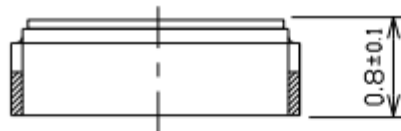
Phase Noise	Phase Noise @25°C		-90		dBc/Hz	10Hz
			-115			100Hz
			-135			1KHz
			-150			10KHz
			-152			100KHz
Environmental Conditions	Operable Temperature	-40		+85	°C	
	Storage Temperature	-40		+85	°C	
	ESD Level	Human Body Model,class2: 2000V to 4000V; ANSI/ESDA/JEDEC JS-001-2010.				
		Machine Model, class B: 200V to 400V; JEDEC JESD22-A115C.				
	Moisture Sensitivity Level	Level 1.				
	Vibration	Test Condition: 0.75mm ;acceleration:10g;10Hz~2000Hz, one cycle per 30 min, test 2 hour. (3 times for each 3 directions X , Y , Z).IEC 68-2-06 Test Fc.				
Shock	100g; 6ms; half sine wave (3 times for each 3 directions X ,Y, Z),IEC 68-2-27 Test Ea/Severity 50A.					



2、 Mechanical Structure(mm)



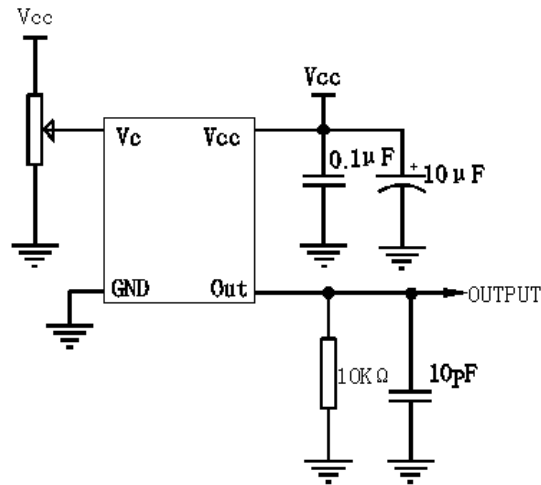
Terminal land connections	
#1	VCONT
#3	GND
#4	OUTPUT
#6	VCC
#2/#5	N/C or GND



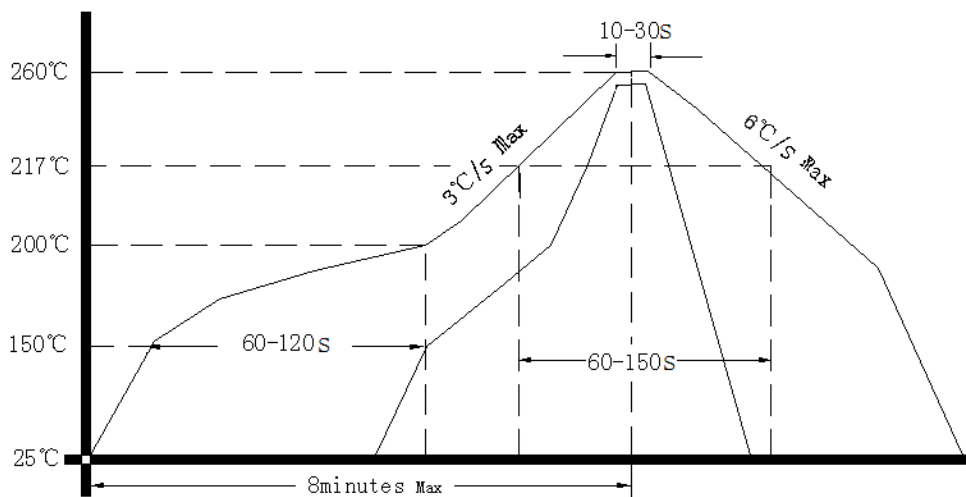
Note1: Tolerance ±0.2mm without mark



3、 Test Circuit



4、 Reflow Soldering Curve (RoHS)



5、 Package: Tape & Reel (mm)

