

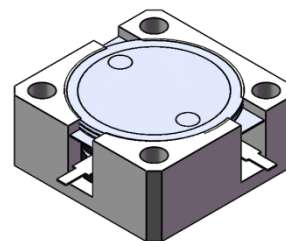


## DP3307C

### ENG PART:DP-19X19CD-2496T2690-CW

2496MHz to 2690MHz Single-Junction Drop-in Circulator

REV.	DESCRIPTION	REVISOR	DATE	APPROVED
A	SAME AS REV.1	ZZ.Zhu	2024/8/28	Nick
B	Updated the label	ZC.Wu	2024/12/23	Nick

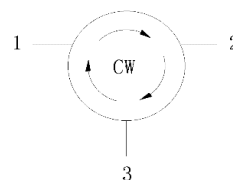


#### Applications:

- Wireless Infrastructure
- Power Amplifier

#### Features:

- Operating frequency range:2496MHz to 2690MHz
- Operating temperature range: -40°C to +105°C
- Storage temperature range: -55°C to +130°C
- BeOfree&RoHS compliant



Block Diagram



### Electrical Specifications:

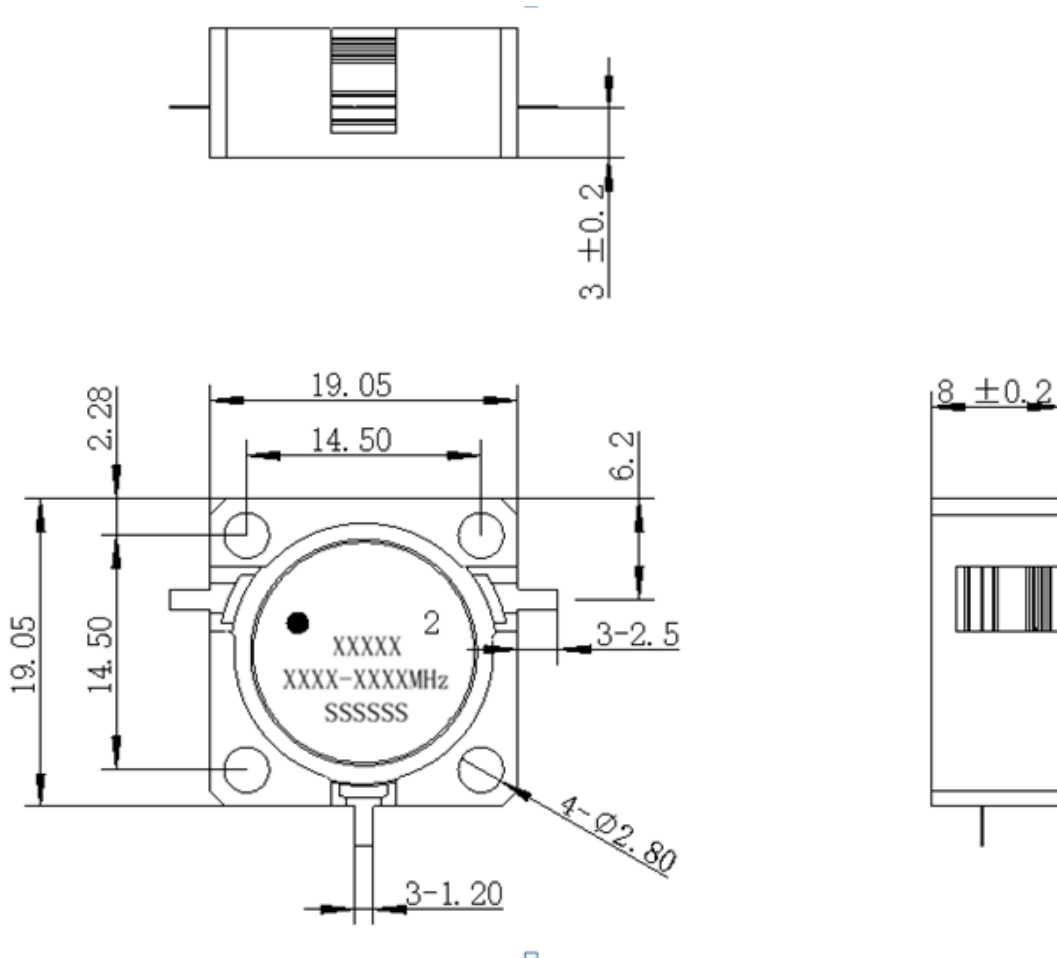
ITEM	SPECIFICATION	
Frequency	2496~2690	MHz
Direction	CW	
Impedance	Typ: 50	$\Omega$
Insertion Loss (Max.)	0.25@25 $\pm$ 5 $^{\circ}$ C 0.30@-40~+105 $^{\circ}$ C	dB
Isolation (Min.)	22@25 $\pm$ 5 $^{\circ}$ C 20@-40~+105 $^{\circ}$ C	dB
Return Loss (Min.)	22@25 $\pm$ 5 $^{\circ}$ C 20@-40~+105 $^{\circ}$ C	dB
Power FWD/REV/PEAK	150/100/1000	W
IMD (Max.)	-65@2x20W Spacing 1MHz	dBc
Impedance ,real	/	$\Omega$
Impedance ,imaginary	/	j $\Omega$

Notes:

1. Exposure to maximum rating conditions for extended periods may reduce device reliability. There is no damage to device with only one parameter set at the limit and all other parameters set at or below their nominal value. Exceeding any of the limits listed here may result in permanent damage to the device.
2. Performance is guaranteed under the conditions listed in this table and over the operating temperature range.



### Mechanical Specifications:



Unit: Millimeters

#### Notes:

1. The circuit is silver-plated.
2. Tolerance  $\pm 0.2$ mm unless otherwise specified.
3. Co-planarity Specification: 0.1mm maximum.
4. Part Number, Lot Code, and Port Designation are printed on the top side of device.
5. The XXXXX on the label represents the last five digits of the Part Number
6. The XXXX-XXXX on the label represents the operating frequency
7. The SSSSSS on the label represents the serial number
8. The black dot on the label represents the input port