

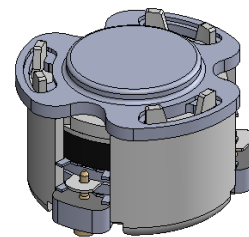


## DP3568C

### ENG PART:DP-7.0CM-3300T3700-CCW

3300MHz to 3700MHz Single-Junction Surface Mount Circulator

REV.	DESCRIPTION	REVISOR	DATE	APPROVED
A	Creating datasheet	ZZ.Zhu	2024/11/28	Nick

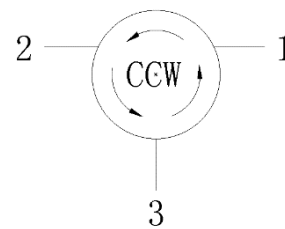


#### Applications:

- Wireless Infrastructure
- Power Amplifier

#### Features:

- Operating frequency range: 3300MHz to 3700MHz
- Operating temperature range: -40°C to +110°C
- Storage temperature range: -55°C to +135°C
- Small surface-mount package delivered on T&R
- BeOfree&RoHS compliant



Block Diagram



### Electrical Specifications:

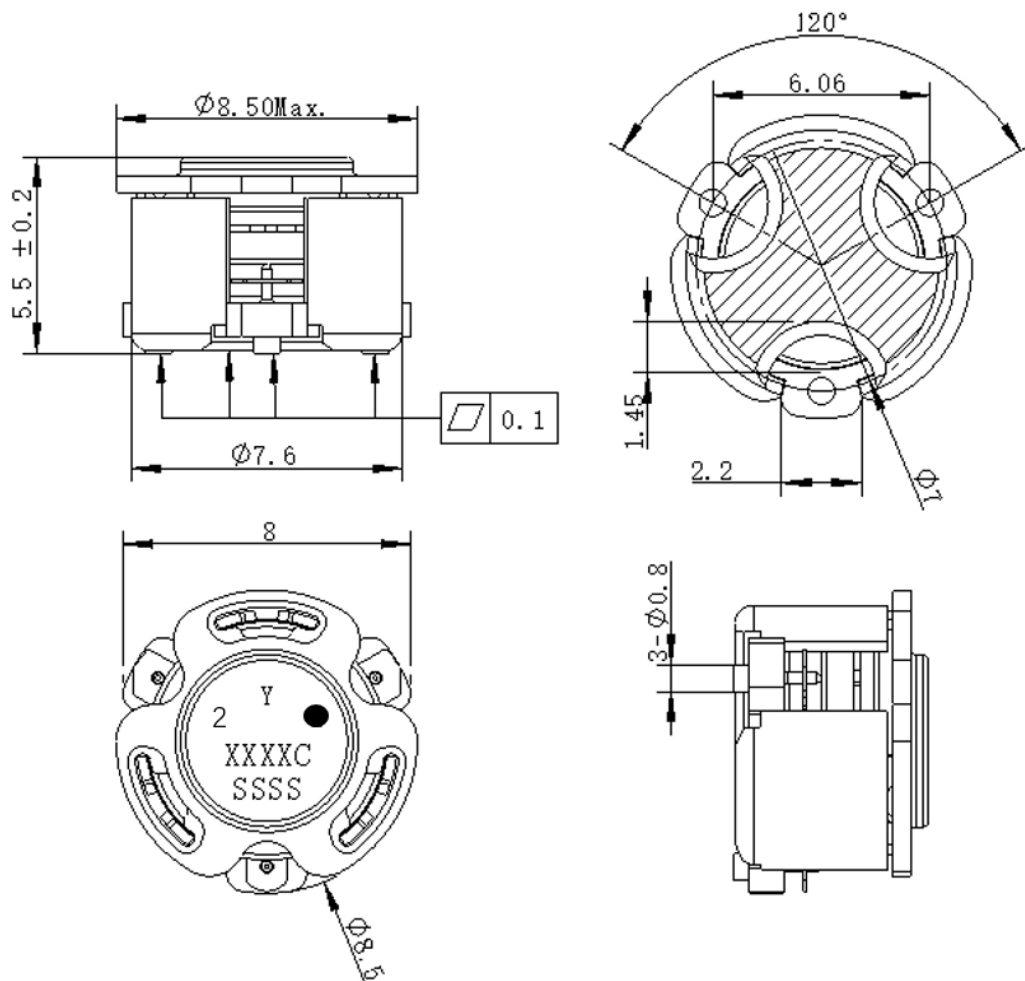
ITEM	SPECIFICATION	
Frequency	3300~3700	MHz
Direction	CCW	
Impedance	Typ: 50	$\Omega$
Insertion Loss (Max.)	0.30@25 $\pm$ 5 $^{\circ}$ C 0.35@-40~+110 $^{\circ}$ C	dB
Isolation (Min.)	22@25 $\pm$ 5 $^{\circ}$ C 20@-40~+110 $^{\circ}$ C	dB
Return Loss (Min.)	22@25 $\pm$ 5 $^{\circ}$ C 20@-40~+110 $^{\circ}$ C	dB
3rd IMD (Max.)	-65@2x5W CW tones spacing 1MHz	dBc
2nd harmonic	15	dB
3rd harmonic	10	dB
Group delay	/	ns
Out of band resonance	/	
Power FWD/REV/PEAK	30/30/180	W
Input Impedance, Real	/	$\Omega$
Input Impedance, Imaginary	/	$\Omega$
Termination/Attenuator	/	W/dB

Notes:

1. Exposure to maximum rating conditions for extended periods may reduce device reliability. There is no damage to device with only one parameter set at the limit and all other parameters set at or below their nominal value. Exceeding any of the limits listed here may result in permanent damage to the device.
2. Performance is guaranteed under the conditions listed in this table and over the operating temperature range.



### Mechanical Specifications:



Unit: Millimeters

#### Notes:

1. The housing and pins are silver-plated.
2. Tolerance  $\pm 0.2$  mm unless otherwise specified.
3. Co-planarity Specification: 0.1 mm maximum.
4. Part Number, Lot Code, and Port Designation are printed on the top side of device
5. The "Y" show on the label represents the producing year, when printing the producing year, A stands for 2022, B for 2023, C for 2024, and so on (reference DP's file WDPT PD-003).
6. The **XXXXC** on the label represents the last five digits of the Part Number.
7. The SSSS on the label represents the serial number
8. The black dot on the label represents the input port