

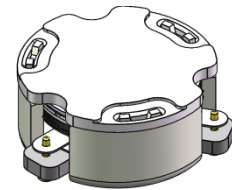


## DP3561C

### ENG PART:DP-15.5CM-3700T3980-CW

3700MHz to 3980MHz Single-Junction Surface Mount Circulator

REV.	DESCRIPTION	REVISOR	DATE	APPROVED
A	SAME AS REV.2	ZZ.Zhu	2024/11/25	Nick

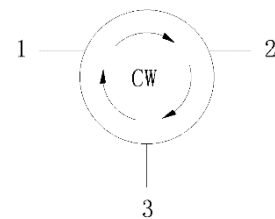


#### Applications:

- Wireless Infrastructure
- Power Amplifier

#### Features:

- Operating frequency range: 3700MHz to 3980MHz
- Operating temperature range: -40°C to +105°C
- Storage temperature range: -50°C to +135°C
- Small surface-mount package delivered on T&R
- BeOfree&RoHS compliant



Block Diagram



### Electrical Specifications:

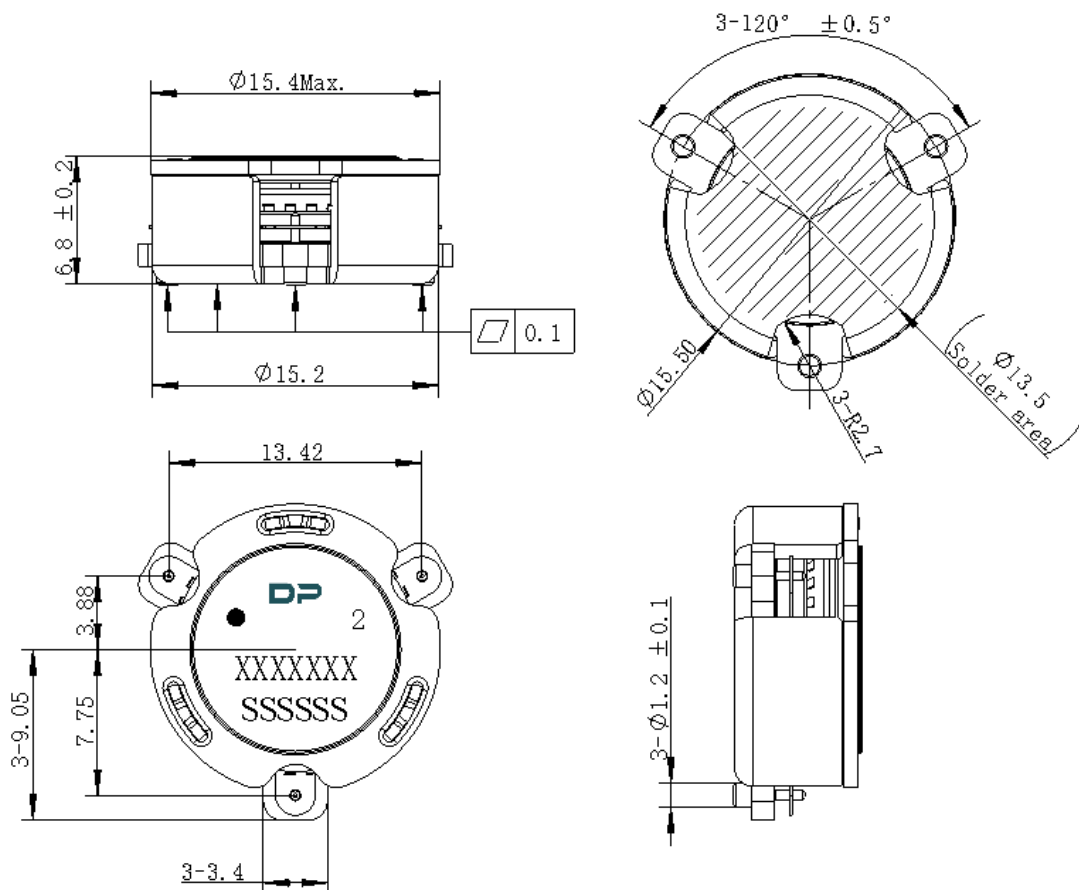
ITEM	SPECIFICATION	
Frequency	3700~3980	MHz
Direction	CW	
Impedance	Typ: 50	$\Omega$
Insertion Loss (Max.)	0.20	dB
Isolation (Min.)	23	dB
Return Loss (Min.)	23	dB
3rd IMD (Max.)	-69@2x30W , 5MHz spacing	dBc
5th IMD (Max.)	/	dBc
Harmonics	/	dBc
Power FWD/REV/PEAK	100/100/1000	W
Impedance (real)	50 $\pm$ 5	$\Omega$
Impedance (Imaginary)	$\pm$ 5j	$\Omega$
Resonance out of	/	MHz
Termination/Attenuator	/	W/dB

Notes:

1. Exposure to maximum rating conditions for extended periods may reduce device reliability. There is no damage to device with only one parameter set at the limit and all other parameters set at or below their nominal value. Exceeding any of the limits listed here may result in permanent damage to the device.
2. Performance is guaranteed under the conditions listed in this table and over the operating temperature range.



### Mechanical Specifications:



Unit: Millimeters

#### Notes:

1. The housing and pins are silver-plated.
2. Tolerance  $\pm 0.2$  mm unless otherwise specified.
3. Co-planarity Specification: 0.1 mm maximum.
4. Part Number, Lot Code, and Port Designation are printed on the top side of device.
5. The **XXXXXXX** on the label represents the part number.
6. The **SSSSSS** on the label represents the serial number.
7. The black dot on the label represents the input port.