

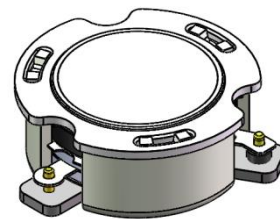


**DP3574C**

**ENG PART:DP-20.4CM-1520T1560-CCW**

1520MHz to 1560MHz Single-Junction Surface Mount Circulator

REV.	DESCRIPTION	REVISOR	DATE	APPROVED
A	Same as Rev.1	ZC.Wu	2024/11/13	Nick

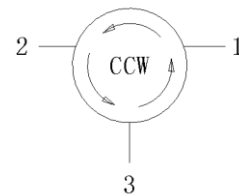


**Applications:**

- Wireless Infrastructure
- Power Amplifier

**Features:**

- Operating frequency range: 1520MHz to 1560MHz
- Operating temperature range: -40°C to +105°C
- Storage temperature range: -50°C to +150°C
- Small surface-mount package delivered on T&R
- BeO free & RoHS compliant



Block Diagram



### Electrical Specifications:

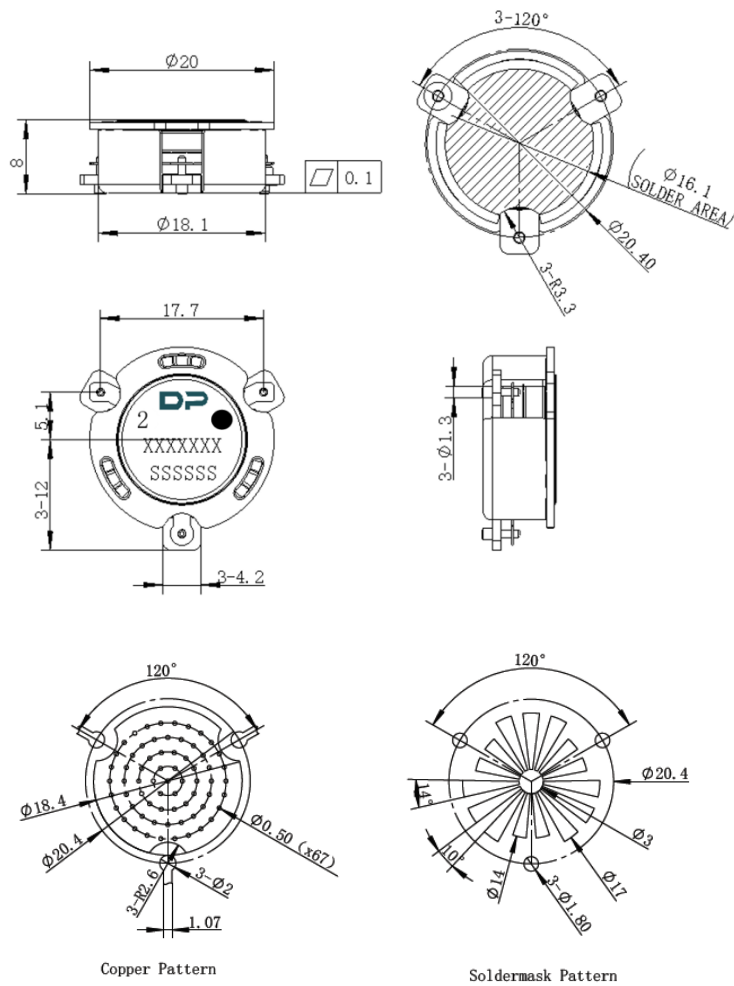
ITEM	SPECIFICATION	
Frequency	1520~1560	MHz
Direction	CCW	
Impedance	Typ: 50	$\Omega$
Insertion Loss (Max.)	0.20@25±5℃ 0.25@-40~+105℃	dB
Isolation (Min.) (P2-P1)	24@25±5℃ 22@-40~+105℃	dB
Return Loss (Min.)(P1、P2、P3)	24@25±5℃ 22@-40~+105℃	dB
3rd IMD (Max.)	-65@2x40W CW tones, spacing 5MHz	dBc
Group delay	-	ns
2nd attenuation	-10	dB
3rd attenuation	-5	dB
Power FWD/REV/PEAK	100/100/1000	W
Input Impedance ,real	-	$\Omega$
Input Impedance ,imaginary	-	j $\Omega$
Resonance point	-	
Termination/Attenuator	-	W/dB

Notes:

1. Exposure to maximum rating conditions for extended periods may reduce device reliability. There is no damage to device with only one parameter set at the limit and all other parameters set at or below their nominal value. Exceeding any of the limits listed here may result in permanent damage to the device.
2. Performance is guaranteed under the conditions listed in this table and over the operating temperature range.



### 3. Mechanical Specifications:



PCB Material: ROGERS R04350B 0.508mm thickness trace width 1.07mm wide

Unit: Millimeters

#### Notes:

1. The housing and pins are silver-plated.
2. Tolerance  $\pm 0.2$ mm unless otherwise specified.
3. Co-planarity Specification: 0.1mm maximum.
4. Part Number, Lot Code, and Port Designation are printed on the top side of device.
5. The **XXXXXXX** on the label represents the part number
6. The **SSSSSS** on the label represents the serial number
7. The black dot on the label represents the input port