

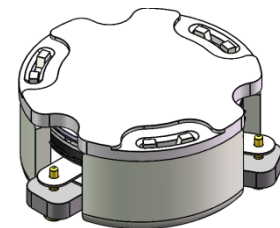


DP2579C

ENG PART:DP-15.5CM-3410T3800-CW

3410MHz to 3800MHz Single-Junction Surface Mount Circulator

REV.	DESCRIPTION	REVISOR	DATE	APPROVED
A	SAME AS REV.1	ZZ.Zhu	2023/5/18	Nick
B	Updated the outline drawing and spec.	ZC.Wu	2024/10/31	ZC.Wu
C	Updated the outline drawing and Packing tape	ZZ.Zhu	2024/11/7	Nick

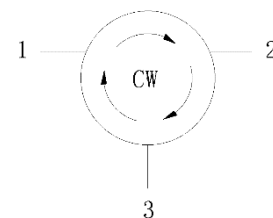


Applications:

- Wireless Infrastructure
- Power Amplifier

Features:

- Operating frequency range: 3410MHz to 3800MHz
- Operating temperature range: **-40°C to +125°C**
- Storage temperature range: -50°C to +125°C
- Small surface-mount package delivered on T&R
- BeOfree&RoHS compliant



Block Diagram



Electrical Specifications:

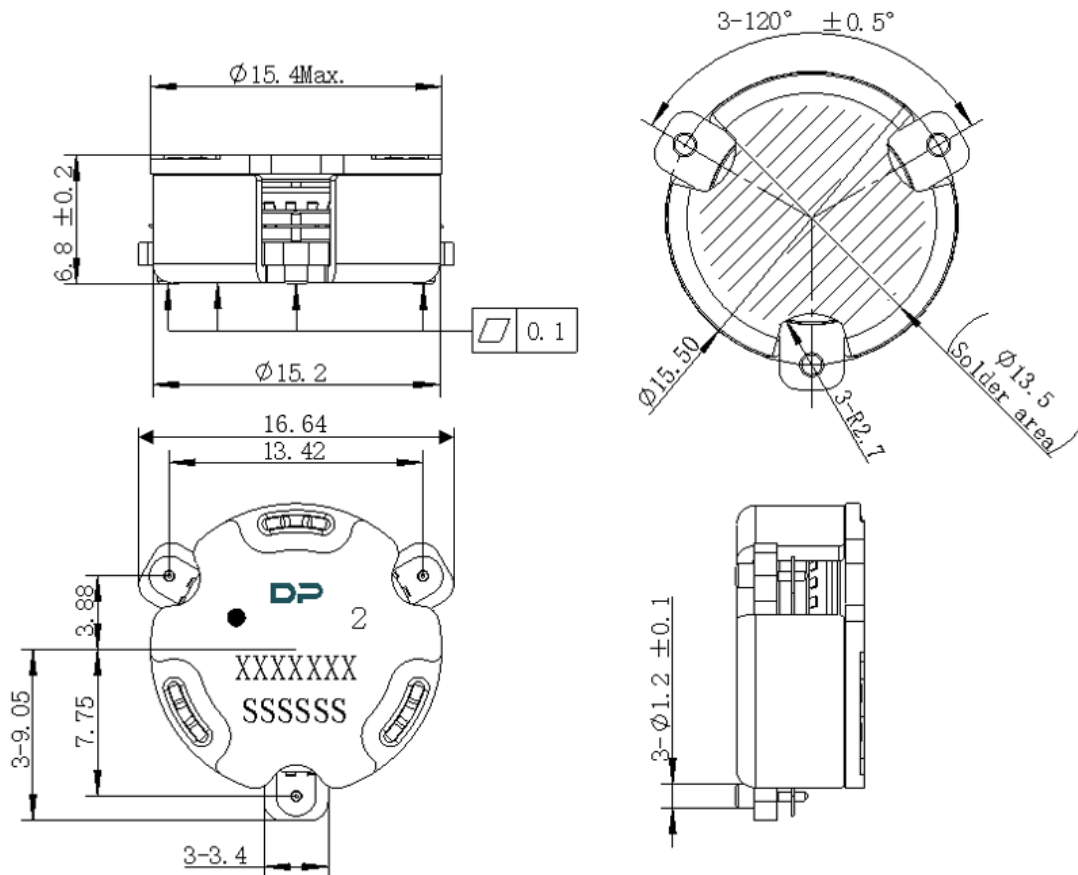
ITEM	SPECIFICATION	
Frequency	3410~3800	MHz
Direction	CW	
Impedance	Typ: 50	Ω
Insertion Loss (Max.)	0.25	dB
Isolation (Min.)	20	dB
Return Loss (Min.)	22 1@2810~4400MHz	dB
3rd IMD (Max.)	-65@2x50W , 5MHz spacing	dBc
5th IMD (Max.)	-	dBc
Harmonics	60@2 x TX (100W CW) 60@ 3 x TX (100W CW)	dBc
Attenuation	15@2xTX 7@3xTX 5@nxTX	dB
Group delay	0.4~2.0	ns
Reciprocity	-0.05~+0.05 @Delta(S21 / S32) within any 10 °C temperature range	dB
	-1~+1 @Delta(S21 / S32) within any 10 °C temperature range	Deg
Power FWD/REV/PEAK	100/100/1000	W
Impedance (Real)	50±5.5	Ω
Impedance (Imaginary)	±5.5	j Ω
Resonance out of	/	MHz
Termination/Attenuator	/-	W/dB

Notes:

1. Exposure to maximum rating conditions for extended periods may reduce device reliability. There is no damage to device with only one parameter set at the limit and all other parameters set at or below their nominal value. Exceeding any of the limits listed here may result in permanent damage to the device.
2. Performance is guaranteed under the conditions listed in this table and over the operating temperature range.



Mechanical Specifications:



Notes:

1. The housing and pins are silver-plated.
2. Tolerance ± 0.2 mm unless otherwise specified.
3. Co-planarity Specification: 0.1mm maximum.
4. Part Number, Lot Code, and Port Designation are printed on the top side of device
5. The **XXXXXXX** on the label represents the part number
6. The **SSSSSS** on the label represents the serial number
7. The black dot on the label represents the input port

Unit: Millimeters



Packaging Style:

ITEM	W	A0	B0	K0	D	E	F	F2	P	P0	P2	T
DIM	44	Φ15.5	Φ18.3	7.3	Φ1.5	1.75	20.2	40.5	28	4	2	0.5
TOLE	±0.3	±0.2	±0.2	±0.2	+0.1	±0.1	±0.15	±0.1	±0.1	±0.1	±0.1	±0.05

