

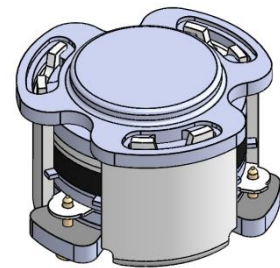


## DP2500C

### ENG PART:DP-7.2CM-3300T3670-CCW

3300MHz to 3670MHz Single-Junction Surface Mount Circulator

| REV. | DESCRIPTION                        | REVISOR | DATE       | APPROVED |
|------|------------------------------------|---------|------------|----------|
| A    | SAME AS REV.1                      | ZZ.Zhu  | 2023/7/28  | Nick     |
| B    | Update dimensional outline drawing | ZZ.Zhu  | 2024/10/30 | Nick     |

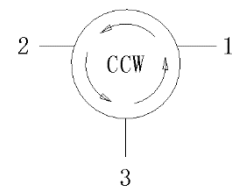


#### Applications:

- Wireless Infrastructure
- Power Amplifier

#### Features:

- Operating frequency range: 3300MHz to 3670MHz
- Operating temperature range: -40°C to +110°C
- Storage temperature range: -40°C to +125°C
- Small surface-mount package delivered on T&R
- BeOfree&RoHS compliant



Block Diagram



**Electrical Specifications:**

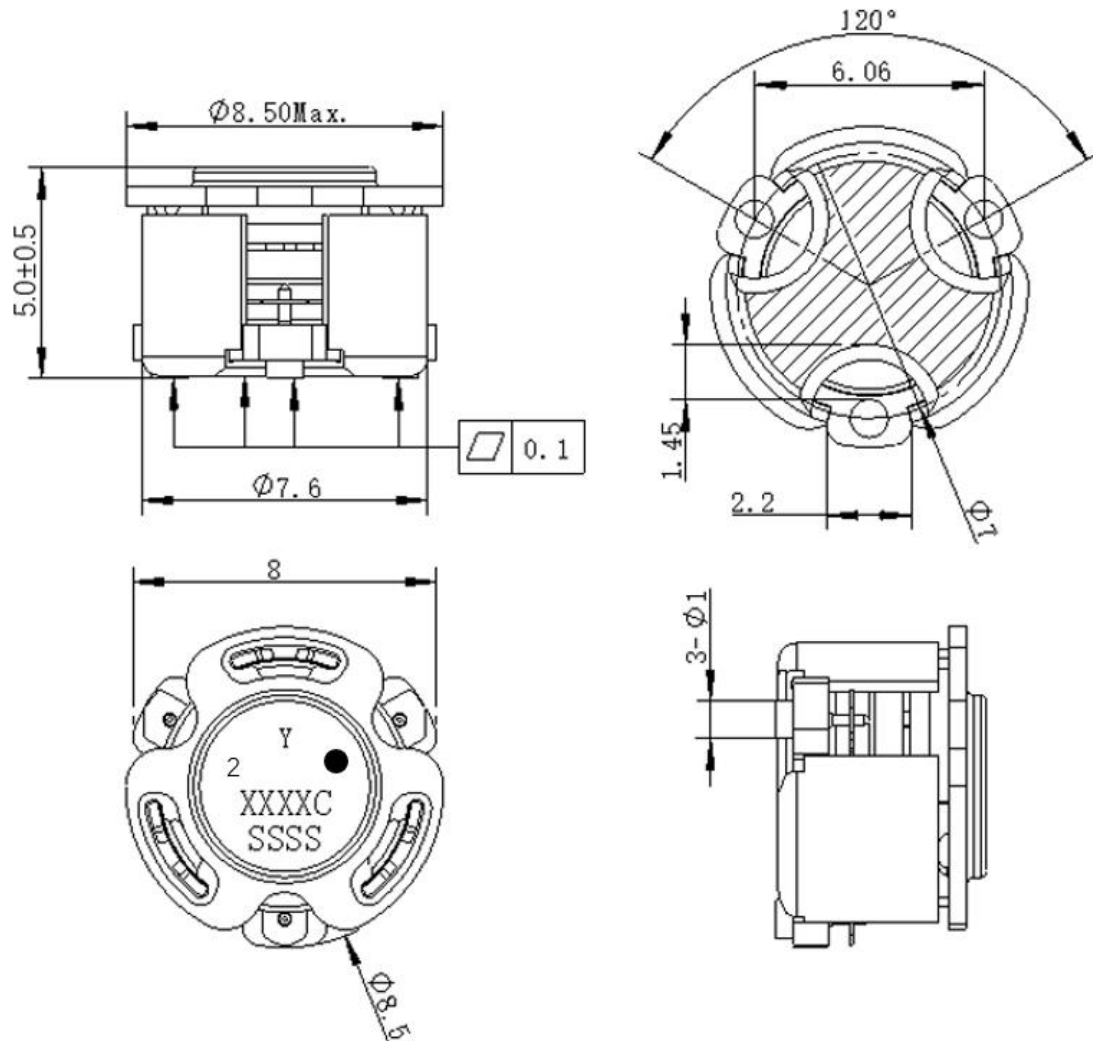
| ITEM                        | SPECIFICATION  |          |
|-----------------------------|--|----------|
| Frequency                   | 3300~3670  | MHz      |
| Direction                   | CCW  |          |
| Impedance                   | Typ: 50  | $\Omega$ |
| Insertion Loss (Max.)       | 0.30   | dB       |
| Isolation (Min.)            | 20   | dB       |
| Return Loss (Min.)          | 22   | dB       |
| 3rd IMD (Max.)              | -60@2x10W 1, 5, 20, 100, 200MHz spacing  | dBc      |
| 5th IMD (Max.)              | -65@2x10W 1, 5, 20, 100, 200MHz spacing  | dBc      |
| Harmonics                   | 60@ 2 x TX (20W CW )<br>60@ 3 x TX (20W CW )<br>70@ 4 x TX (20W CW )<br>76@ 5 x TX (20W CW ) | dBc      |
| Attenuation                 | 20@2xTX<br>10@3xTX<br>5@nxTX   | dB       |
| Group delay                 | 0.4~2.0  | ns       |
| Reciprocity                 | -0.05~+0.05 @Delta(S21 / S32) within any 10 °C temperature range                             | dB       |
|                             | -1~+1 @Delta(S21 / S32) within any 10 °C temperature range                                   | Deg      |
| Power FWD/REV/PEAK          | 30/30/150  | W        |
| Input Impedance (Real)      | /  | $\Omega$ |
| Input Impedance (Imaginary) | /  | $\Omega$ |
| Output Impedance            | /  | $\Omega$ |
| Resonance out of            | 3000~3970  | MHz      |
| Termination/Attenuator      | /-   | W/dB     |

Notes:

1. Exposure to maximum rating conditions for extended periods may reduce device reliability. There is no damage to device with only one parameter set at the limit and all other parameters set at or below their nominal value. Exceeding any of the limits listed here may result in permanent damage to the device.
2. Performance is guaranteed under the conditions listed in this table and over the operating temperature range.



### Mechanical Specifications:



Unit: Millimeters

#### Notes:

1. The housing and pins are silver-plated.
2. Tolerance  $\pm 0.2$ mm unless otherwise specified.
3. Co-planarity Specification: 0.1mm maximum.
4. Part Number, Lot Code, and Port Designation are printed on the top side of device
5. The "Y" show on the label represents the producing year, when printing the producing year, A stands for 2022, B for 2023, C for 2024, and so on (reference DP's file WDPT PD-003).
6. The **XXXXC** on the label represents the last five digits of the Part Number.
7. The SSSS on the label represents the serial number
8. The black dot on the label represents the input port



**Packaging Style:**

| ITEM | W    | A0   | B0   | C0   | K0   | D    | E    | F     | F2   | P    | P0   | P2   | T     |
|------|------|------|------|------|------|------|------|-------|------|------|------|------|-------|
| DIM  | 32   | Φ7.4 | 9.2  | 2.7  | 6.0  | Φ1.5 | 1.75 | 14.2  | 28.4 | 20   | 4    | 2    | 0.5   |
| TOLE | ±0.2 | ±0.2 | ±0.2 | ±0.2 | ±0.2 | +0.1 | ±0.1 | ±0.15 | ±0.1 | ±0.1 | ±0.1 | ±0.1 | ±0.05 |

