

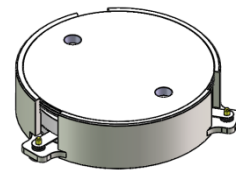


DP3534C

ENG PART:DP-35.0CM-791T960-CCW

791MHz to 960MHz Single-Junction Surface Mount Circulator

REV.	DESCRIPTION	REVISOR	DATE	APPROVED
A	Creating datasheet	ZZ.Zhu	2024/10/30	Nick

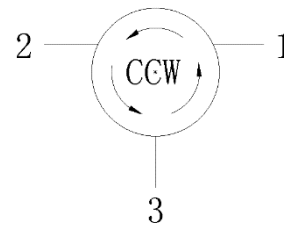


Applications:

- Wireless Infrastructure
- Power Amplifier

Features:

- Operating frequency range: 791MHz to 960MHz
- Operating temperature range: -40°C to +125°C
- Storage temperature range: -55°C to +150°C
- Small surface-mount package delivered on T&R
- BeO free & RoHS compliant



Block Diagram



Electrical Specifications:

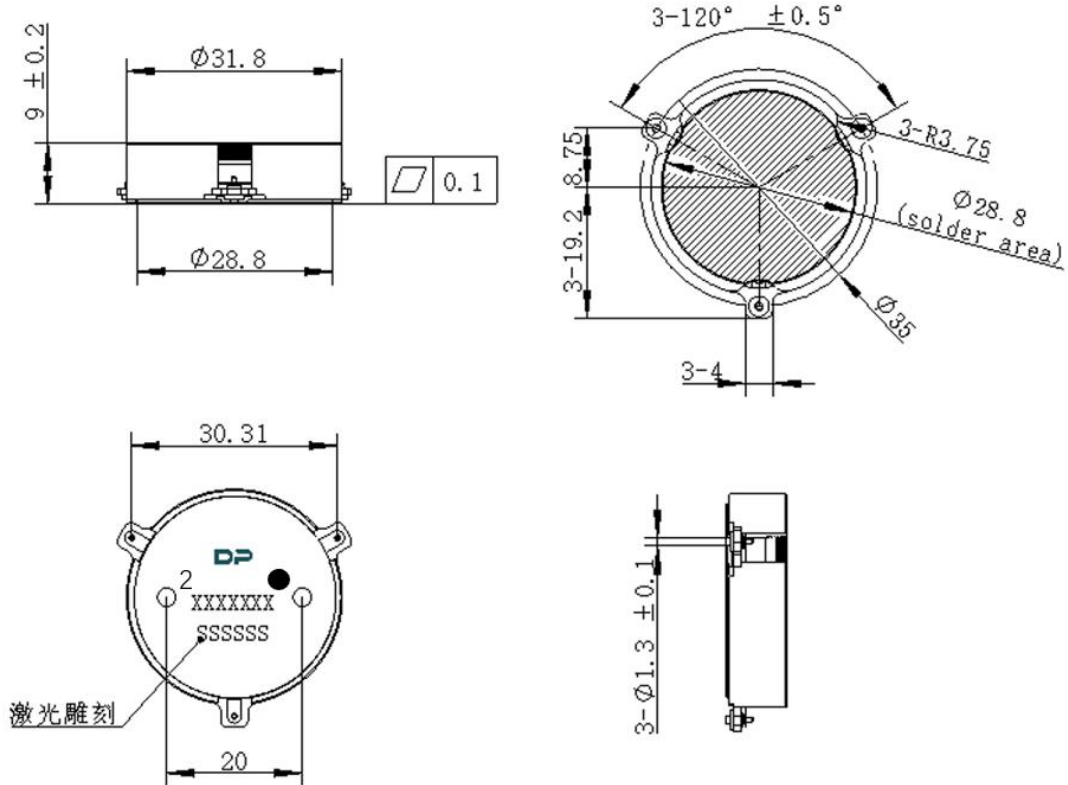
ITEM	SPECIFICATION	
Frequency	791~960	MHz
Extend frequency	-	MHz
Direction	CCW	
Impedance	Typ: 50	Ω
Insertion Loss (Max.)	0.25@25±5°C 0.30@-40~+125°C	dB
Isolation (Min.)	21@25±5°C 20@-40~+105°C 18@+105~+125°C	dB
Return Loss (Min.)	21@25±5°C 20@-40~+105°C 18@+105~+125°C	dB
FWD 3rd IMD (Max.)	-75@2x65W,CW tones, spacing 1MHz(25±5°C) -68@2x65W,CW tones, spacing 1MHz(-40±105°C)	dBc
Group delay	/	ns
2nd harmonic suppression	10	dBc
3rd harmonic suppression	10	dBc
Power FWD/REV/PEAK	250/-/2000	W
Ripple of group delay in extend frequency	/	ns
Input Impedance ,real	/	Ω
InputImpedance ,imaginary	/	Ω
Output Impedance ,real	/	Ω
Outpulmpedance ,imaginary	/	Ω
Out-off-band resonance point	/	

Notes:

1. Exposure to maximum rating conditions for extended periods may reduce device reliability. There is no damage to device with only one parameter set at the limit and all other parameters set at or below their nominal value. Exceeding any of the limits listed here may result in permanent damage to the device.
2. Performance is guaranteed under the conditions listed in this table and over the operating temperature range.
3. Performance will not degrade by > 10% (Insertion loss > 20%) with an operating temperature of up to 130 °C.



Mechanical Specifications:



Unit: Millimeters

Notes:

1. The housing and pins are silver-plated.
2. Tolerance ± 0.2 mm unless otherwise specified.
3. Co-planarity Specification: 0.1 mm maximum.
4. Part Number, Lot Code, and Port Designation are printed on the top side of device.
5. The **XXXXXXX** on the label represents the part number
6. The **SSSSSS** on the label represents the serial number
7. The black dots represent the input ports



Packaging Style:

ITEM	W	A0	B0	K0	D	E	F	F2	P	P0	P2	T
DM	56	Φ32.2	-	9.5	Φ1.5	1.75	26.25	52.5	48	4	2	0.5
TOL	±0.3	±0.2	±0.2	±0.15	+0.1	±0.1	±0.15	±0.1	±0.1	±0.1	±0.1	±0.05

