

# 5mm SMD ISOLATOR

RF component

Datasheet Rev.:           A            
Date:           2024/10/22          

**Customer:**

**Product Name:**

DP-IL0525A806

DP-IL0525B806

**Customer P/N:**



GuangdongDapuTelecomTechnologyCo.,Ltd  
<http://www.dptel.com>

Building5, No.24, Gongye East Road,  
SSL Sci & Tech Industry Park,  
Dongguan, Guangdong, China  
TEL: 0086-0769-88010888  
FAX: 0086-0769-81800098

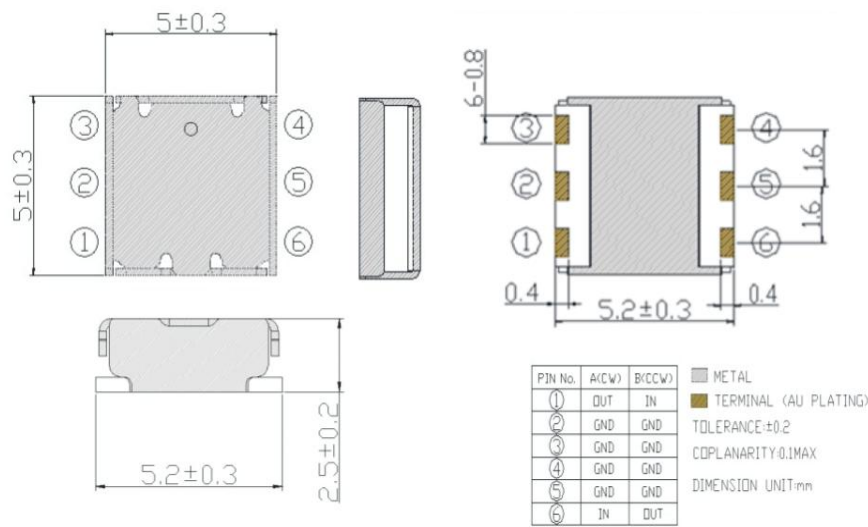
Approved	Checked	Designer
Nick	Wison	ZC.Wu

# 5mm SMD ISOLATOR

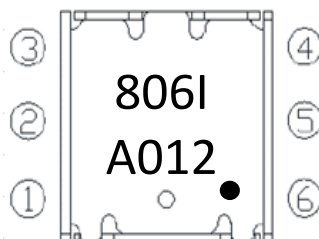
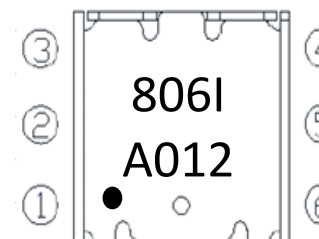
RF component

Datasheet Rev.:           A            
 Date:           2024/10/22          

## MECHANICAL SPECIFICATION



## MARKING

Clockwise DP-IL0525A806	CounterClockwise DP-IL0525B806	
		①/⑥ : Out/In Port ②~⑤: Ground  I: Isolator A: Year 01: Week of Year 2: Day of Week ●: Input Port

Year Code	
Year	Code
2019	A
2020	B
2021	C
2022	D
2023	E
2024	F
...	...

Week Code	
Week	Code
1	01
2	02
3	03
4	04
5	05
6	06
...	...

Day Code	
Day	Code
Monday	1
Tuesday	2
Wednesday	3
Thursday	4
Friday	5
Saturday	6
Sunday	7

# 5mm SMD ISOLATOR

RF component

Datasheet Rev.:           A            
 Date:           2024/10/22          

## TEMPERATURE RANGE

Operating temperature range: -40~+85°C

Storage temperature range: -40~+125°C

## ELECTRICAL CHARACTERISTICS

Parameter	L0525	Frequency (MHz)			DP Spec		
		791		821	Min.	Typ.	Max.
Frequency range	DP-IL0525	791		821	791		821
Insertion Loss	dB	-		-			0.90
Isolation	dB	-		-	12		
Return Loss	dB	-		-	12		
IMD3 (2*25dBm, Span 5MHz)	dBc						
IMD3 typical	dBc						
Power Handling (Average)	W						5
Power Handling (Peak)	W						40
Reflection power	W						2
Attenuation 2f	dB						
Attenuation 3f	dB						
Characteristic Impedance (ohm)	Ω					50	
Case Style	-					SMD	

## NOTES

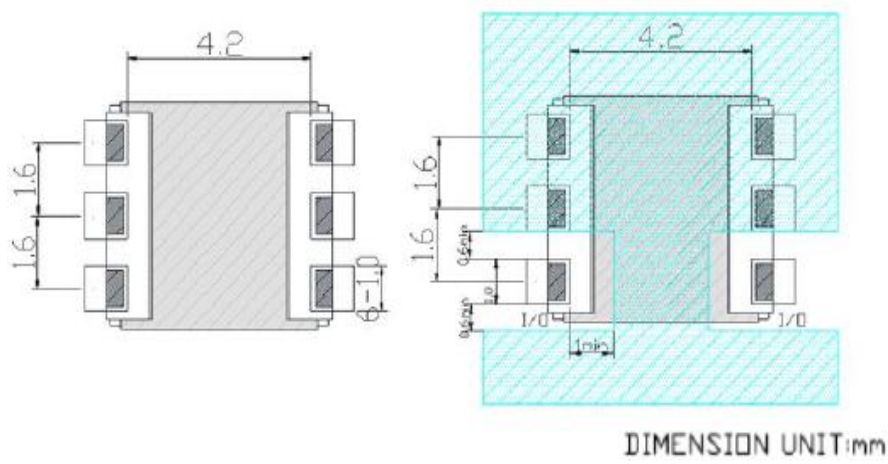
1. Recommend to keep 30mm above when mounted with other magnetic products.
2. RoHS compliance.
3. Isolator's characteristics are guaranteed at conditions listed at above table and it's operating temperature range.

# 5mm SMD ISOLATOR

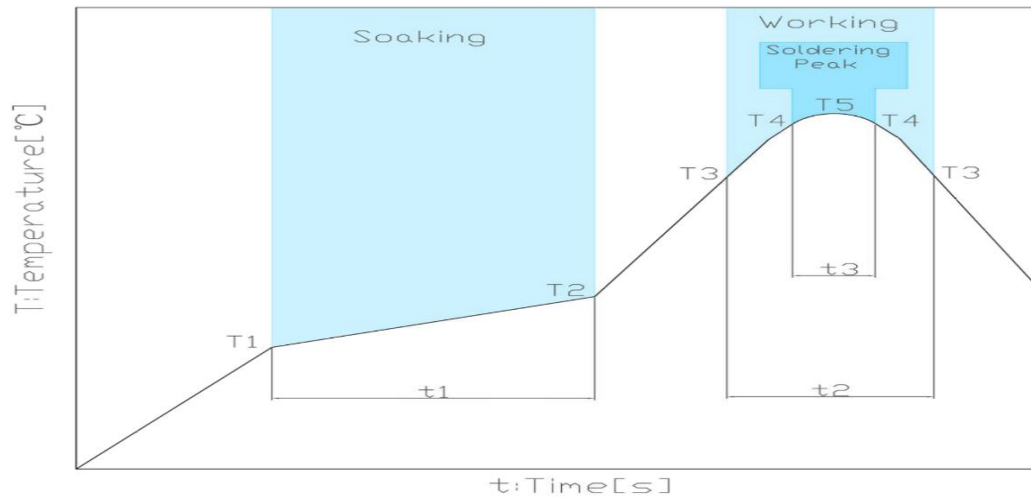
RF component

Datasheet Rev.:           A            
 Date:           2024/10/22          

## RECOMMENDED LAND PATTERN



## RECOMMENDED REFLOW PROFILE



Soaking			Working		Soldering Peak		
Temp.	Time		Temp.	Time	Temp.	Time	Temp.
T1	T2	t1	T3	t2	T4	t3	T5
150°C	180°C	60 to 120s	230°C	30 to 60s	250°C	within 10s	260°C max.

# 5mm SMD ISOLATOR

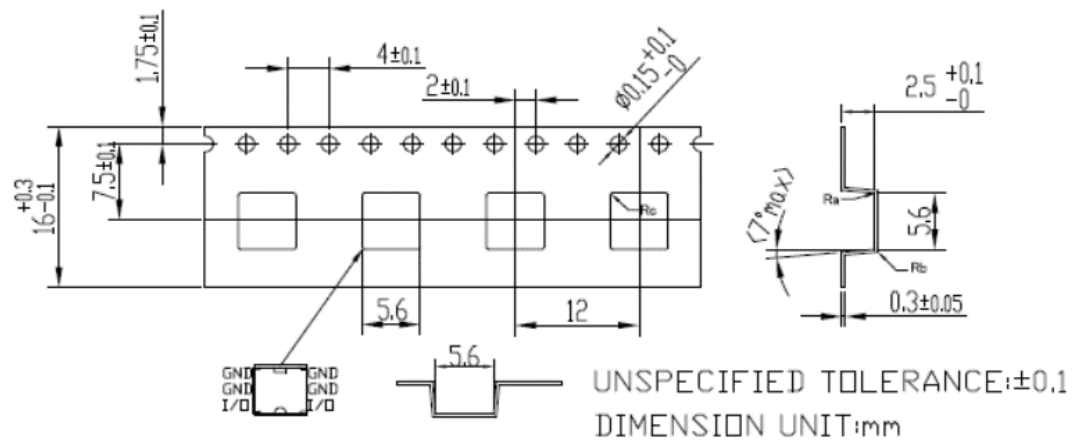
RF component

Datasheet Rev.: A  
Date: 45587

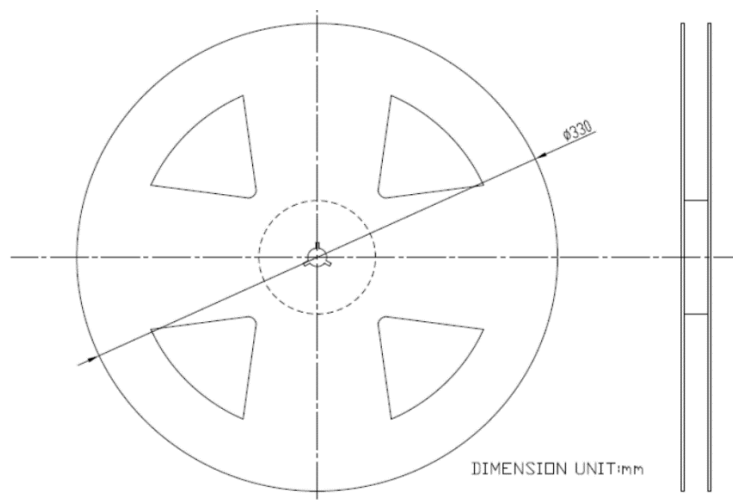
## PACKING STYLE

### REEL DIMENSIONS

Reel side  $\longrightarrow$  Pulling side



### TAPE DIMENSIONS



### PACKAGE QUANTITY

1000 PCS/REEL

# 5mm SMD ISOLATOR

RF component

Datasheet Rev.:           A            
 Date:           2024/10/22          

## Revision Records

Rev.	Date	PIC	Change item	Reasons for change
A	2024.10.22	ZC.Wu	New release	
B				
C				
D				
E				
F				
G				
H				