

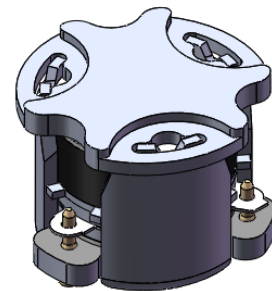


DP3485C

ENG PART:DP-5.0CM-6425T6825-CW

6425MHz to 6825MHz Single-Junction Surface Mount Circulator

REV.	DESCRIPTION	REVISOR	DATE	APPROVED
A	SAME AS REV.1	ZZ.Zhu	2024/9/20	Nick

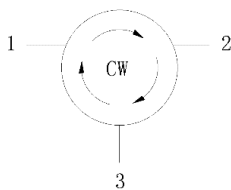


Applications:

- Wireless Infrastructure
- Power Amplifier

Features:

- Operating frequency range: 6425MHz to 6825MHz
- Operating temperature range: -40°C to +120°C
- Storage temperature range: -60°C to +150°C
- Small surface-mount package delivered on T&R
- BeOfree&RoHS compliant



Block Diagram



Electrical Specifications:

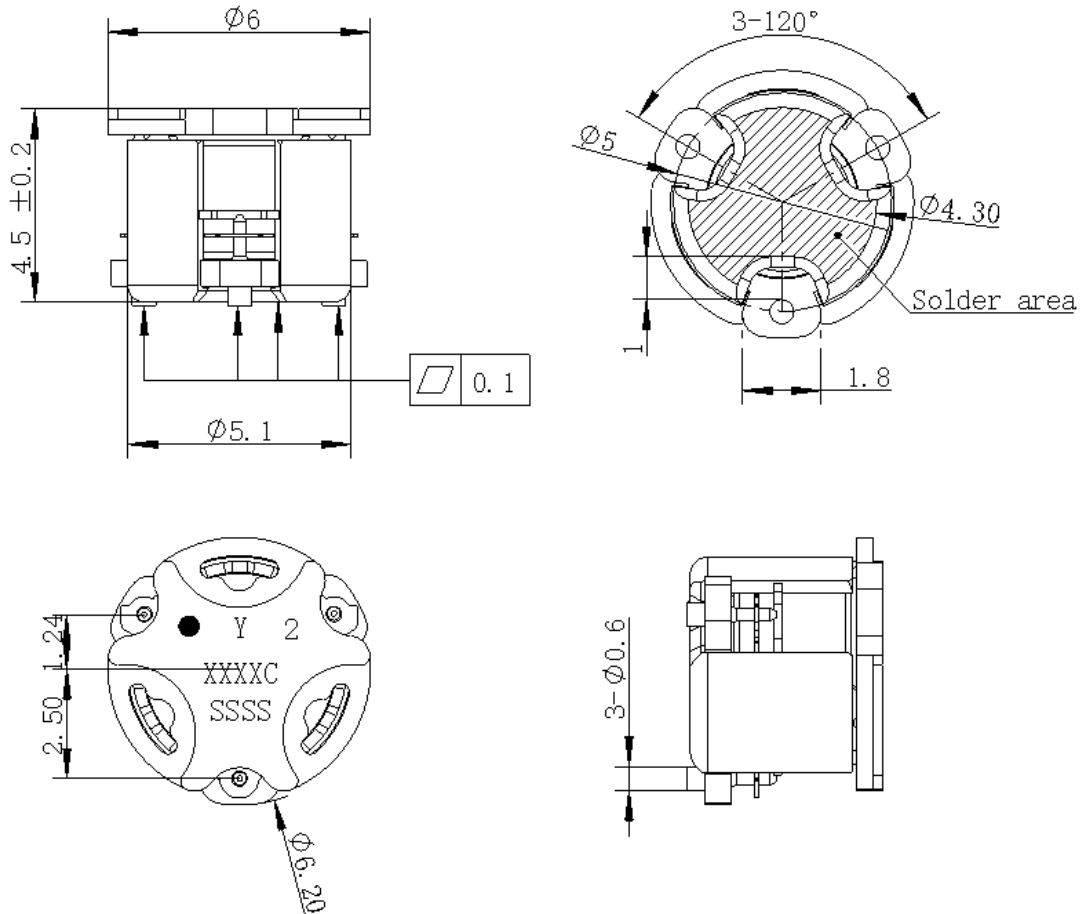
ITEM	SPECIFICATION	
Frequency	6425~6825	MHz
Extend Frequency	6225~7025	MHz
Direction	CW	
Output Impedance	Typ: 50	Ω
Insertion Loss (Max.)	0.40	dB
Isolation (Min.)	21 16@6225~7025MHz	dB
Return Loss (Min.)	21	dB
3rd IMD (Max.)	-55@ 2X2.5W CW tones ,spacing 1MHz	dBc
2nd Harmonic	5	dB
3rd Harmonic	5	dB
Group delay	2	ns
Power FWD/REV/PEAK	5/5/40	W
Input Impedance (Real)	42~58	Ω
Input Impedance (Imaginary)	-9j~+9j	Ω
Resonance out of	6225~7025MHz	MHz

Notes:

1. Exposure to maximum rating conditions for extended periods may reduce device reliability. There is no damage to device with only one parameter set at the limit and all other parameters set at or below their nominal value. Exceeding any of the limits listed here may result in permanent damage to the device.
2. Performance is guaranteed under the conditions listed in this table and over the operating temperature range.



Mechanical Specifications:



Unit: Millimeters

Notes:

1. The housing and pins are silver-plated.
2. Tolerance ± 0.2 mm unless otherwise specified.
3. Co-planarity Specification: 0.1mm maximum.
4. PartNumber, Lot Code, and Port Designation are printed on the top side of device
5. The "Y" show on the label represents the producing year, when printing the producing year, A stands for 2022, B for 2023, C for 2024, and soon (reference DP's file WDPT PD-003).
6. The **XXXXC** on the label represents the last five digits of the PartNumber.
7. The **SSSS** on the label represents the serial number
8. The black dot on the label represents the input port