

Travelling Merchant: _____

DATASHEET

Standard: 075A-L319-19.44MHz-A

P/N: _____

Plot			The Label
Drew	Audited	Approved	Stamp, please! Thanks!
Date: 2024.09.10			

Guangdong Dapu Telecom Technology Co.,Ltd

Building 5, No.24, Industrial Road East, Songshanhu Park, Dongguan, Guangdong, P.R. China

TEL: 0086-0769-88010888 FAX: 0086-0769-81800098



1. Electrical Parameters

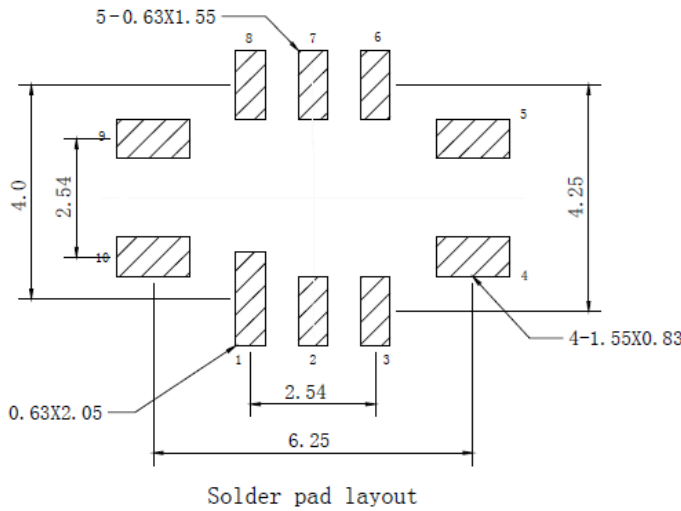
MODEL: O75A-L319-19.44MHz-A						
Item	Description	Parameters			Unit	Test Condition
		Min.	Typ.	Max.		
Output	Frequency	19.44			MHz	
	Output Waveform	HCMOS				
	Output Low Voltage			0.4	V	$V_{cc}=3.3V, O_{load}=15\text{ pF}$
	Output High Voltage	2.4			V	$V_{cc}=3.3V, O_{load}=15\text{ pF}$
	Duty Cycle	45		55	%	@50%
	Rise / Fall Time			6	ns	10%~90%
	Load	15			pF	
Frequency Stabilities	Frequency Tolerance vs. Operating Temperature Range	-0.05		+0.05	$\times 10^{-6}$	T_A varied from -40°C to 95°C , measurement referenced to frequency observed with $f_{ref}=(f_{max}+f_{min})/2, V_{cc}=3.3V, O_{load}=15\text{ pF}$, temperature variable speed less than 2°C per minute.
	Initial Frequency Tolerance	-1		+1	$\times 10^{-6}$	Measurement referenced to frequency observed with $T_A=25^{\circ}\text{C}, V_{cc}=3.3V$, at time of shipment.
	Reflow Shift	-0.5		+0.5	$\times 10^{-6}$	After 1 hour recovery at 25°C .
	Frequency Tolerance vs. Supply Voltage	-0.01		+0.01	$\times 10^{-6}$	measurement referenced to frequency observed $T_A=25^{\circ}\text{C}, V_{cc}$ varied from 3.135V to 3.465V, and $O_{Load}=15\text{ pF}$.
	Frequency Tolerance vs. Load	-0.01		+0.01	$\times 10^{-6}$	5% load change measurement referenced to frequency observed with $T_A=25^{\circ}\text{C}, V_{cc}=3.3V, O_{Load}=15\text{ pF}$.
	Frequency Slope(in still air)	-3		+3	$\times 10^{-9}/^{\circ}\text{C}$	Temperature ramp $\leq 1^{\circ}\text{C}/\text{min}$
	G-Sensitivity			1	$\times 10^{-9}/\text{g}$	Gamma vector of all three axes from 30Hz to 1500Hz.
	Short Term Stability			0.07	$\times 10^{-9}$	Temperature stability, no EMI\EMC or other interference, test after power for 1hour ref. to $25^{\circ}\text{C}; 1\text{ s}$.
	Aging Tolerance Per Day	-3		+3	$\times 10^{-9}$	$T_A=25^{\circ}\text{C}, V_{cc}=3.3V$, and after 30 days of operation.
	Aging Tolerance 1 Year	-0.5		+0.5	$\times 10^{-6}$	
	Aging Tolerance 10 Years	-2		+2	$\times 10^{-6}$	



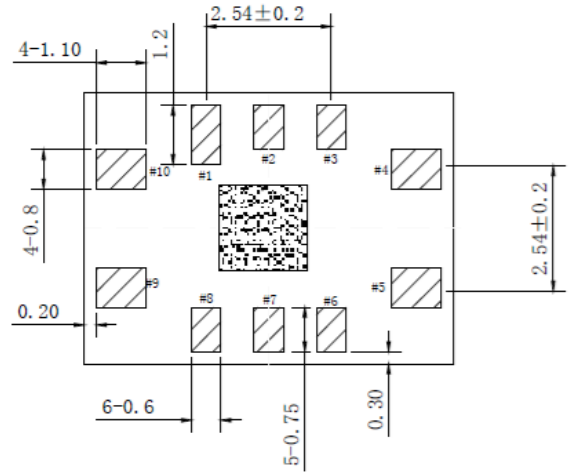
Power Supply	Steady Consumption			230	mA	@25°C	
	Warm up current			650	mA		
	Supply Voltage	3.135	3.3	3.465	V		
	Warm up time			3	minute	Time needed for frequency to be within ± 0.1 ppm reference to frequency after 1 hour, at 25°C	
Phase Noise	Phase Noise @25°C		-73	-68	dBc/Hz	1Hz	
			-104	-99		10Hz	
			-127	-122		100Hz	
			-146	-141		1KHz	
			-155	-150		10KHz	
			-158	-153		100KHz	
			-159	-154		1MHz	
Environmental Conditions	Operating Temperature	-40		+95	°C		
	Storage Temperature	-55		+105	°C		
	Relative Humidity Range	5		95	%		
	Absolute Humidity Range	1		29	g/m ³		
	Air Pressure Range	70		106	kPa		
	ESD Level	Human Body Model,class2: 2000V to 4000V; ANSI/ESDA/JEDEC JS-001-2010.					
		Machine Model, class B: 200V to 400V; JEDEC JESD22-A115C.					
	Moisture Sensitivity Level	Level 3.					
	Vibration	Test Condition: 0.75mm ;acceleration:10g;10Hz~2000Hz, one cycle per 30 min, test 2 hour. (3 times for each 3 directions X ,Y , Z).IEC 68-2-06 Test Fc.					
	Shock	100g; 6ms; half sine wave (3 times for each 3 directions X ,Y , Z),IEC 68-2-27 Test Ea/Severity 50A.					



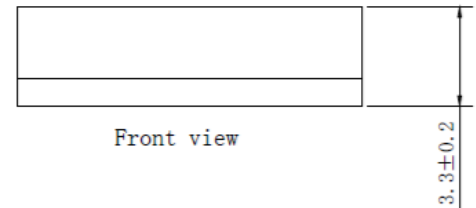
2.Mechanical Structure(mm)



Right view



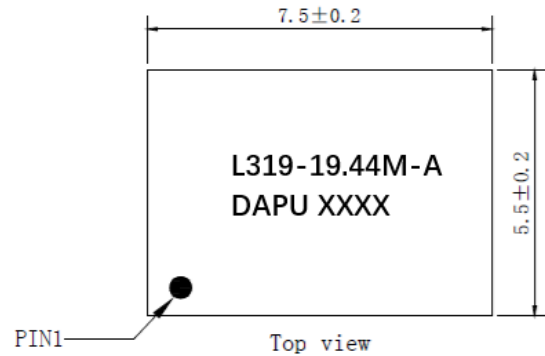
Bottom view



Front view

Pin Function

Pin	Function
1, 2, 3, 6, 7, 8	NC
4	GND
5	OUTPUT
9	VCC
10	NC



Note1: Tolerance $\pm 0.2\text{mm}$ without mark

Note2: The first two xx representative: year

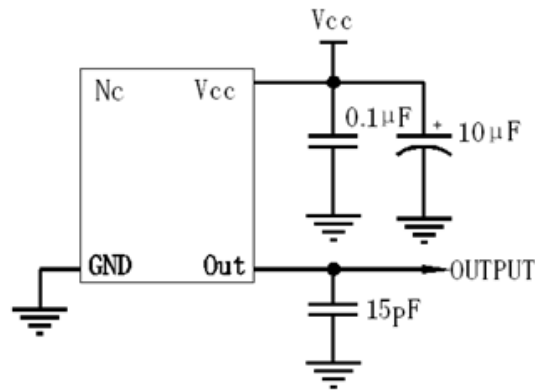
After two xx representative: week

Note3: Referential Weight 0.3g

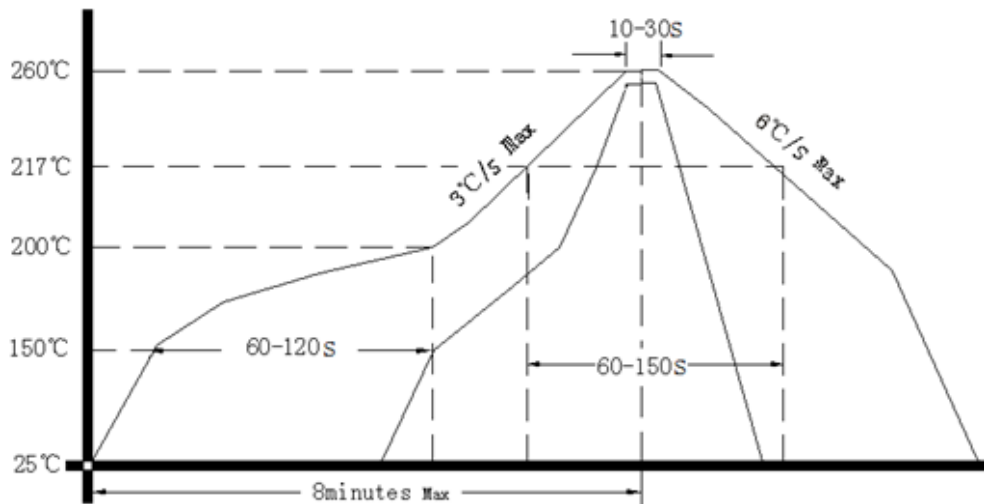
Note4: NC is not connect



3. Test circuit



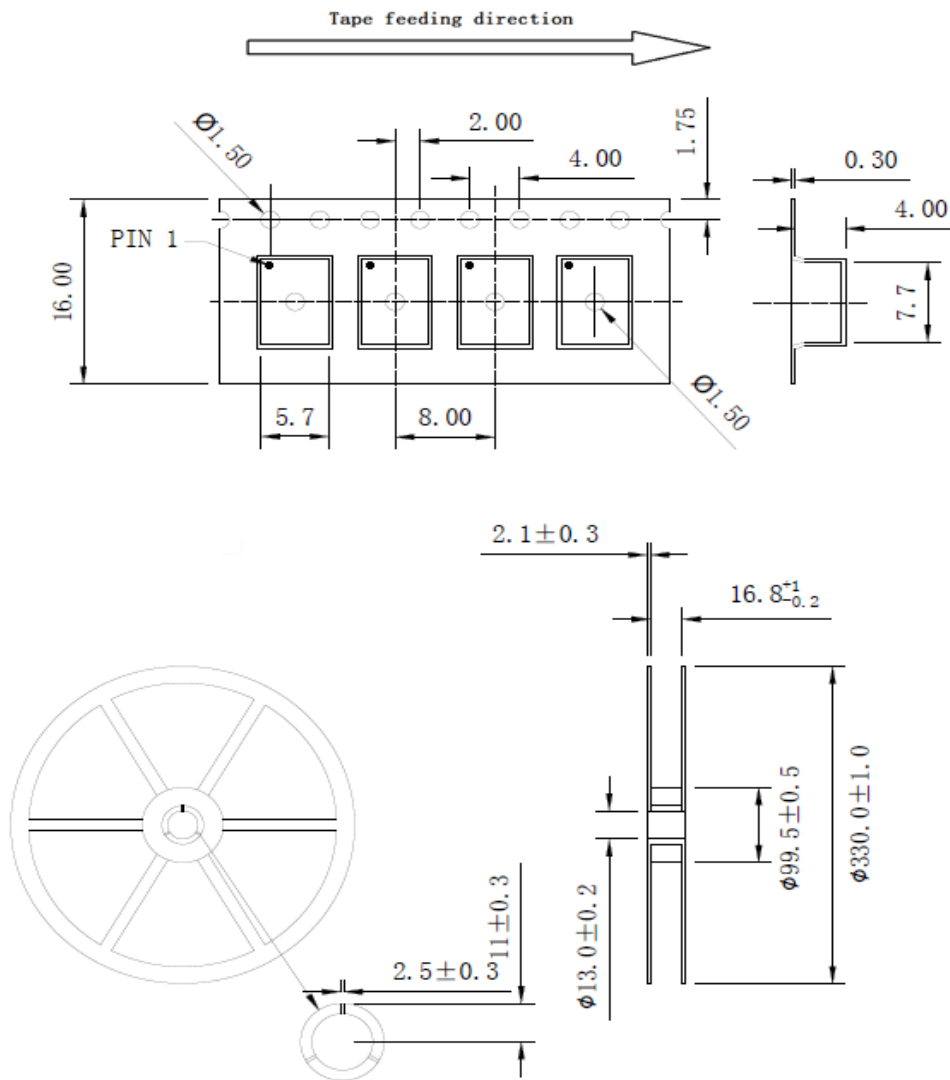
4. Reflow Soldering Curve (RoHS)



Note: Passing through reflow upside down is not supported



5. Package: Tape & Reel (mm)



2000PCS/Reel
Material:HIPS(475)