



DP3373S

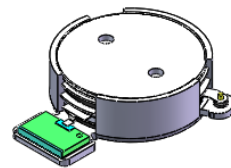
ENG PART: DP-27.28IM-1805T2170-CW

1805MHz to 2170MHz Single-Junction Surface Mount Isolator

REV.	DESCRIPTION	REVISOR	DATE	APPROVED
A	Creating datasheet	ZZ.Zhu	2024/9/4	Nick

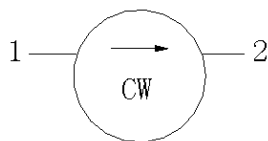
Applications:

- Wireless Infrastructure
- Power Amplifier



Features:

- Operating frequency range: 1805MHz to 2170MHz
- Operating temperature range: -40°C to +125°C
- Storage temperature range: -40°C to +125°C
- Small surface-mount package delivered on T&R
- BeO free & RoHS compliant



Block Diagram

**Electrical Specifications:**

ITEM	SPECIFICATION	
Frequency	1805~2170	MHz
Direction	CW	
Impedance	Typ: 50	Ω
Insertion Loss (Max.) @-40~+115 $^{\circ}$ C	0.30@1805~2170MHz 0.20@1805~1880MHz & 2110~2170MHz	dB
Insertion Loss (Max.) @+115~+125 $^{\circ}$ C	0.23@1805~1880MHz & 2110~2170MHz	dB
Isolation (Min.)	20@1805~2170MHz 23@1805~1880MHz & 2110~2170MHz 20@1785~1805MHz & 2170~2190MHz 10@1655~1785MHz & 2190~2290MHz	dB
Return Loss (Min.)	20@1805~2170MHz (0~+125 $^{\circ}$ C) 17@1805~2170MHz (-40~0 $^{\circ}$ C) 23@1805~1880MHz & 2110~2170MHz (0~+125 $^{\circ}$ C) 20@1805~1880MHz & 2110~2170MHz (-40~0 $^{\circ}$ C) 20@1785~1805MHz & 2170~2190MHz 6@1655~1785MHz & 2190~2290MHz	dB
3rd IMD (Max.)	-69@2x75W CW tones 1805~1880MHz & 2110~2170MHz	dBc
5th IMD (Max.)	-79@2x75W CW tones 1805~1880MHz & 2110~2170MHz	dBc
Harmonics	0@2x f 150W CW -10@3x f 150W CW -10@4x f 150W CW -35@5x f 150W CW -25@6x f 150W CW -25@7x f 150W CW	dBm
Out of band attenuation	10@2x f 10@3x f@1805~1880MHz 5@3x f@2110~2170MHz 5@nx f (n=order of in- band frequency multiple)	dB
Group delay	2.8	ns
Deviation from nominal delay	± 0.05	ns
Power FWD/REV/PEAK	200/100/1500	W
Max voltage rating	1080	V
Impedance control (the reference point at Isolator Pad) , real	50 ± 4.5 @1805-1880MHz&2110-2170MHz	Ω
Impedance control (the reference point at Isolator Pad) , imaginary	± 5.5 @1805-1880MHz&2110-2170MHz	j Ω



GuangdongDapuTelecomTechnologyCo.,Ltd

<http://www.dptel.com>

Bldg13-16,.N.Ind.Zone,SSLIndustry
Park,DongguanCity,Guangdong
Province,PRChina
TEL:0086-0769-88010888
FAX:0086-0769-81800098

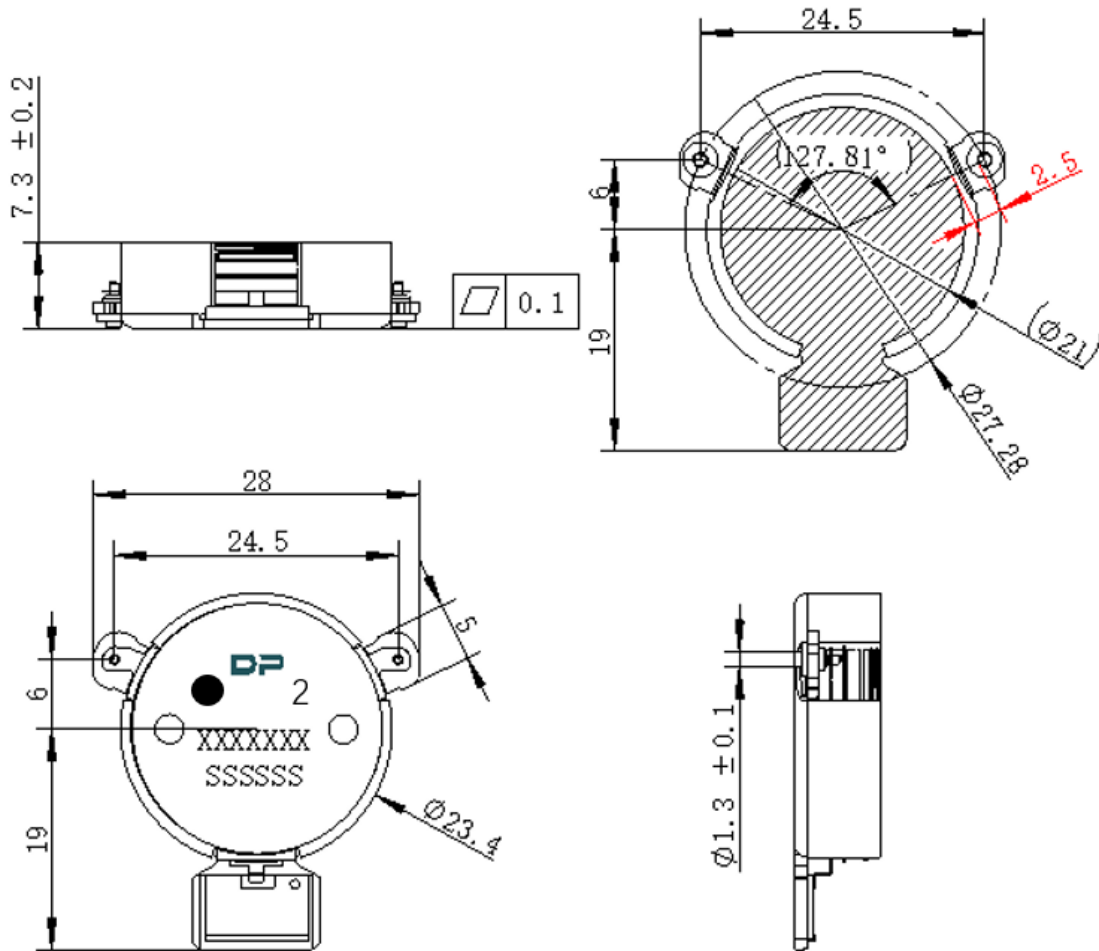
Termination/Attenuator	150/-	W/dB
No resonance during@1805~1880MHz	1655~2030MHz	
No resonance during@2110~2170MHz	1990~2290MHz	

Notes:

1. Exposure to maximum rating conditions for extended periods may reduce device reliability. There is no damage to device with only one parameter set at the limit and all other parameters set at or below their nominal value. Exceeding any of the limits listed here may result in permanent damage to the device.
2. Performance is guaranteed under the conditions listed in this table and over the operating temperature range.
3. Performance will not degrade by > 10% (Insertion loss > 20%) with an operating temperature of up to 130 °C.



Mechanical Specifications:



Unit: Millimeters

Notes:

1. The housing and pins are silver-plated.
2. Tolerance ±0.2mm unless otherwise specified.
3. Co-planarity Specification: 0.1mm maximum.
4. Part Number, Lot Code, and Port Designation are printed on the top side of device.
5. Part Number format shall be XXXXXXX
6. Serial Number format shall be SSSSSS
7. The black dot on the label represents the input port



Packaging Style:

ITEM	W	A0	B0	K0	D	E	F	F2	P	P0	P2	T
DIM	56	Φ23.8	31.1	7.8	Φ1.5	1.75	26.25	52.5	44	4	2	0.5
TOLE	±0.3	±0.2	±0.2	+0.2	+0.1	±0.1	±0.15	±0.1	±0.1	±0.1	±0.1	±0.05

