

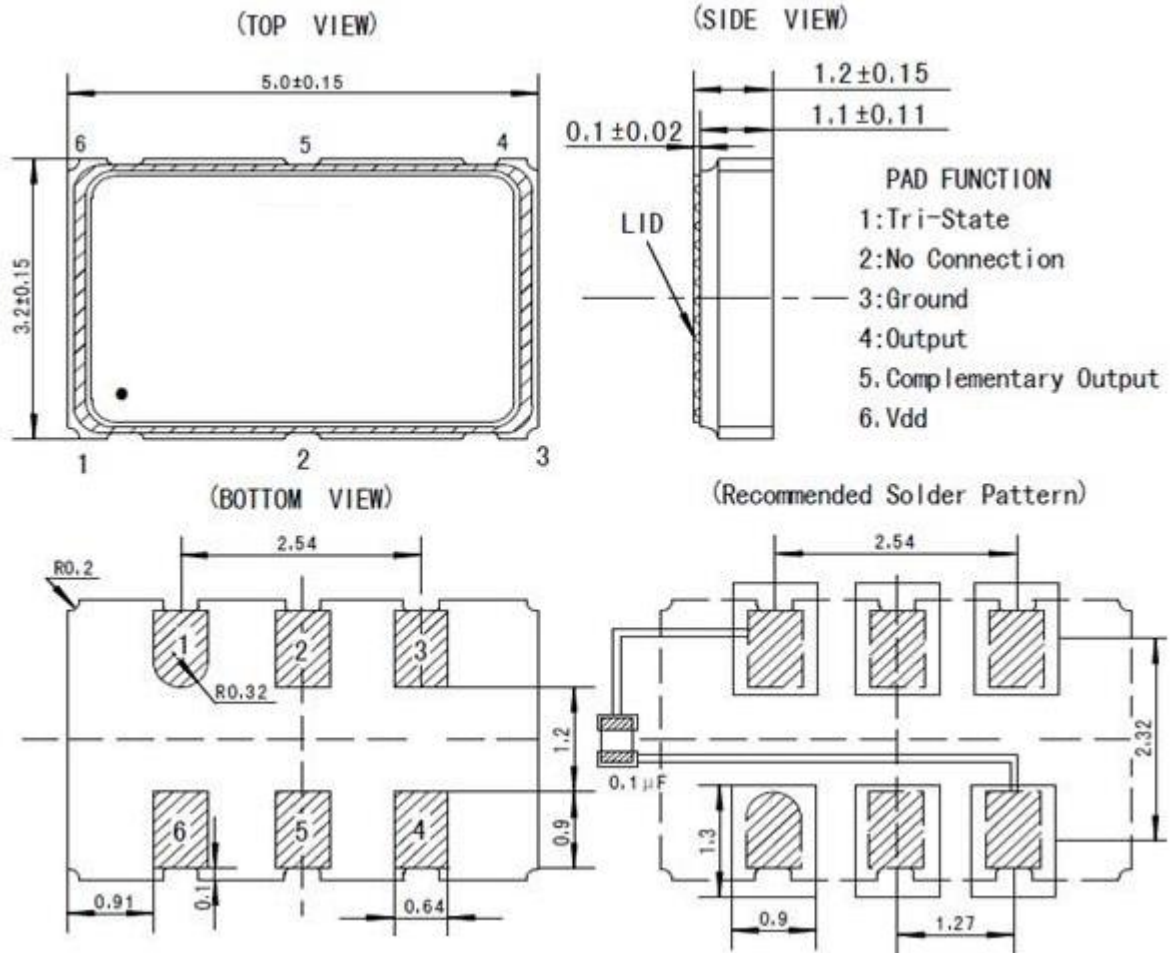


1、 Electrical Parameters

MODEL: DPCE125M0001							
No.	Parameters	SYM.	Electrical Spec.				Notes
			Min.	Typ.	Max.	Units	
1	Nominal Frequency	FL	125.000			MHz	
2	Vibration Mode	-	3rd				
3	Output Waveform	-	LVDS				
4	Total stability	F-stab	-25		+25	$\times 10^{-6}$	Include frequency tolerance@25°C and frequency stability vs. operating temperature range and voltage variance.
5	Operating Temperature	-	-40	25	85	°C	
6	Storage temperature range	-	-55		125	°C	
7	Operating Supply Voltage	Vdd	2.97	3.3	3.63	V	
8	“H” Output voltage	VOH			1.6	V	100±1 Ω (R1+R1 between OUT-OUTN)
9	“L” Output voltage	VOL	0.9			V	
10	Max Supply Voltage Range	-	-0.5		5	V	
11	Supply Current	Icc			50	mA	
12	Start up Time	-			10	mS	
13	Rise and Fall Time	Tr/Tf			0.5	nS	@20%-80%
14	Duty Cycle	-	45		55	%	@Vcc-1.3V
15	Aging	-	-3		+3	$\times 10^{-6}$	1year@25°C
16	Jitter	RMS			0.2	ps	12kHz ~ 20MHz
17	Phase Noise				-60	dBc	10Hz
					-95	dBc	100Hz
					-120	dBc	1KHz
					-135	dBc	10KHz
					-143	dBc	100KHz
					-148	dBc	1MHz
18	Enable Feature						
19	“H” Input Voltage	VIH	Vcc*0.7			V	
20	“L” Input Voltage	VIL			Vcc*0.3	V	
21	E/D (Pin 1)	Logic “1”Or Floating input, Outputs enable; Logic “0” ,Outputs disable					

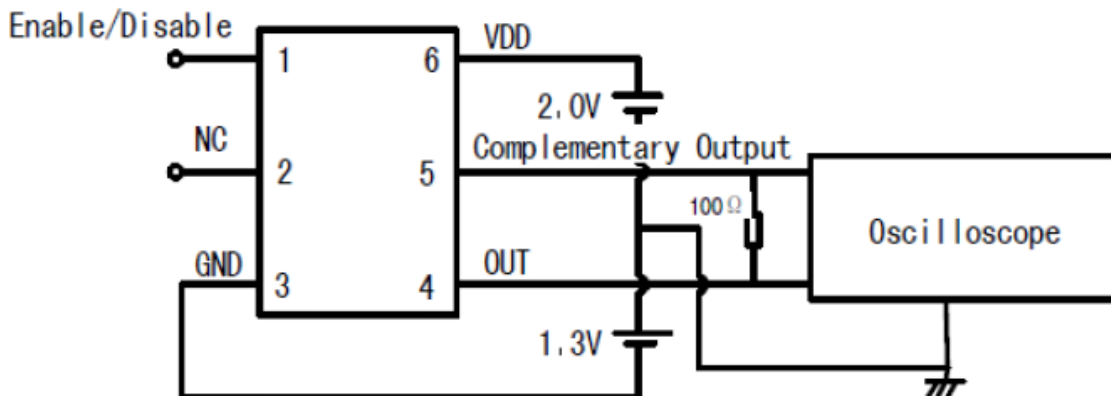


2、Mechanical Structure(mm)



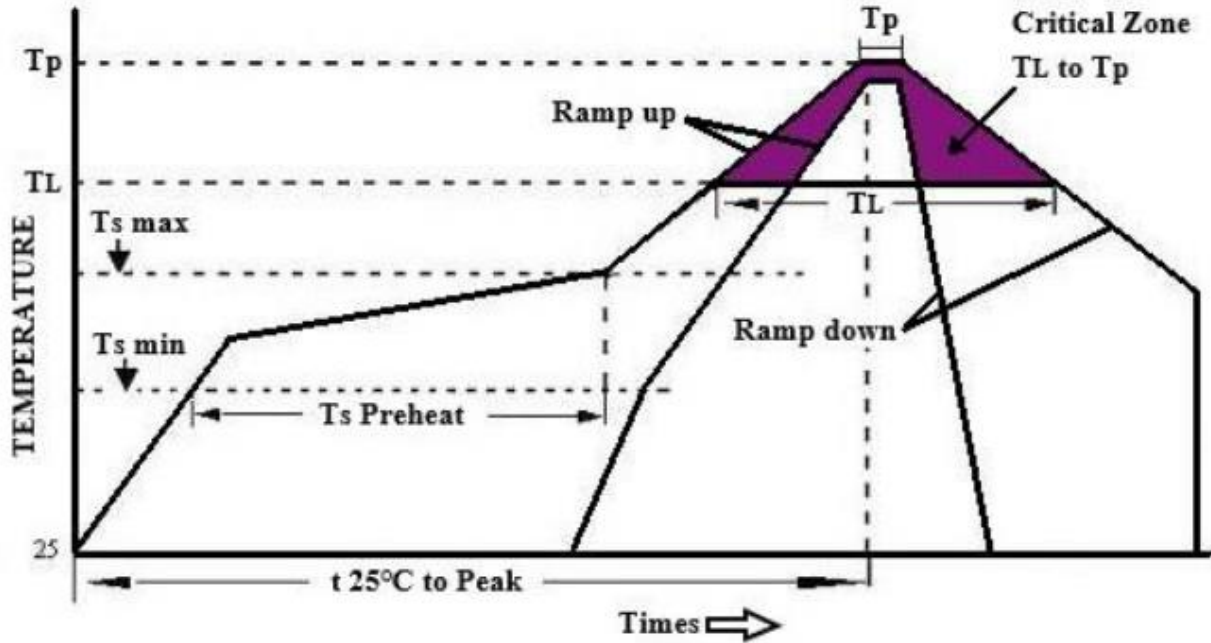
Note1: Tolerance ±0.2 mm

3. Test Circuit





4. Reflow Soldering Curve (RoHS)



High Temperature Infrared /Convection

Note:Temperature shown are applied to body of device

Ts max to TL(Ramp-up Rate)	3°C/second max
Preheat	
Temperature Min(Ts Min)	150°C
Temperature Typical(Ts Typ)	175°C
Temperature Max.(Ts Max)	200°C
Time(ts)	60-180 seconds
Ram-up Rate(T _L to T _p)	3°C/second Max
Time Maintained Above:	
--Temperature(T _L)	217°C
--Time(T _L)	60-150seconds
Peak Temperature (T _p)	260°C Max for 10 seconds
Time within 5°C of actual peak(t _p)	20-40 seconds
Ramp-down Rate	6°C/seconds Max
Tune 25°C to Peak Temperature(t)	8 minutes Max
Moisture Sensitivity Level	Level 1

High Temperature Manual Soldering

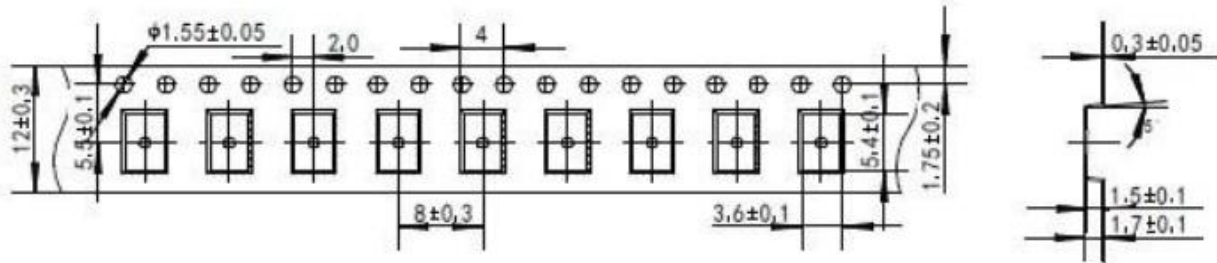
Note:Temperature shown are applied to body of device

260°C Max for 10 seconds Max. 4 times Max

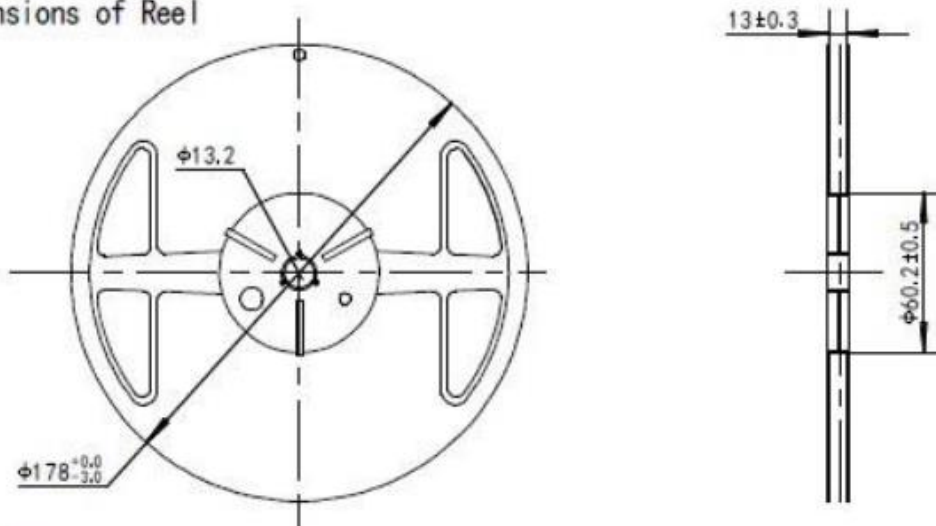


5. Package: Tape & Reel (mm)

1. Dimensions of Carrier Tape



2. Dimensions of Reel



3. Packing

1 reel/box 1 reel=1000pcs

10 boxes/carton (the carton with bubble pad on four sides)

