

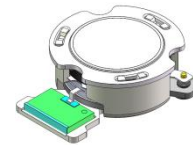


DP3437S

ENG PART:DP-20.4IM-900T1100-CW

900MHz to 1100MHz Single-Junction Surface Mount Isolator

REV.	DESCRIPTION	REVISOR	DATE	APPROVED
A	SAME AS REV.1	ZZ.Zhu	2024/9/3	Nick

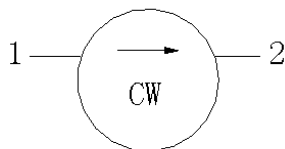


Applications:

- Wireless Infrastructure
- Power Amplifier

Features:

- Operating frequency range: 900MHz to 1100MHz
- Operating temperature range: -40°C to +85°C
- Storage temperature range: -40°C to +130°C
- Small surface-mount package delivered on T&R
- BeOfree&RoHS compliant



Block Diagram



Electrical Specifications:

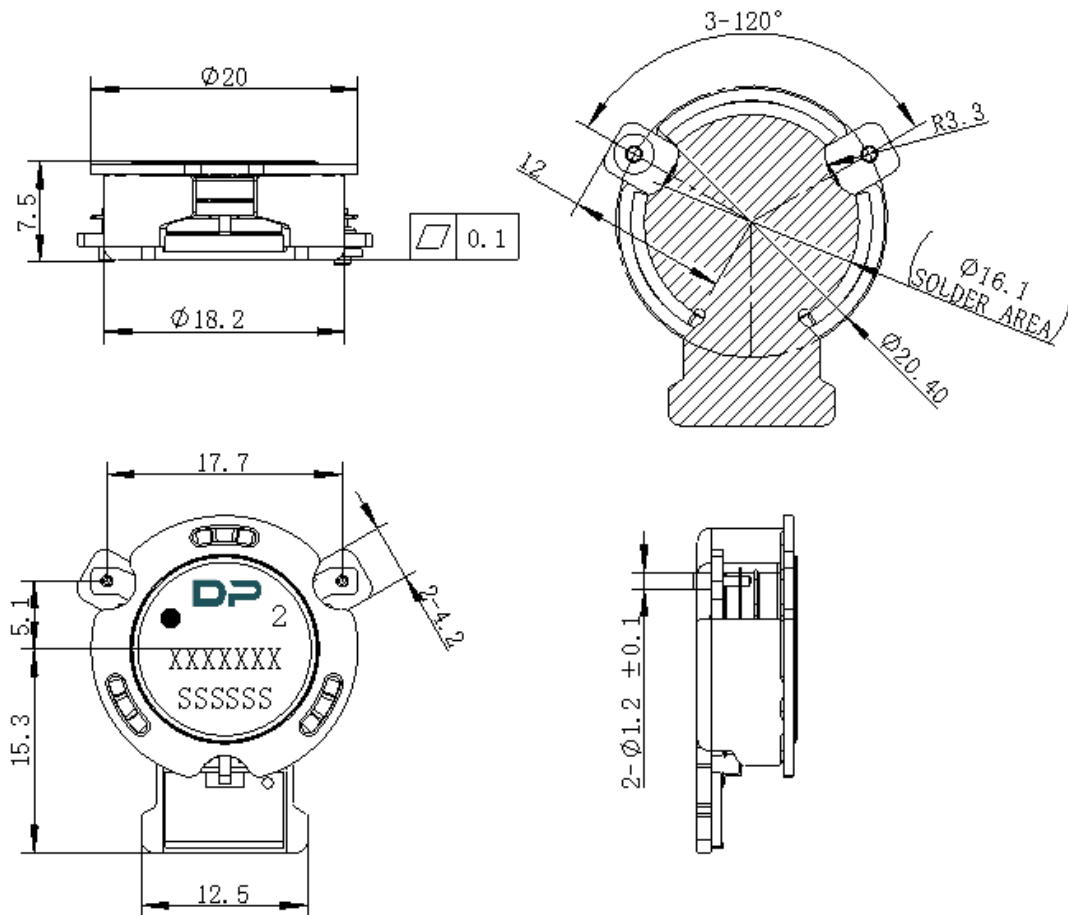
ITEM	SPECIFICATION	
Frequency	900~1100	MHz
Direction	CW	
Impedance	Typ: 50	Ω
Insertion Loss (Max.)	0.40@25±5°C 0.45@-40~+85°C	dB
Isolation (Min.)	18@25±5°C 16@-40~+85°C	dB
Return Loss (Min.)	18@25±5°C 16@-40~+85°C	dB
3rd IMD (Max.)	/	dBc
Group delay	/	ns
Resonance point of out-off-band	/	MHz
2nd harmonicsuppression	/	dBc
3rd harmonicsuppression	/	dBc
Power FWD/REV/PEAK	150/100/1000	W
Termination/Attenuator	150/-	W/dB
Input Impedance ,real	/	Ω
Input Impedance ,imaginary	/	Ω

Notes:

1. Exposure to maximum rating conditions for extended periods may reduce device reliability. There is no damage to device with only one parameter set at the limit and all other parameters set at or below their nominal value. Exceeding any of the limits listed here may result in permanent damage to the device.
2. Performance is guaranteed under the conditions listed in this table and over the operating temperature range.
3. Performance will not degrade by > 10% (Insertion loss > 20%) with the operating temperature up to 130 °C.



Mechanical Specifications:



Unit: Millimeters

Notes:

1. The housing and pins are silver-plated.
2. Tolerance ± 0.2 mm unless otherwise specified.
3. Co-planarity Specification: 0.1 mm maximum.
4. Part Number, Lot Code, and Port Designation are printed on the top side of device.
5. The XXXXXXX on the label represents the part number
6. The SSSSSS on the label represents the serial number
7. The black dot on the label represents the input port