

Customer Code : _____

DATASHEET

DAPU P/N: DPZ2220M000JG091-02

Plot			The Label
Drew	Audited	Approved	Stamp, please! Thanks!
Jieshu ZHENG	Jianhua LIN	Gangtao FENG	
Date: 2024.09.02			

Guangdong Dapu Telecom Technology Co.,Ltd

Building 5, No.24, Industrial East Road, Songshanhu Park, Dongguan, Guangdong, P.R. China

TEL: 0086-0769-88010888 FAX: 0086-0769-81800098

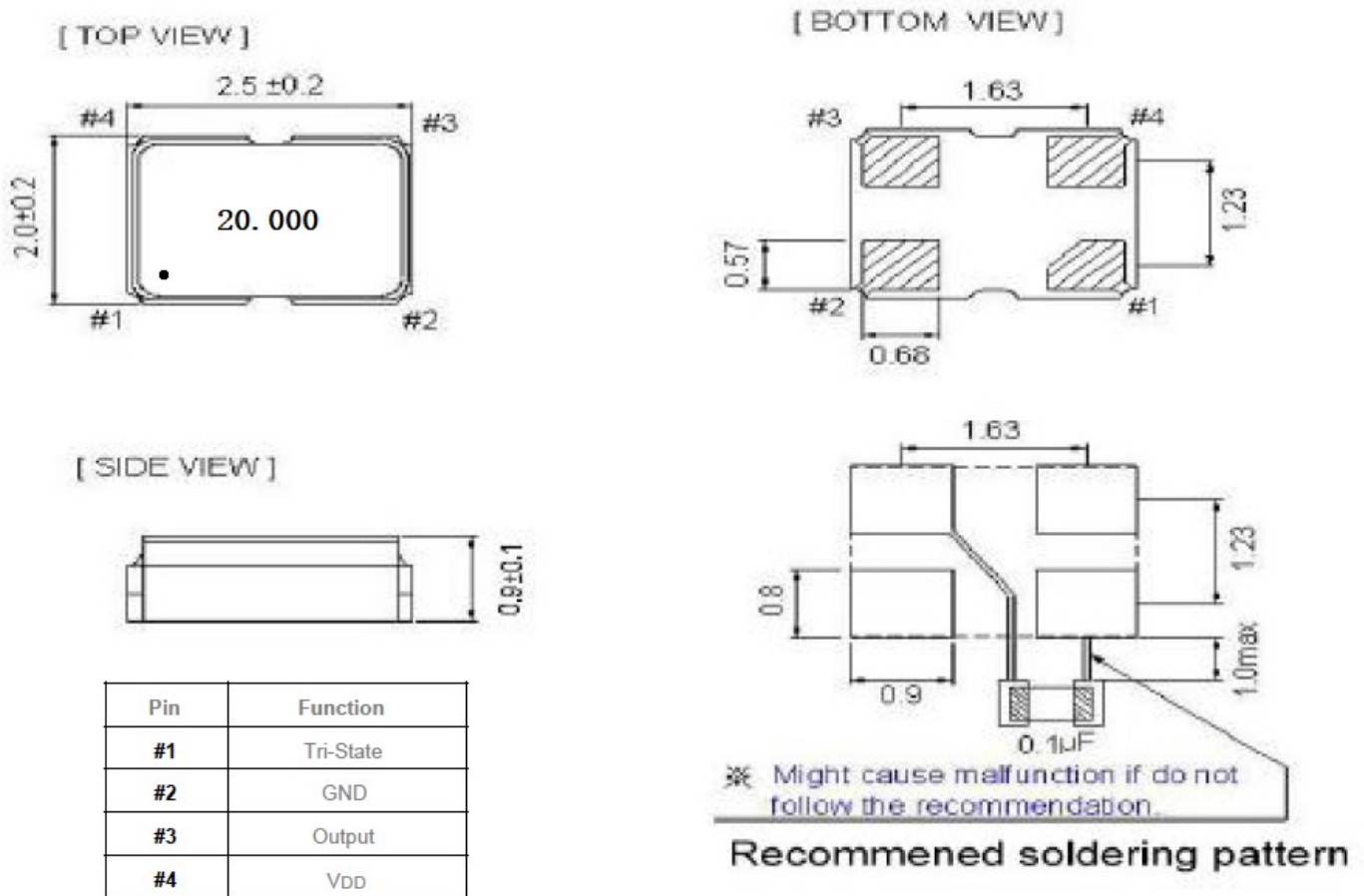


1、Electrical Parameters

MODEL: DPZ2220M000J							
No.	Parameters	SYM.	Electrical Spec.				Notes
			Min.	Typ.	Max.	Units	
1	Nominal Frequency	FL	20.000			MHz	
2	Output Waveform		CMOS				
3	Output Load		15			pF	
4	Frequency stability		-20		+20	$\times 10^{-6}$	@25°C
5	Operating Temperature	Topr	-40		+85	°C	The operating temperature range over which the frequency stability is measured
6	Storage Temperature	Tstg	-55		+125	°C	
7	Supply Voltage	VDD	1.65		3.45	V	
8	Current	Icc			1.5	mA	At maximum supply voltage, no external load
9	Aging	-	-3	-	+3	$\times 10^{-6}/\text{yr.}$	Frequency drift in first year
10	Output Voltage High	VoH		-	-	V	
11	Output Voltage Low	Vol	-	-	0.18	V	
12	Duty Cycle	-	45	50	55	%	
13	Rise Time	Tr	-	-	50	ns	
14	Fall Time	Tf	-	-	50	ns	
15	Start Time	Tosc	-	-	2	ms	
17	Output Active	VHI	1.26 or Floating			V	Pin 1 Tri-state
18	Output in High-Impedance state	VLO			0.54	V	

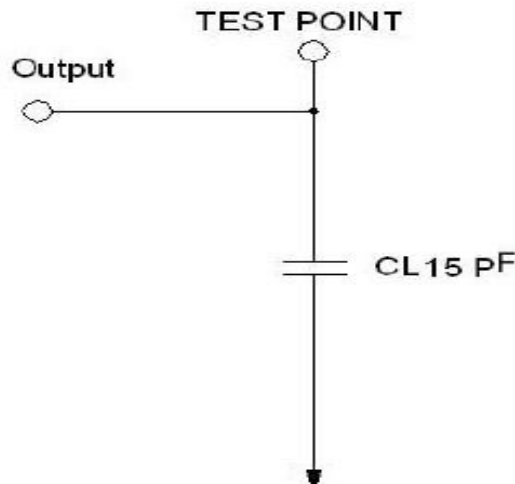


2、Mechanical Structure(mm)



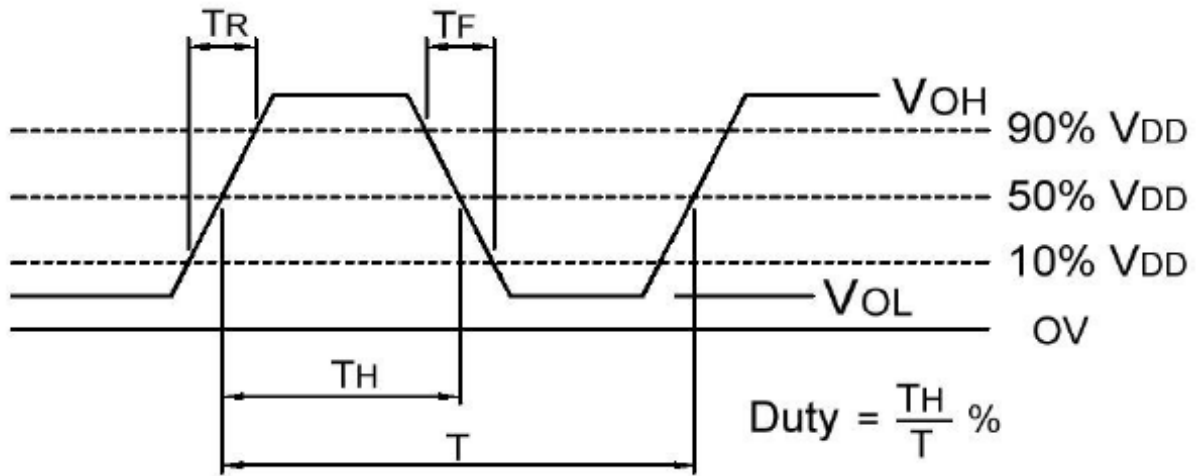
Note1: Tolerance ± 0.2mm without mark

3、Test Circuit

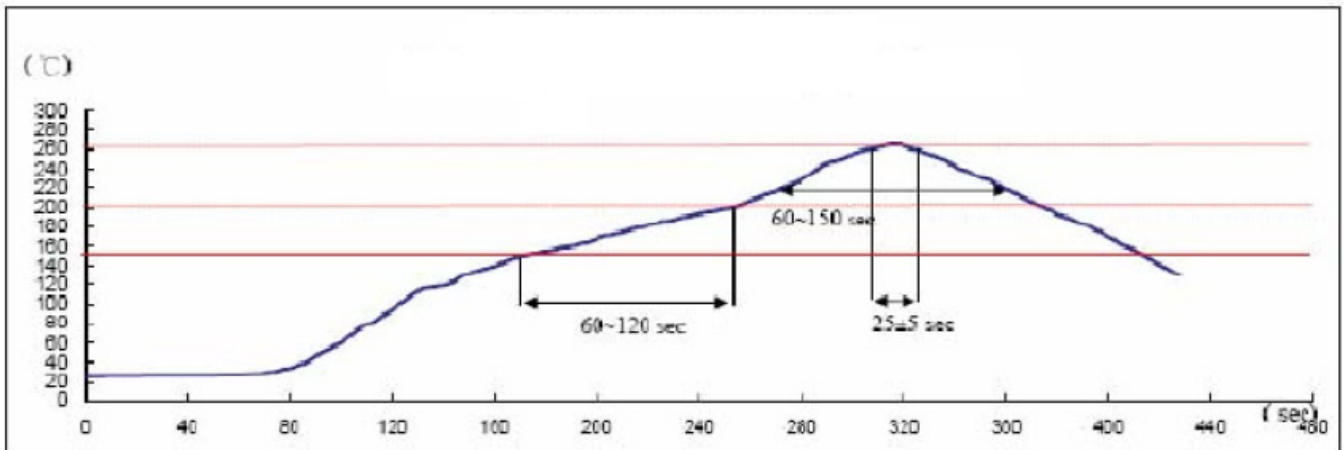




4、 Output Waveform(CMOS Load)



5、 Recommended Ir Reflow Profile



IR-Reflow Test

Reference Standard : JEDEC-STD 020

Test Conditions: Pre-heating : 150°C to 200 °C , 60~120 sec

Heating : 217 °C , 60~150 sec

Peak Temperature : 260±5 °C , 25±5 sec



6、 Package: Tape & Reel (mm)

TAPE (CARRIER) DIMENSIONS

