

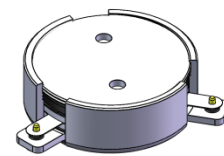


## DP3432C

### ENG PART: DP-28.4CM-3300T3600-CCW

3300MHz to 3600MHz Single-Junction Surface Mount Circulator

REV.	DESCRIPTION	REVISOR	DATE	APPROVED
A	Creating datasheet	ZZ.Zhu	2024/8/30	Nick

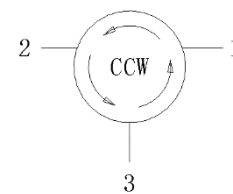


#### Applications:

- Wireless Infrastructure
- Power Amplifier

#### Features:

- Operating frequency range: 3300MHz to 3600MHz
- Operating temperature range: -40°C to +120°C
- Storage temperature range: -40°C to +165°C
- Small surface-mount package delivered on T&R
- BeOfree&RoHS compliant



Block Diagram



### Electrical Specifications:

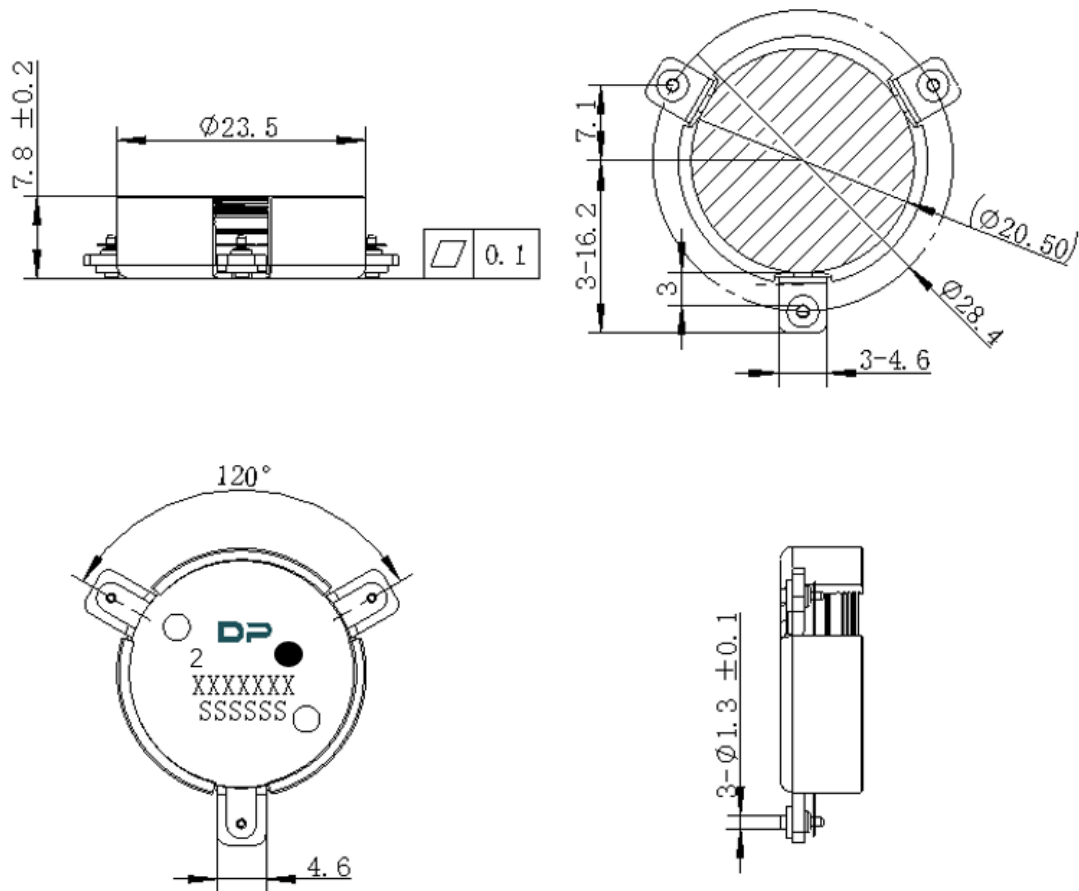
ITEM	SPECIFICATION	
Frequency	3300~3600	MHz
Extend frequency	-	MHz
Direction	CCW	
Impedance Port 1	Typ: 25	$\Omega$
Impedance Port 2 &Port 3	Typ: 50	$\Omega$
Insertion Loss (Max.)	0.4	dB
Isolation (Min.)	21	dB
Return Loss (Min)	21	dB
3rd IMD (Max.)	-65@2*50W CW,Spacing 1MHz	dBc
Group delay	/	ns
Ripple of group delay in extend frequency	/	ns
2nd harmonic	10	dB
3rd harmonic	5	dB
Power FWD/REV/PEAK	200/150/1500	W
Input Return Loss Impedance ,real	+20~+30	$\Omega$
Input Return Loss Impedance,imaginary	-7j~+7j	$\Omega$
Output Return Loss Impedance ,real	+43~+57	$\Omega$
Output Return Loss Impedance , imaginary	-7j~+7j	$\Omega$
Termination/Attenuator	-/-	W/dB

Notes:

1. Exposure to maximum rating conditions for extended periods may reduce device reliability. There is no damage to device with only one parameter set at the limit and all other parameters set at or below their nominal value. Exceeding any of the limits listed here may result in permanent damage to the device.
2. Performance is guaranteed under the conditions listed in this table and over the operating temperature range.
3. Performance will not degrade by > 10% (Insertion loss > 20%) with an operating temperature of up to 130 °C.



### Mechanical Specifications:



Unit: Millimeters

#### Notes:

1. The housing and pins are silver-plated.
2. Tolerance  $\pm 0.2$  mm unless otherwise specified.
3. Co-planarity Specification: 0.1 mm maximum.
4. Part Number, Lot Code, and Port Designation are printed on the top side of device.
5. Part Number format shall be XXXXXXX
6. Serial Number format shall be SSSSSS
7. The black dot on the label represents the input port