

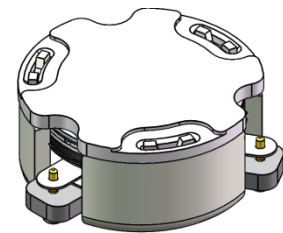


DP4235C

ENG PART: DP-15.5CM-2300T2400-CW

2300MHz to 2400MHz Single-Junction Surface Mount Circulator

| REV. | DESCRIPTION | REVISOR | DATE | APPROVED |
|------|--------------------|---------|-----------|----------|
| A | Creating datesheet | ZZ.Zhu | 2024/8/16 | Nick |

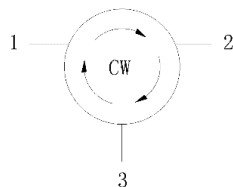


Applications:

- Wireless Infrastructure
- Power Amplifier

Features:

- Operating frequency range: 2300MHz to 2400MHz
- Operating temperature range: -40°C to +90°C
- Storage temperature range: -55°C to +125°C
- Small surface-mount package delivered on T&R
- BeO free & RoHS compliant



Block Diagram



Electrical Specifications:

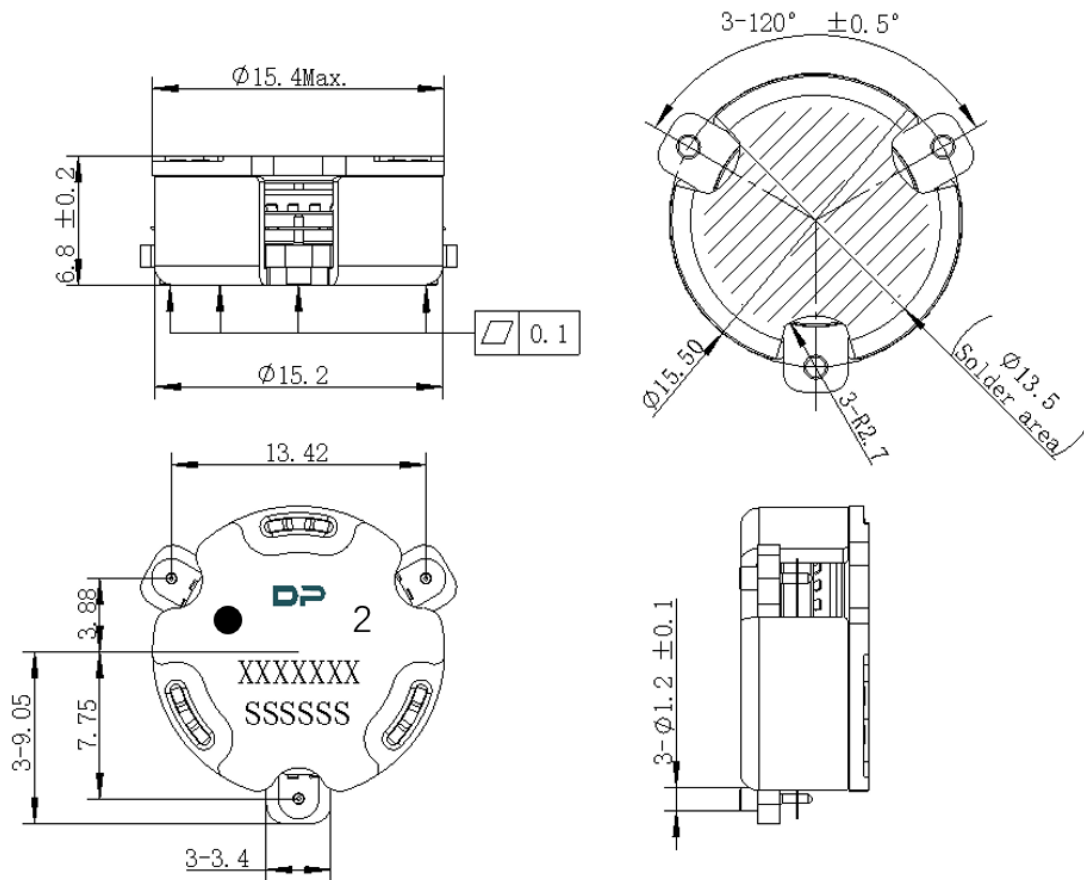
| ITEM | SPECIFICATION | |
|---|----------------------------|------------|
| Frequency | 2300~2400 | MHz |
| Direction | CW | |
| Impedance | Typ: 50 | Ω |
| Insertion Loss (Max.) | Typ:0.20 0.25@-40~+90°C | dB |
| Isolation (Min.) | 23 | dB |
| Return Loss (Min.) | 20 | dB |
| 3rd IMD (Max.) | -65@2*15W CW,Spacing1MHz | dBc |
| Extend frequency | - | MHz |
| Group delay | 2.0 | ns |
| Ripple of group delay in extend frequency | - | ns |
| Isolationof extend frequency | - | |
| 2nd harmonicsuppression | 15 | dBc |
| 3rd harmonicsuppression | 10 | dBc |
| Power FWD/REV/PEAK | 50/-/100 | W |
| Termination/Attenuator | - | W/dB |
| Input Impedance ,real | Min:45 Typ:50 Max:55 | Ω |
| Input Impedance ,imaginary | Min:-7 Typ: 0 Max:+3 | j Ω |
| Resonance point of out-off-band | - | |

Notes:

1. Exposure to maximum rating conditions for extended periods may reduce device reliability. There is no damage to device with only one parameter set at the limit and all other parameters set at or below their nominal value. Exceeding any of the limits listed here may result in permanent damage to the device.
2. Performance is guaranteed under the conditions listed in this table and over the operating temperature range.
3. Performance will not degrade by > 10% (Insertion loss > 20%) with an operating temperature of up to 130 °C.



Mechanical Specifications:



Unit: Millimeters

Notes:

1. The housing and pins are silver-plated.
2. Tolerance ± 0.2 mm unless otherwise specified.
3. Co-planarity Specification: 0.1mm maximum.
4. Part Number, Lot Code, and Port Designation are printed on the top side of device.
5. Part Number format shall be XXXXXXXX
6. Serial Number format shall be SSSSSS



Packaging Style:

| ITEM | W | A0 | B0 | K0 | D | E | F | F2 | P | P0 | P2 | T |
|------|------|------|-------|------|------|------|-------|------|------|------|------|-------|
| DIM | 32 | 17.8 | Φ15.6 | 7.2 | Φ1.5 | 1.75 | 14.2 | 28.5 | 24 | 4 | 2 | 0.5 |
| TOL | ±0.3 | ±0.2 | ±0.2 | ±0.2 | +0.1 | ±0.1 | ±0.15 | ±0.1 | ±0.1 | ±0.1 | ±0.1 | ±0.05 |

