

# 5mm SMD ISOLATOR

RF component

Datasheet Rev.:           A            
Date:           2024.08.06          

**Customer:**

**Product Name:**

DP-IL0525A742

DP-IL0525B742

**Customer P/N:**



GuangdongDapuTelecomTechnologyCo.,Ltd Building5, No.24, Gongye East Road,  
<http://www.dptel.com> SSL Sci & Tech Industry Park,  
Dongguan, Guangdong, China  
TEL: 0086-0769-88010888  
FAX: 0086-0769-81800098

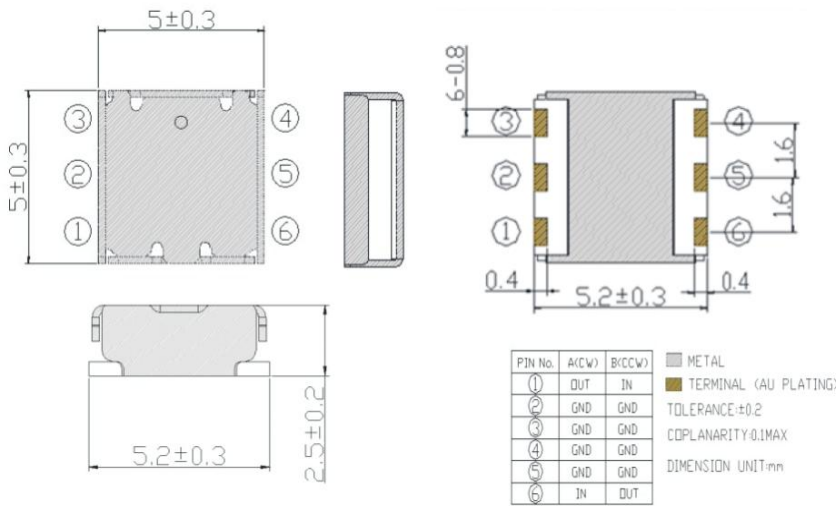
| Approved | Checked | Designer |
|----------|---------|----------|
| Nick     | Wison   | ZC.Wu    |

# 5mm SMD ISOLATOR

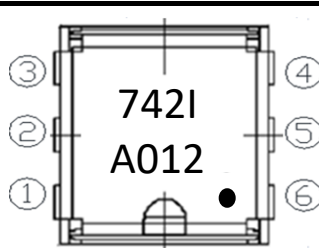
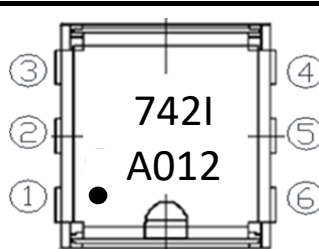
RF component

Datasheet Rev.:           A            
 Date:           2024.08.06          

## MECHANICAL SPECIFICATION



## MARKING

| Clockwise<br>DP-IL0525A742  | CounterClockwise<br>DP-IL0525B742   | ①/⑥ : Out/In Port<br>②~⑤: Ground   |
|---|---|--|
|  |  | <p>I: Isolator<br/>                     A: Year<br/>                     01: Week of Year<br/>                     2: Day of Week<br/>                     ●: Input Port</p> |

| Year Code |      |
|-----------|------|
| Year      | Code |
| 2019      | A    |
| 2020      | B    |
| 2021      | C    |
| 2022      | D    |
| 2023      | E    |
| 2024      | F    |
| ...       | ...  |

| Week Code |      |
|-----------|------|
| Week      | Code |
| 1         | 01   |
| 2         | 02   |
| 3         | 03   |
| 4         | 04   |
| 5         | 05   |
| 6         | 06   |
| ...       | ...  |

| Day Code  |      |
|-----------|------|
| Day       | Code |
| Monday    | 1    |
| Tuesday   | 2    |
| Wednesday | 3    |
| Thursday  | 4    |
| Friday    | 5    |
| Saturday  | 6    |
| Sunday    | 7    |

# 5mm SMD ISOLATOR

RF component

Datasheet Rev.:           A            
 Date:           2024.08.06          

## TEMPERATURE RANGE

Operating temperature range: -40~+85°C  
 Storage temperature range: -40~+125°C

## ELECTRICAL CHARACTERISTICS

| Parameter                      | Unit | Frequency (MHz) |  | DP Spec |      |      |      |
|--------------------------------|------|-----------------|--|---------|------|------|------|
|                                |      |                 |  | Min.    | Typ. | Max. |      |
| Frequency range                | MHz  | 728             |  | 757     | 728  |      | 757  |
| Insertion Loss                 | dB   | -               |  | -       |      |      | 0.90 |
| Isolation                      | dB   | -               |  | -       | 11   |      |      |
| Return Loss                    | dB   | -               |  | -       | 12   |      |      |
| IMD3 (2*25dBm, Span 5MHz)      | dBc  |                 |  |         |      |      |      |
| IMD3 typical                   | dBc  |                 |  |         |      |      |      |
| Power Handling (Average)       | W    |                 |  |         |      |      | 5    |
| Power Handling (Peak)          | W    |                 |  |         |      |      | 10   |
| Reflection power               | W    |                 |  |         |      |      | 2    |
| Characteristic Impedance (ohm) | Ω    |                 |  |         |      | 50   |      |
| Case Style                     | -    |                 |  |         |      | SMD  |      |

## NOTES

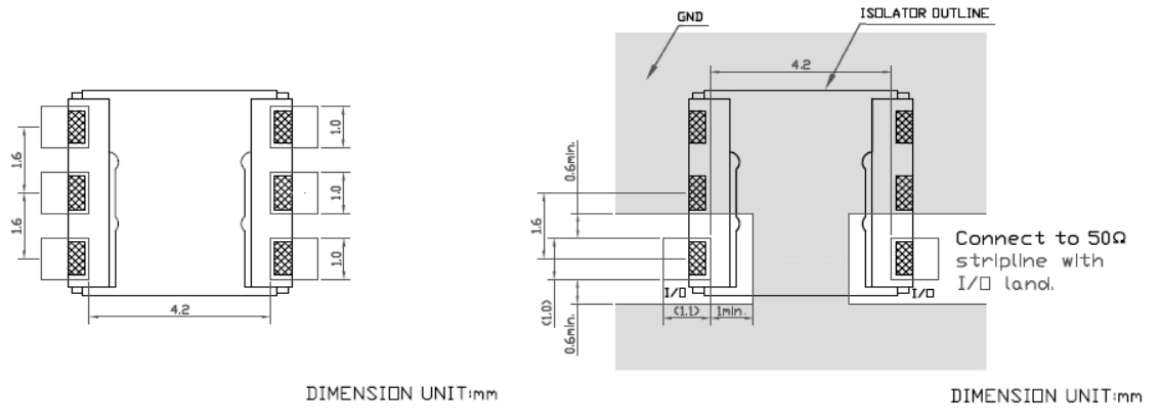
1. Recommend to keep 30mm above when mounted with other magnetic products.
2. RoHS compliance.
3. Isolator's characteristics are guaranteed at conditions listed at above table and it's operating temperature range.

# 5mm SMD ISOLATOR

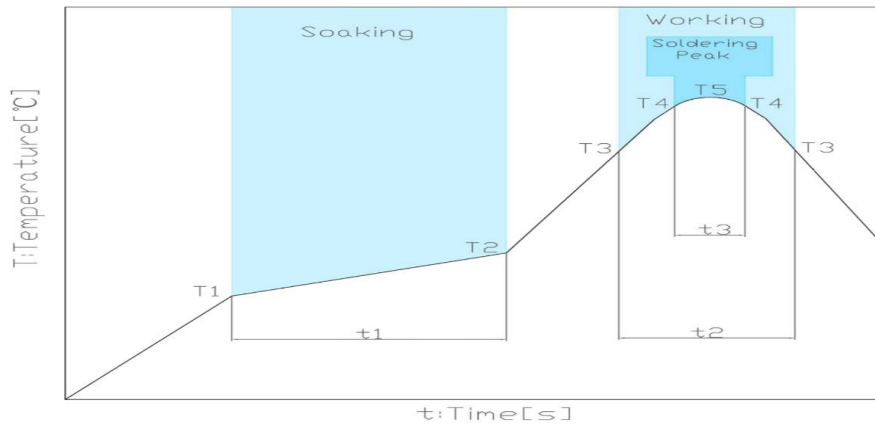
RF component

Datasheet Rev.:           A            
 Date:           2024.08.06          

## RECOMMENDED LAND PATTERN



## RECOMMENDED REFLOW PROFILE



| Soaking |       |            | Working |           | Soldering Peak |            |            |
|---------|-------|------------|---------|-----------|----------------|------------|------------|
| Temp.   | T2    | Time       | Temp.   | Time      | Temp.          | Time       | Temp.      |
| T1      | T2    | t1         | T3      | t2        | T4             | t3         | T5         |
| 150°C   | 180°C | 60 to 120s | 230°C   | 30 to 60s | 250°C          | within 10s | 260°C max. |

# 5mm SMD ISOLATOR

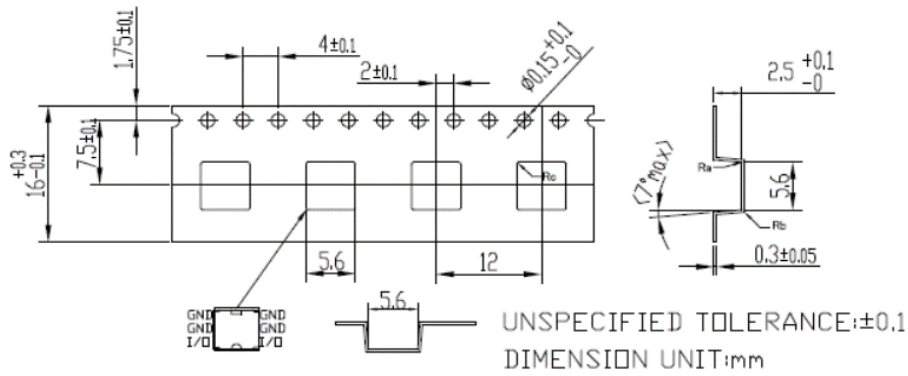
RF component

Datasheet Rev.:           A            
 Date:           2024.08.06          

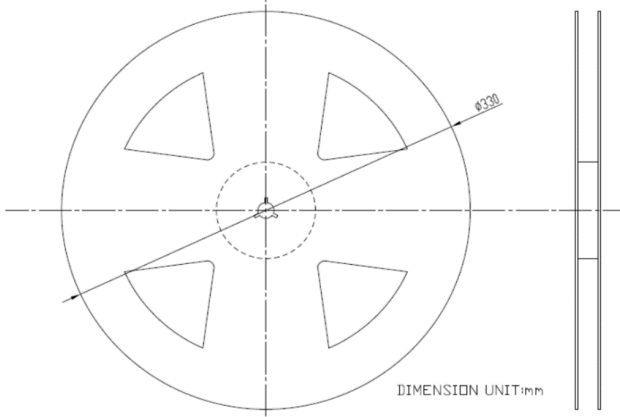
### PACKING STYLE

#### REEL DIMENSIONS

Reel side  $\longrightarrow$  Pulling side



#### TAPE DIMENSIONS



#### PACKAGE QUANTITY

# 5mm SMD ISOLATOR

RF component

Datasheet Rev.:           A            
 Date:           2024.08.06          

## Revision Records

| Rev. | Date       | PIC   | Change item   | Reasons for change |
|------|------------|-------|---------------|--------------------|
| A    | 2024.08.06 | ZC.Wu | First release |                    |
| B    |            |       |               |                    |
| B1   |            |       |               |                    |
| C    |            |       |               |                    |
| D    |            |       |               |                    |
| E    |            |       |               |                    |
| F    |            |       |               |                    |
| G    |            |       |               |                    |
| H    |            |       |               |                    |

