

# 5mm SMD ISOLATOR

RF component

Datasheet Rev.:           B            
Date:           2024/7/12          

**Customer:**

**Product Name:**

DP-IL0525A1473

DP-IL0525B1473

**Customer P/N:**



GuangdongDapuTelecomTechnologyCo.,Ltd Building5, No.24, Gongye East Road,  
<http://www.dptel.com> SSL Sci & Tech Industry Park,  
Dongguan, Guangdong, China  
TEL: 0086-0769-88010888  
FAX: 0086-0769-81800098

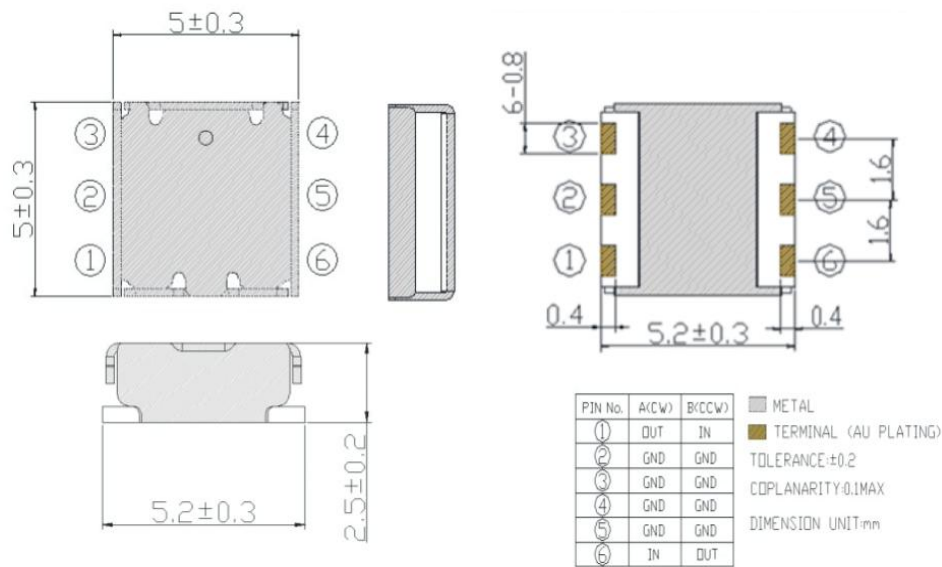
Approved	Checked	Designer
Nick	Wison	ZC.Wu

# 5mm SMD ISOLATOR

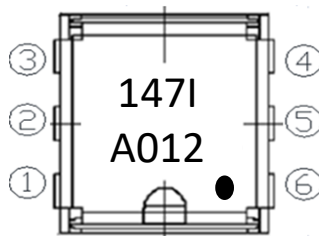
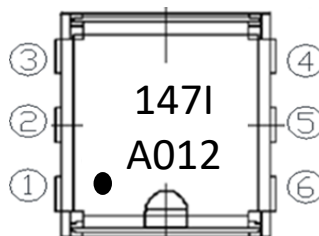
RF component

Datasheet Rev.:           B            
 Date:           2024/7/12          

## MECHANICAL SPECIFICATION



## MARKING

Clockwise DP-IL0525A1473	CounterClockwise DP-IL0525B1473	①/⑥ : Out/In Port ②~⑤: Ground
		I: Isolator A: Year 01: Week of Year 2: Day of Week ●: Input Port

Year Code	
Year	Code
2019	A
2020	B
2021	C
2022	D
2023	E
2024	F
...	...

Week Code	
Week	Code
1	01
2	02
3	03
4	04
5	05
6	06
...	...

Day Code	
Day	Code
Monday	1
Tuesday	2
Wednesday	3
Thursday	4
Friday	5
Saturday	6
Sunday	7

# 5mm SMD ISOLATOR

RF component

Datasheet Rev.:           B            
 Date:           2024/7/12          

## TEMPERATURE RANGE

Operating temperature range: -40~+85°C  
 Storage temperature range: -55~+125°C

## ELECTRICAL CHARACTERISTICS

Parameter	Unit	Frequency (MHz)		DP Spec		
				Min.	Typ.	Max.
Frequency range	MHz	1429	1518	1429		1518
Insertion Loss	dB	-	-			0.90
Isolation	dB	-	-	12		
Return Loss	dB	-	-	13		
Power Handling (Average)	W					5
Power Handling (Peak)	W					10
Reflection power	W					2
Characteristic Impedance (ohm)	Ω				50	
Case Style	-				SMD	

## NOTES

1. Recommend to keep 30mm above when mounted with other magnetic products.
2. RoHS compliance.
3. Isolator's characteristics are guaranteed at conditions listed at above table and it's operating temperature range.



# 5mm SMD ISOLATOR

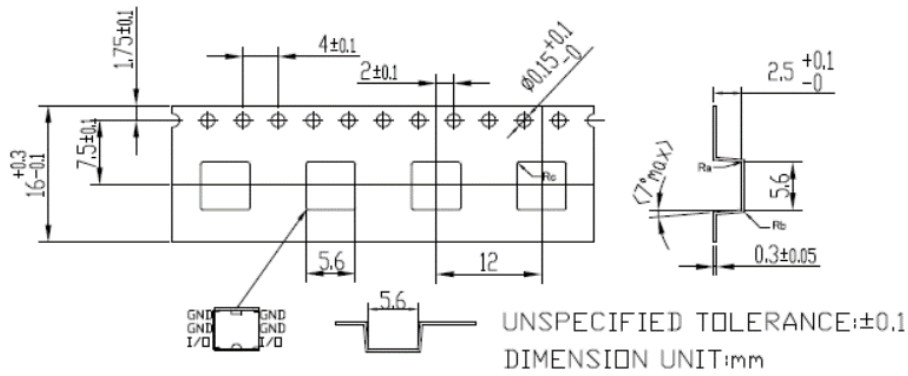
RF component

Datasheet Rev.:           B            
 Date:           2024/7/12          

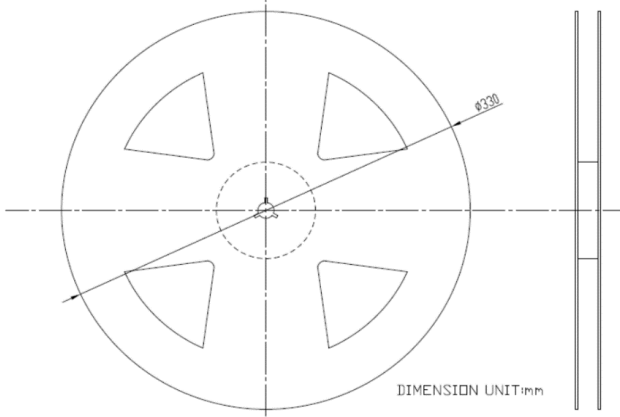
### PACKING STYLE

#### REEL DIMENSIONS

Reel side  $\longrightarrow$  Pulling side



#### TAPE DIMENSIONS



#### PACKAGE QUANTITY

1000 PCS/REEL

# 5mm SMD ISOLATOR

RF component

Datasheet Rev.:           B            
 Date:           2024/7/12          

Revision Records

Rev.	Date	PIC	Change item	Reasons for change
A	2024.6.17	ZC.Wu	New Release	
B	2024.7.12	ZC.Wu	Updated the label and changed the height from 2.5Max. To 2.5±0.2	
C				
D				
E				
F				
G				
H				