

5mm SMD CIRCULATOR

 RF component

Datasheet Rev.: A
Date: 2024.07.05

Customer:

Product Name:

DP-CL0520A2250
DP-CL0520B2250

Customer P/N:



GuangdongDapuTelecomTechnologyCo.,Ltd Building5, No.24, Gongye East Road,
<http://www.dptel.com> SSL Sci & Tech Industry Park,
Dongguan, Guangdong, China
TEL:0086-0769-88010888
FAX:0086-0769-81800098

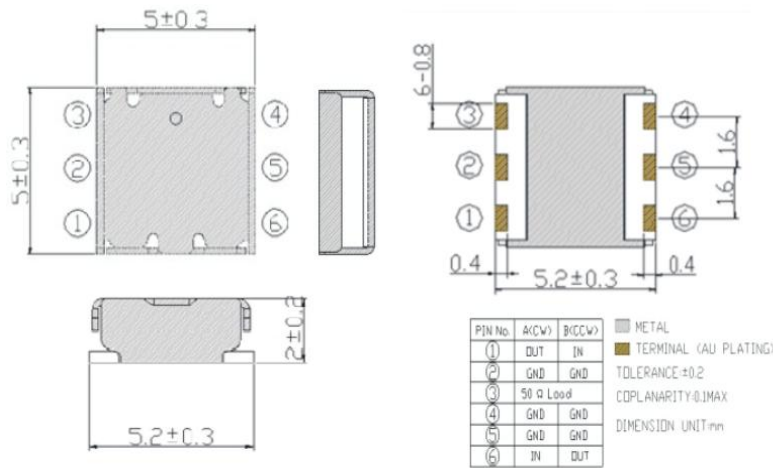
| Approved | Checked | Designer |
|----------|---------|----------|
| Nick | Wison | ZC.Wu |

5mm SMD CIRCULATOR

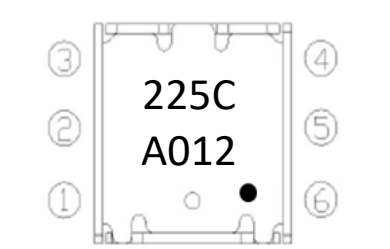
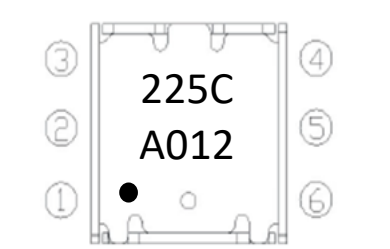
RF component

 Datasheet Rev.: A
 Date: 2024.07.05

MECHANICAL SPECIFICATION



MARKING

| Clockwise | CounterClockwise | ①/⑥: Out/In Port ③: 50 Ω Load ②④⑤: Ground C Circulator A: Year 01: Week of Year 2: Day of Week ●: Input Port |
|---|--|---|
| DP-CL0520A2250 | DP-CL0520B2250 | |
|  |  | |

| Year Code | |
|-----------|------|
| Year | Code |
| 2019 | A |
| 2020 | B |
| 2021 | C |
| 2022 | D |
| 2023 | E |
| 2024 | F |
| ... | ... |

| Week Code | |
|-----------|------|
| Week | Code |
| 1 | 01 |
| 2 | 02 |
| 3 | 03 |
| 4 | 04 |
| 5 | 05 |
| 6 | 06 |
| ... | ... |

| Day Code | |
|-----------|------|
| Day | Code |
| Monday | 1 |
| Tuesday | 2 |
| Wednesday | 3 |
| Thursday | 4 |
| Friday | 5 |
| Saturday | 6 |
| Sunday | 7 |

5mm SMD CIRCULATOR

RF component

Datasheet Rev.: A
 Date: 2024.07.05

TEMPERATURE RANGE

Operating temperature range: -40~+85°C

Storage temperature range: -40~+125°C

ELECTRICAL CHARACTERISTICS

| Parameter | Unit | Frequency (MHz) | | DP Spec | | | |
|--------------------------------|------|-----------------|--|---------|------|------|------|
| | | | | Min. | Typ. | Max. | |
| Frequency range | MHz | 2200 | | 2300 | 2200 | | 2300 |
| Insertion Loss | dB | - | | - | | | 0.65 |
| Isolation | dB | - | | - | 15 | | |
| Return Loss | dB | - | | - | 15 | | |
| Power Handling (Average) | W | | | | | | 5 |
| Power Handling (Peak) | W | | | | | | 10 |
| Reflection power | W | | | | | | 2 |
| Characteristic Impedance (ohm) | Ω | | | | | 50 | |
| Case Style | - | | | | | SMD | |

NOTES

1. Recommend to keep 30mm above when mounted with other magnetic products.
2. RoHS compliance.
3. Circulator's characteristics are guaranteed at conditions listed at above table and it's operating temperature range.

5mm SMD CIRCULATOR

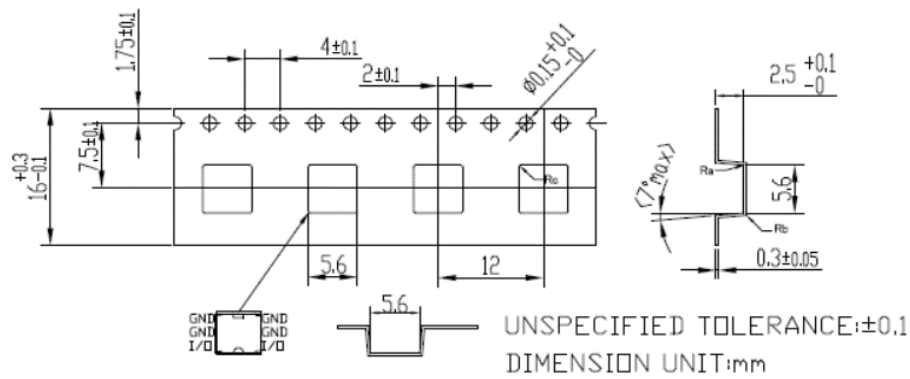
RF component

Datasheet Rev.: A
 Date: 2024.07.05

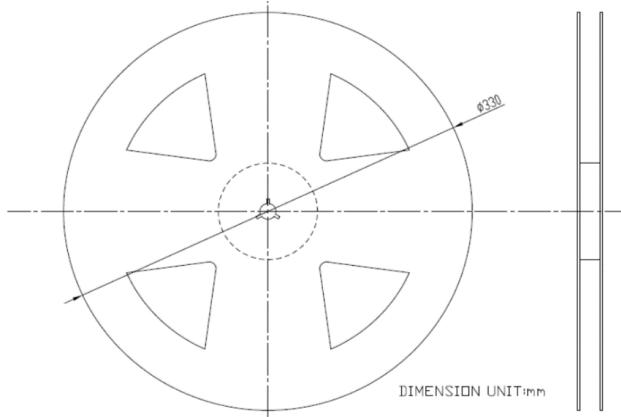
PACKING STYLE

REEL DIMENSIONS

Reel side \longrightarrow Pulling side



TAPE DIMENSIONS



PACKAGE QUANTITY

1000 PCS/REEL

5mm SMD CIRCULATOR

RF component

Datasheet Rev.: A
 Date: 2024.07.05

Revision Records

| Rev. | Date | PIC | Change item | Reasons for change |
|------|------------|-------|-------------|--------------------|
| A | 2024.07.05 | ZC.Wu | NEW RELEASE | |
| | | | | |
| C | | | | |
| D | | | | |
| E | | | | |
| F | | | | |
| G | | | | |
| H | | | | |