

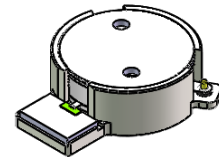


DP2040S

ENG PART:DP-21.4IM-1930T1995-CCW

1930MHz to 1995MHz Single-Junction Surface Mount Isolator

REV.	DESCRIPTION	REVISOR	DATE	APPROVED
A	SAME AS REV.A2	ZC.Wu	2024/7/9	Nick

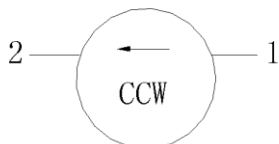


Applications:

- Wireless Infrastructure
- Power Amplifier

Features:

- Operating frequency range: 1930MHz to 1995MHz
- Operating temperature range: -40°C to +125°C
- Storage temperature range: -40°C to +125°C
- Small surface-mount package delivered on T&R
- BeOfree&RoHS compliant



Block Diagram



Electrical Specifications:

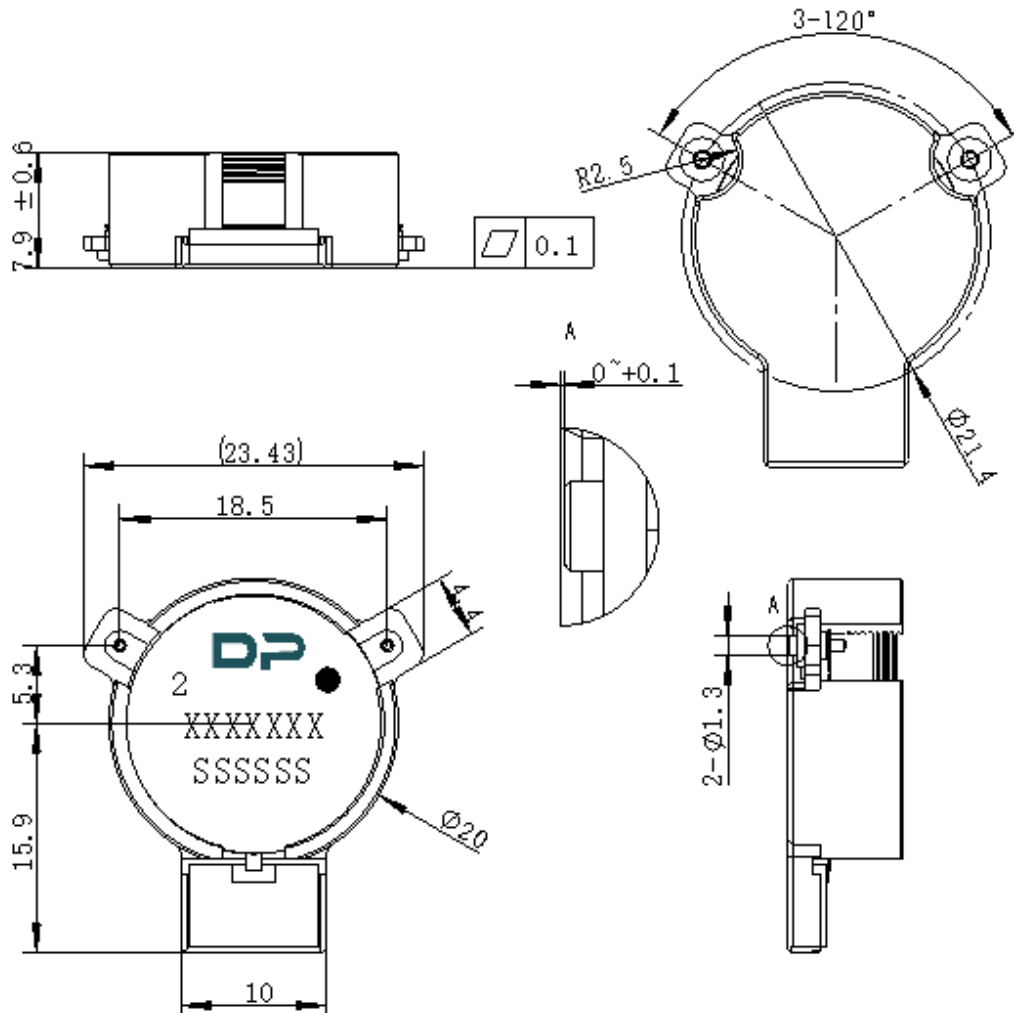
ITEM	SPECIFICATION	
Frequency	1930~1995	MHz
Direction	CCW	
Impedance	Typ: 50	Ω
Insertion Loss (Max.)	0.2@-40~+115 $^{\circ}$ C 0.22@+115~+125 $^{\circ}$ C	dB
Isolation (Min.)	22@1930~1995MHz 20@1910~2015MHz 10@1865~2060MHz 8@1800~2125MHz 6@1735~2190MHz	dB
Return Loss (Min.)	20@-40~0 $^{\circ}$ C 23@0~+125 $^{\circ}$ C 20@1910~2015MHz 6@1865~2060MHz 6@1800~2125MHz	dB
3rd IMD (Max.)	-69@2x50W CW tones	dBc
5th IMD (Max.)	-79@2x50W CW tones,	dBc
Harmonics	0@2x f 100W CW -10@3x f 100W CW -10@4x f 100W CW -35@5x f 100W CW -25@6x f 100W CW -25@7x f 100W CW	dBm
Out of band attenuation	10@2x f 5@3x f 5@nx f (n=order of in- band frequency multiple)	dB
Group delay	2.8	ns
Deviation from nominal delay	± 0.05	ns
Power FWD/REV/PEAK	150/80/1500	W
Max voltage rating	1080	V
No Resonance point	1800 MHz ~2125 MHz	
Termination/Attenuator	150/-	W/dB

Notes:

1. Exposure to maximum rating conditions for extended periods may reduce device reliability. There is no damage to device with only one parameter set at the limit and all other parameters set at or below their nominal value. Exceeding any of the limits listed here may result in permanent damage to the device.
2. Performance is guaranteed under the conditions listed in this table and over the operating temperature range.



Mechanical Specifications:



Unit: Millimeters

Notes:

1. The housing and pins are silver-plated.
2. Tolerance ± 0.2 mm unless otherwise specified.
3. Co-planarity Specification: 0.1 mm maximum.
4. Part Number, Lot Code, and Port Designation are printed on the top side of device.
5. The **XXXXXXX** on the label represents the part number
6. The **SSSSSS** on the label represents the serial number
7. The black dot on the label represents the input port



Packaging Style:

ITEM	W	A0	B0	K0	D	E	F	F2	P	P0	P2	T
DIM	44	Φ20.2	26.3	8.5	Φ1.5	1.75	20.2	40.5	32	4	2	0.5
TOL	±0.3	±0.2	±0.2	+0.2	+0.1	±0.1	±0.15	±0.1	±0.1	±0.1	±0.1	±0.05

