

Customer Code:

DATASHEET

DAPU P/N: CM22A-T325-16.384MHZ

Customer P/N: _____

DAPU			Customer Approval
Drew	Audited	Approved	
			Stamp, please! Thanks!
Date: 2024.05.31			



Table of Contents

1	GENERAL DESCRIPTION	4
2	PIN DEFINITION	5
3	ELECTRICAL PARAMETERS.....	5
4	PERFORMANCE.....	6
5	UART	7
6	CONTROL PINS.....	8
7	ENVIRONMENTAL CONDITIONS	9
8	TYPICAL APPLICATION	10
9	MECHANICAL STRUCTURE (MM)	11
10	WAVE SOLDERING CURVE (ROHS).....	12
11	PACKAGE (MM)	12



1 General Description

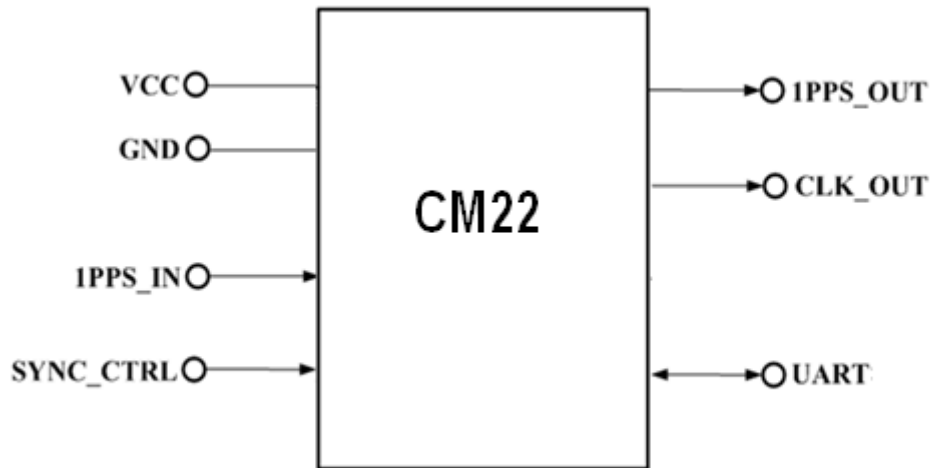


Figure 1 CM22

Figure 1 is the basic diagram of CM22. CM22 is a high-performance clock module designed to provide precise frequency and phase synchronizing with external time reference for telecom and other applications.

Key features:

- **Reference:** 1PPS and TOD from GNSS receiver, IEEE1588 etc.
- **Temperature Stability:** $\pm 0.5\text{ppb}(-10^{\circ}\text{C}-50^{\circ}\text{C})$
- **Holdover:** $\pm 1\text{ms}/15\text{day}$, after locking 168H
- **Clocks Input and Output:** 1*1PPS input, 1*1PPS output and 1*16.384MHz output
- **Serial Interface:** 1*UART for management and ToD In/Output
- **Mechanical Size:** 20.2mm*20.2mm*9.0mm



2 Pin Definition

Table 1 Pin Definition

Pin group	Pin#	Pin Name	Type	Description
Supply Voltage	2	VCC	PWR	Power Supply
	3	GND	GND	Ground
Control and Status Pins	1	SYNC_CTRL	I	Synchronization Procedure Control
UART	5	RXD	I	Asynchronous Serial Data Output/Input, 115200-N-8-1
	6	TXD	O	
Input Clock	4	1PPS_IN	I	1PPS Reference Input.
Output Clocks	7	1PPS_OUT	O	1PPS Output
	8	CLK_OUT	O	16.384MHz Output

3 Electrical Parameters

Table 2 Electrical Parameters

Parameter	Symbol	Minimum	Typical	Maximum	Units
HCMOS Input					
High Level Input Voltage	V_{IH}	2.0			V
Low Level Input Voltage	V_{IL}			0.8	V
HCMOS Output					
High Level Output Voltage	V_{OH}	2.4			V
Low Level Output Voltage	V_{OL}			0.4	V



4 Performance

Table 3 Performance

Item	Parameter	Minimum	Typical	Maximum	Units	Test Condition
Clock Output	Nominal Frequency	16.384			MHz	
	Rise / Fall Time			10	ns	Load 15pF
	Duty Cycle	45	50	55	%	Load 15pF
	Frequency vs. Temperature	-0.5		+0.5	$\times 10^{-9}$	$V_{CC}=3.3V$; $O_{load}=15pF$; T_A varies from $-10^{\circ}C$ to $50^{\circ}C$, temperature slope less than $2^{\circ}C$ per minute.
	Accuracy	-5		+5	$\times 10^{-12}$	24 hours average value when locked 168 hours to 1PPS .
	G-Sensitivity			0.8	$\times 10^{-9}/g$	
	Daily Aging	-0.8		+0.8	$\times 10^{-9}$	$V_{CC}=3.3V$; $T_A=25^{\circ}C$.
	Yearly Aging	-0.1		+0.1	$\times 10^{-6}$	Unlocking and after 30 days of operation.
	Phase Noise			-105	-100	dBc/Hz
			-137	-132	100Hz	
			-148	-143	1KHz	
			-152	-147	10KHz	
1 PPS Input	Waveform	HCMOS				
	Pulse Width	0.01	100	500	ms	
1 PPS Output	Waveform	HCMOS				
	Pulse Width	0.01	100	500	ms	
	15 days holdover	-1		+1	ms	$\Delta T=20^{\circ}C$, 15days holdover after locking 168 hours; temperature slope less than $1^{\circ}C$ per minute.



Supply Voltage	Supply Voltage	3.13	3.3	3.47	V	
	Warm Up Current			149	mA	
	Steady Current			55	mA	@25°C +/-5°C, no wind.
	AC Ripple			50	mV pk-pk	10Hz to 1MHz

5 UART

UART interfaces are used for management and TOD, which has a fixed baud rate (115200) using 1 stop bit and no parity. It is a LVTTTL-compatible port and needs an external translator to work with other signal types (such as RS-232C or RS-485).

a) TOD input sentence format

\$GPZDA, <1>,<2>,<3>,<4>,<5>,<6>*HH<CR><LF>

Parameter Number	Parameter Name	Format	Description
<1>	UTC time	hhmmss.ss	Hour, minute, second, 9 characters
<2>	day	dd	Range: 01~31, 2 characters
<3>	month	mm	Range: 01~12, 2 characters
<4>	year	yyyy	4 characters
<5>	NA	00	Filled with 00
<6>	NA	00	Filled with 00

Note: *The following is the checksum,
 <CR><LF>: Carriage Return and Line Feed.
 Example: \$GPZDA,010516.00,26,11,2008,00,00*6B

b) TOD output sentence format

\$DPZDA, <1>,<2>,<3>,<4>,<5>,<6>,<7>,<8>,<9>,<10>,<11>,<12>,<13>,<14>*HH<CR><LF>

Parameter Number	Parameter Name	Format	Description
<1>	UTC time	hhmmss	Hour,minute,second, 6 characters
<2>	Day	dd	Range: 01~31, 2 characters
<3>	Month	mm	Range: 01~12, 2 characters



<4>	Year	yyyy	4 characters
<5>	System state	xx	00-Freerun, 01-fast track, 10-lock, 11-holdover
<6>	Lock indicator	x	0-unlock, 1-locked
<7>	reserve	0	--
<8>	Input identifier	x	1-1PPS Input, 0-no1PPS Input.
<9>	GPZDA input identifier	x	1 means GPZDA Input, 0 means no GPZDA Input.
<10>	reserve	0	--
<11>	T1	xxxxxx	Test parameter1: range +8192~8192, 5 parameters
<12>	T2	xxxxxxxxxx	Test parameter2: range 65535.0000~00000.0000, 10 parameters
<13>	T3	xxxxxxxxxx	Test parameter3: 10 parameters
<14>	reserve	xxxxxxx	7 characters
<p>Note: *The following is the checksum, <CR><LF>: Carriage Return and Line Feed. Example: \$DPZDA,010517,26,11,2008,10,1,315,1,1,0,-0000,31945.0000,-0000.1146,0000000*78</p>			

6 Control Pins

CM22 is a clock module which synchronizes the local clock to reference such as 1 PPS retrieving from GPS. CM22 will work normally performing synchronizing algorithm when the SYNC_CTRL pin is driven high. It also could be forced to work in free-run or holdover status when the SYNC_CTRL pin is driven low.



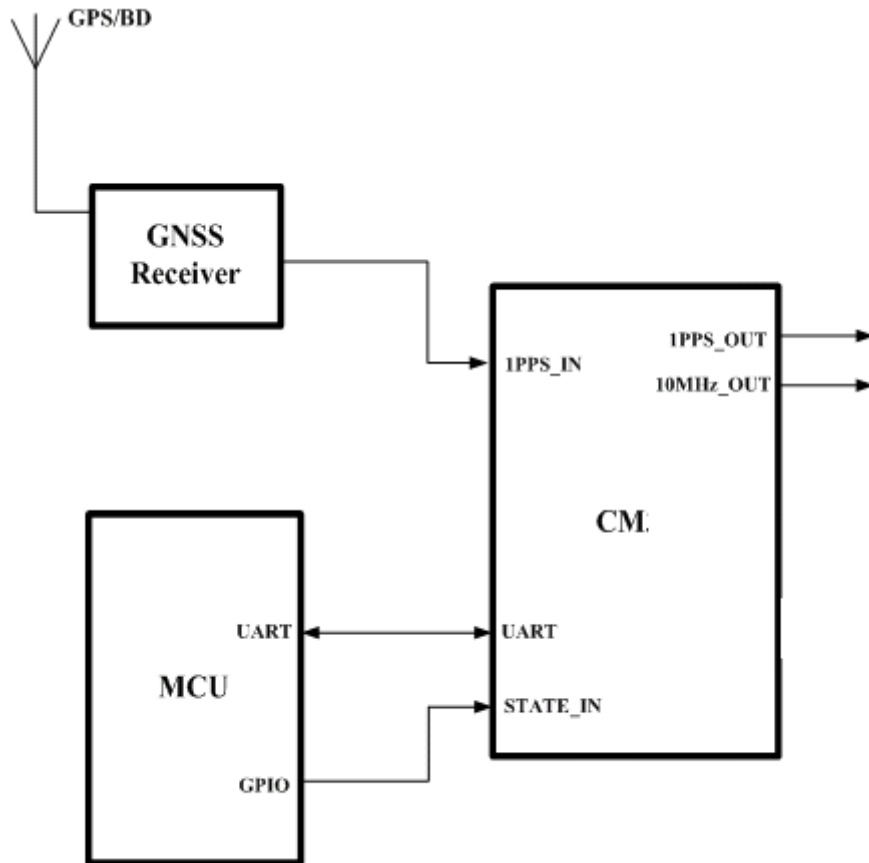
7 Environmental Conditions

Table 5 Environmental Conditions

Parameter	Conditions	
Operating Temperature	-10°C to 50°C	
Storage Temperature	-55°C to 105°C	
Storage Humidity	30%~80%	
ESD Level	Human Body Model, class2: 2000V to 4000V; ANSI/ESDA/JEDEC JS-001-2010.	
	Machine Model, class B: 200V to 400V; JEDEC JESD22-A115C.	
Moisture Sensitivity Level	Not humidity sensitive.	
Vibration	Test conditions: 0.75mm; Acceleration: 10g; 10Hz~500Hz, 30 minutes per cycle, tested for two hours; X. Three times in each of the Y and Z directions, IEC 68-2-06 Test Fc.	
Shock	50g; 11ms; 3 times for each 3 directions X, Y, Z. Waveform, IEC 68-2-27 Test Ea/Severity 50A.	
Relative Humidity	20%~70%	Full Package Storage
Temperature	-10°C~35°C	



8 Typical Application

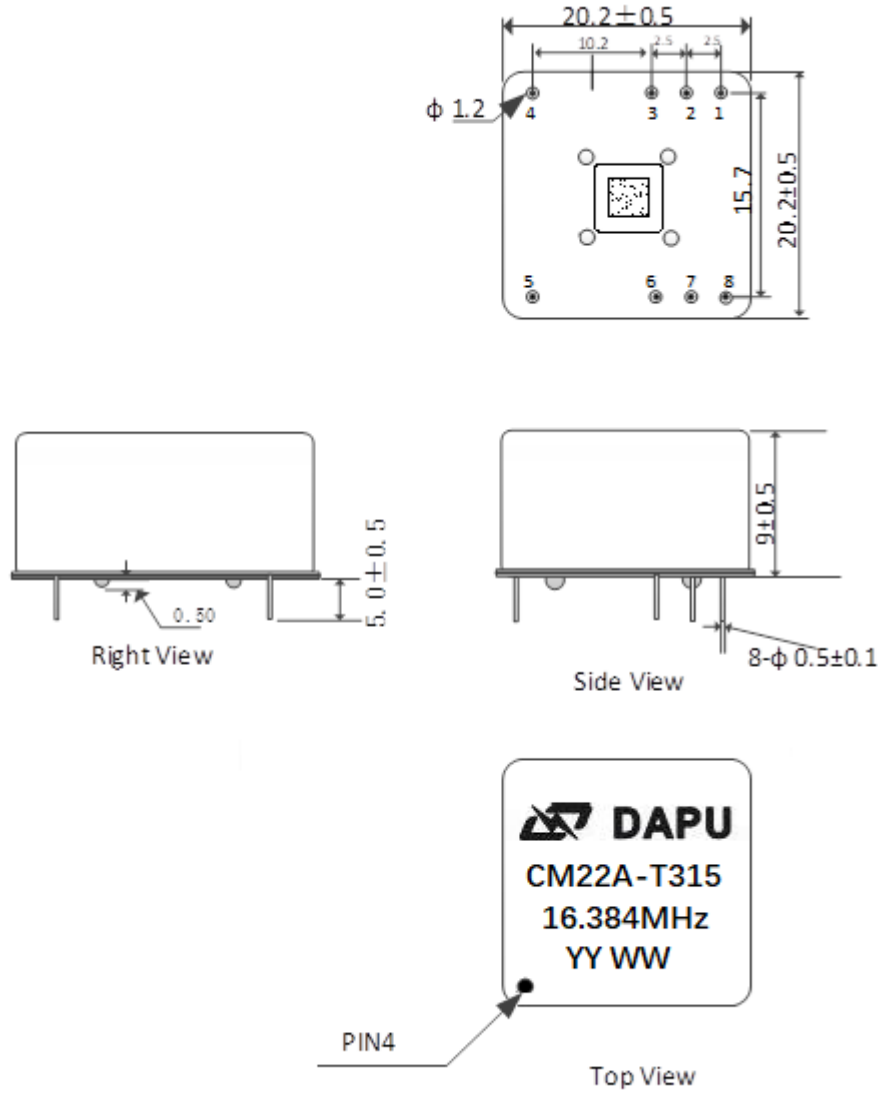


GNSS Receiver offers 1PPS signal to CM22.

The MCU monitors the work state of CM22.



9 Mechanical Structure (mm)



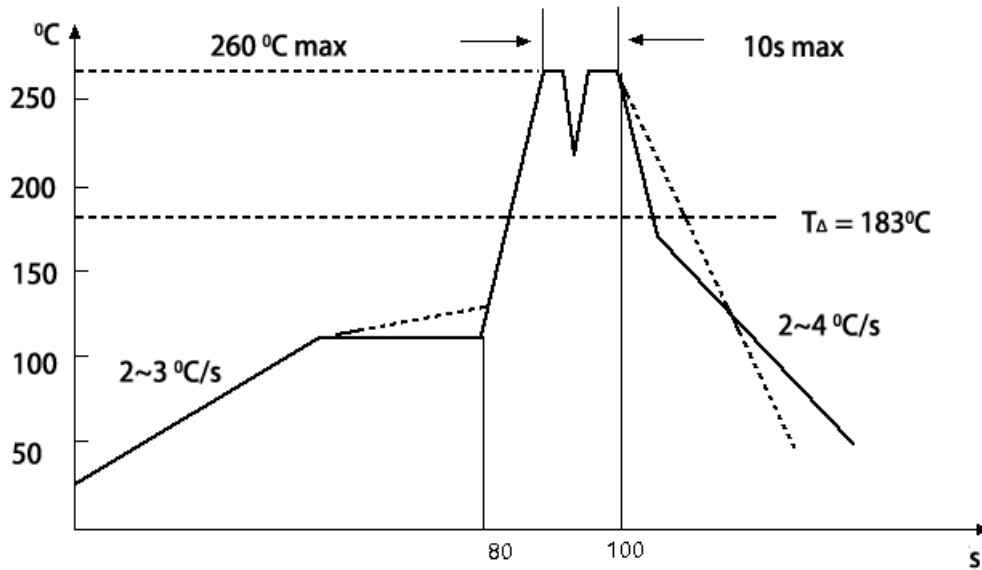
Note1: Tolerance ± 0.3 mm without mark.

Note2: YY represents Year.

WW represents Week.



10 Wave Soldering Curve (RoHS)



11 Package (mm)

