

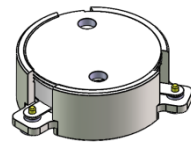


DP3206C

ENG PART:DP-20.4CM-1930T2200-CCW

1930MHz to 2200MHz Single-Junction Surface Mount Circulator

REV.	DESCRIPTION	REVISOR	DATE	APPROVED
A	Creating datasheet	ZZ.Zhu	2024/5/22	Nick

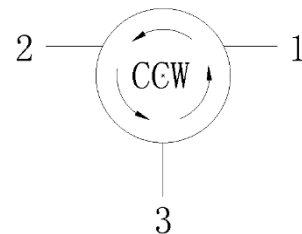


Applications:

- Wireless Infrastructure
- Power Amplifier

Features:

- Operating frequency range: 1930MHz to 2200MHz
- Operating temperature range: -40°C to +125°C
- Storage temperature range: -50°C to +125°C
- Small surface-mount package delivered on T&R
- BeOfree & RoHS compliant



Block Diagram

**Electrical Specifications:**

ITEM	SPECIFICATION	
Frequency	1930~2200	MHz
Direction	CCW	
Impedance	Typ: 50	Ω
Insertion Loss (Max.) @-40~+115°C	0.30@1930~2200MHz 0.20@1930~1995MHz & 2110~2200MHz	dB
Insertion Loss (Max.) @+115~+125°C	0.23@1930~1995MHz & 2110~2200MHz	dB
Isolation (Min.)	20@1930~2200MHz 23@1930~1995MHz & 2110~2200MHz	dB
Return Loss (Min.)	20@1930~2200MHz (0~+125°C) 17@1930~2200MHz (-40~0°C) 23@1930~1995MHz & 2110~2200MHz (0~+125°C) 20@1930~1995MHz & 2110~2200MHz (-40~0°C)	dB
3rd IMD (Max.)	-69@2x65W CW tones 1930~1995MHz & 2110~2200MHz	dBc
5th IMD (Max.)	-79@2x65W CW tones 1930~1995MHz & 2110~2200MHz	dBc
Harmonics	0@2x f 130W CW -10@3x f 130W CW -10@4x f 130W CW -35@5x f 130W CW -25@6x f 130W CW -25@7x f 130W CW	dBm
Out of band attenuation	10@2x f 10@3x f@1930~1995MHz 5@3x f@2110~2200MHz 5@nx f (n=order of in- band frequency multiple)	dB
Group delay	2.8	ns
Deviation from nominal delay	± 0.05	ns
Power FWD/REV/PEAK	150/80/1500	W
Max voltage rating	1080	V
Impedance control (the reference point at Isolator Pad) , real	50 ± 4.5	Ω
Impedance control (the reference point at Isolator Pad) , imaginary	± 5.5	j Ω
Termination/Attenuator	-/-	W/dB
No resonance during	1800~2380MHz	



GuangdongDapuTelecomTechnologyCo.,Ltd

<http://www.dptel.com>

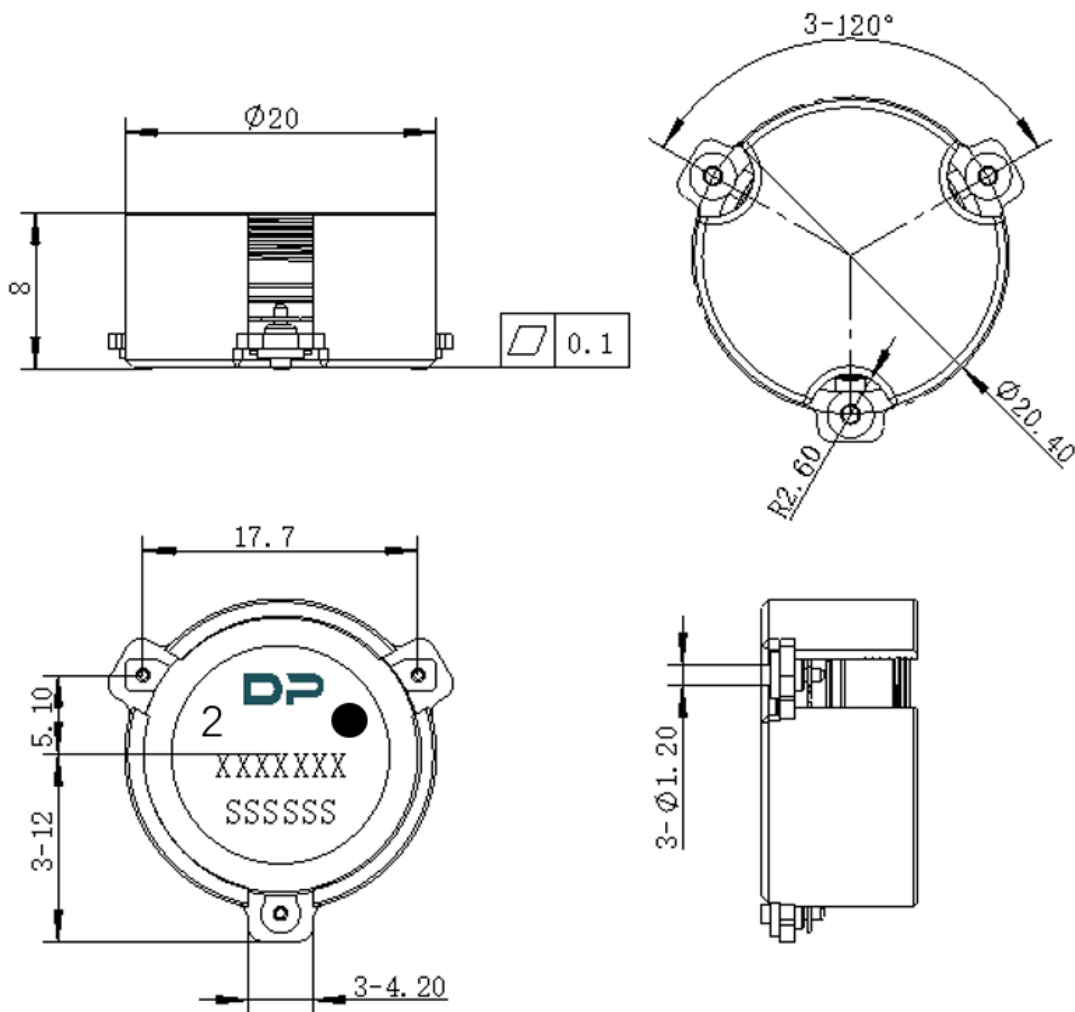
Bldg13-16,.N.Ind.Zone,SSLIndustry
Park,DongguanCity,Guangdong
Province,PRChina
TEL:0086-0769-88010888
FAX:0086-0769-81800098

Notes:

1. Exposure to maximum rating conditions for extended periods may reduce device reliability. There is no damage to device with only one parameter set at the limit and all other parameters set at or below their nominal value. Exceeding any of the limits listed here may result in permanent damage to the device.
2. Performance is guaranteed under the conditions listed in this table and over the operating temperature range.



Mechanical Specifications:



Unit: Millimeters

Notes:

1. The housing and pins are silver-plated.
2. Tolerance $\pm 0.2\text{mm}$ unless otherwise specified.
3. Co-planarity Specification: 0.1mm maximum.
4. Part Number, Lot Code, and Port Designation are printed on the top side of device.
5. The **XXXXXXX** on the label represents the part number
6. The **SSSSSS** on the label represents the serial number
7. The black dots represent the input port.