

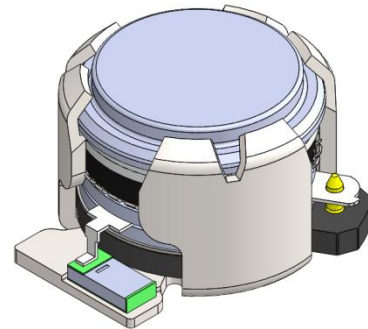


DP3147S

ENG PART: DP-10.2IM-2615T2695-CW

2615MHz to 2695MHz Single-Junction Surface Mount Isolator

REV.	DESCRIPTION	REVISOR	DATE	APPROVED
A	SAME AS REV.1	ZC.Wu	2024/5/14	Nick

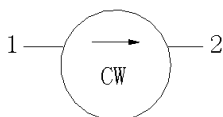


Applications:

- Wireless Infrastructure
- Power Amplifier

Features:

- Operating frequency range: 2615MHz to 2695MHz
- Operating temperature range: -40°C to +125°C
- Storage temperature range: -40°C to +125°C
- Small surface-mount package delivered on T&R
- BeOfree&RoHS compliant



Block Diagram

**Electrical Specifications:**

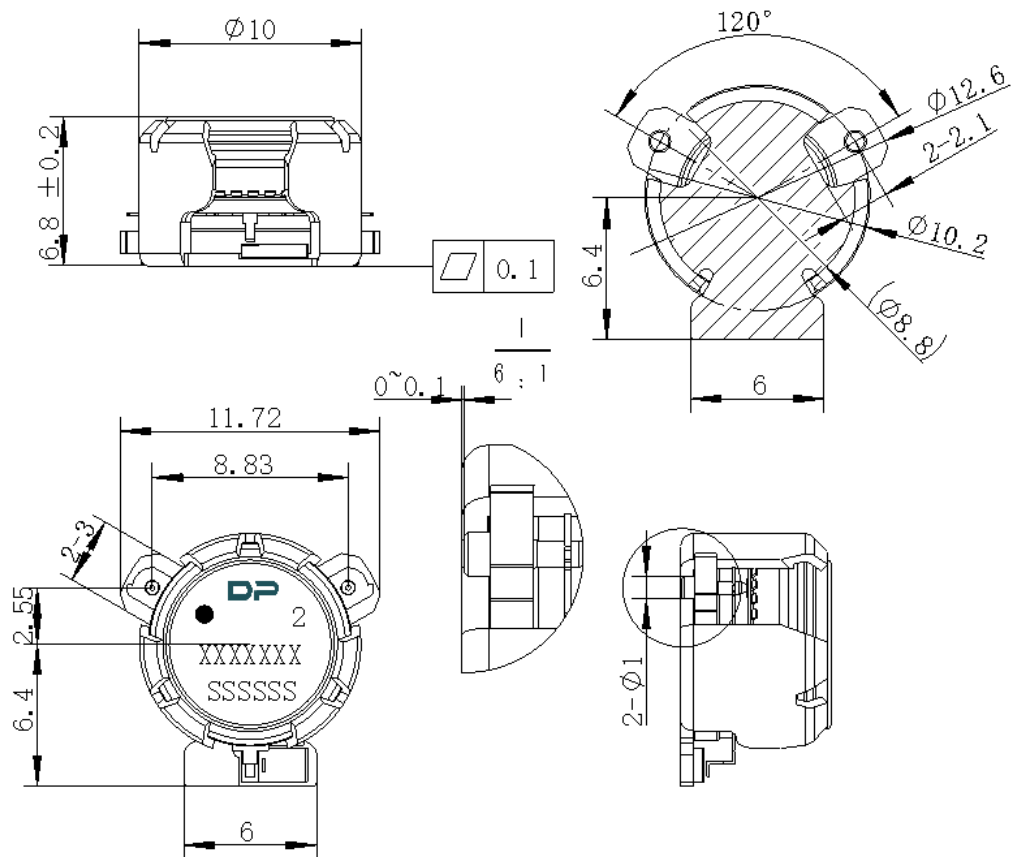
ITEM	SPECIFICATION	
Frequency	2615~2695	MHz
Direction	CW	
Impedance	Typ: 50	Ω
Insertion Loss (Max.)	0.20	dB
Isolation (Min.)	22	dB
Return Loss (Min.)	22	dB
3rd IMD (Max.)	-69@2x6W CW tones spacing 1MHz	dBc
5th IMD (Max.)	-79@2x6W CW tones spacing 1MHz	dBc
Harmonics	60@2x f 12W CW 60@3x f 12W CW	dBc
Out of band attenuation	20@2x f 10@3x f 5@nx f (n=order of in- band frequency multiple)	dB
Group delay	0.4~2	ns
Reciprocity	-0.05~+0.05 @Delta(S21 / S32) within any 10 °C temperature range	dB
	-1~+1 @Delta(S21 / S32) within any 10 °C temperature range	Deg
Deviation from nominal delay	± 0.05	ns
Power FWD/REV/PEAK	12/12/90	W
Max voltage rating	/	V
Impedance control (the reference point at Isolator Pad) , real	/	Ω
Impedance control (the reference point at Isolator Pad) , ,imaginary	/	j Ω
Termination/Attenuator	20/-	W/dB
No resonance during	/	

Notes:

1. Exposure to maximum rating conditions for extended periods may reduce device reliability. There is no damage to device with only one parameter set at the limit and all other parameters set at or below their nominal value. Exceeding any of the limits listed here may result in permanent damage to the device.
2. Performance is guaranteed under the conditions listed in this table and over the operating temperature range.
3. Performance will not degrade by > 10% (Insertion loss > 20%) with an operating temperature of up to 130 °C.



Mechanical Specifications:



Unit: Millimeters

Notes:

1. The housing and pins are silver-plated.
2. Tolerance ± 0.2 mm unless otherwise specified.
3. Co-planarity Specification: 0.1mm maximum.
4. Part Number, Lot Code, and Port Designation are printed on the top side of device.
5. Part Number format shall be XXXXXXX
6. Serial Number format shall be SSSSSS
7. The black dot on the label represents the input port



GuangdongDapuTelecomTechnologyCo.,Ltd

<http://www.dptel.com>

Bldg13-16,.N.Ind.Zone,SSLIndustry
Park,DongguanCity,Guangdong
Province,PRChina
TEL:0086-0769-88010888
FAX:0086-0769-81800098

PackagingStyle:

Width = 32 mm

Pitch = 24 mm