

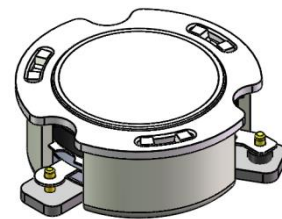


DP3052C

ENG PART:DP-20.4CM-1790T2025-CCW

1790MHz to 2025MHz Single-Junction Surface Mount Circulator

REV.	DESCRIPTION	REVISOR	DATE	APPROVED
A	Creating datasheet	ZC.Wu	2024/02/28	Nick

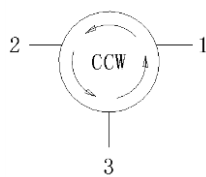


Applications:

- Wireless Infrastructure
- Power Amplifier

Features:

- Operating frequency range: 1790MHz to 2025MHz
- Operating temperature range: -40°C to +130°C
- Storage temperature range: -50°C to +150°C
- Small surface-mount package delivered on T&R
- BeOfree&RoHS compliant



Block Diagram



Electrical Specifications:

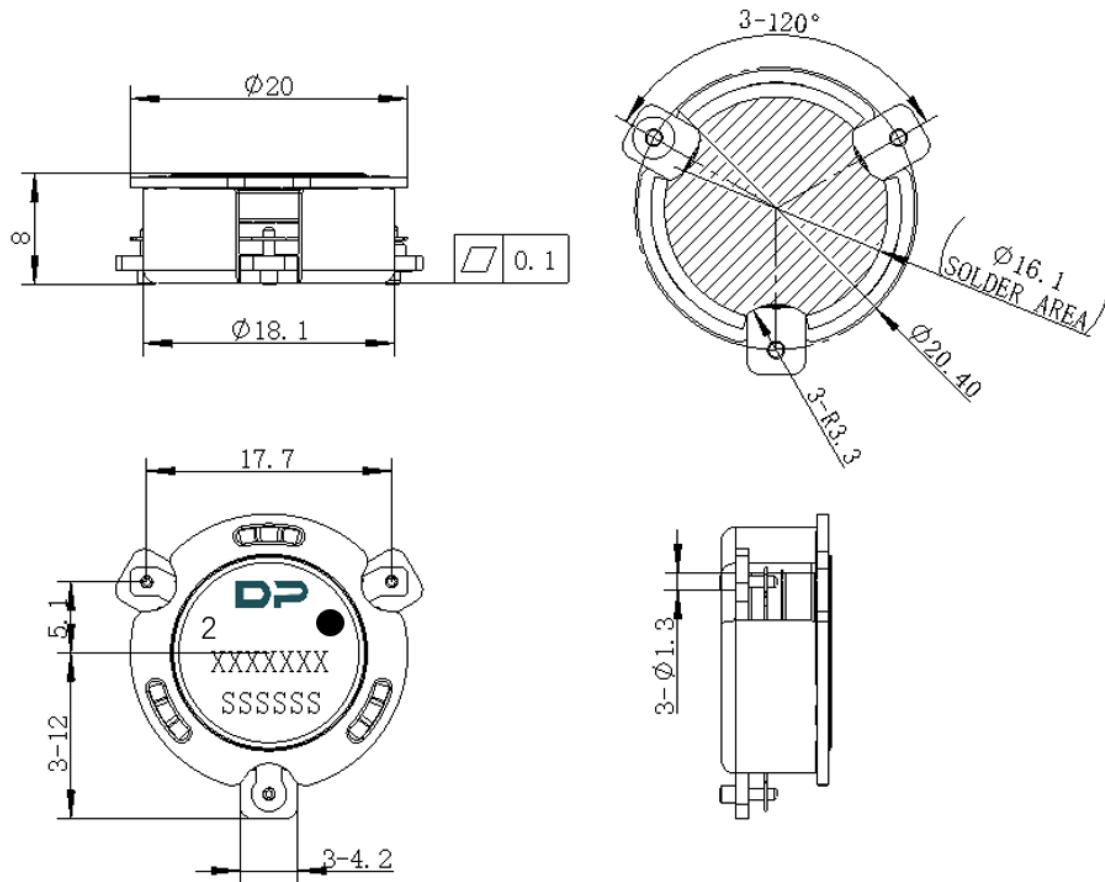
ITEM	SPECIFICATION	
Frequency	1790~2025	MHz
Direction	CCW	
Impedance	Typ: 50	Ω
Insertion Loss (Max.)	0.25@25 \pm 5 $^{\circ}$ C 0.30@-40~+130 $^{\circ}$ C	dB
Isolation (Min.) (P2-P1)	24@25 \pm 5 $^{\circ}$ C 20@-40~+130 $^{\circ}$ C	dB
Return Loss (Min.)(P1、P2、P3)	24@25 \pm 5 $^{\circ}$ C 20@-40~+130 $^{\circ}$ C	dB
3rd IMD (Max.)	-68@2x50W Tones, spacing 5MHz	dBc
Group delay	-	ns
Resonance Out Band	1490~2325MHz	-
2nd attenuation	10	dB
3rd attenuation	5	dB
Power FWD/REV/PEAK	200/200/1500	W
Impedance ,real	50 \pm 7	Ω
Impedance ,imaginary	\pm 7.5j	Ω
Termination/Attenuator	/	W/dB

Notes:

1. Exposure to maximum rating conditions for extended periods may reduce device reliability. There is no damage to device with only one parameter set at the limit and all other parameters set at or below their nominal value. Exceeding any of the limits listed here may result in permanent damage to the device.
2. Performance is guaranteed under the conditions listed in this table and over the operating temperature range.



3. Mechanical Specifications:



Unit: Millimeters

Notes:

1. The housing and pins are silver-plated.
2. Tolerance ± 0.2 mm unless otherwise specified.
3. Co-planarity Specification: 0.1mm maximum.
4. Part Number, Lot Code, and Port Designation are printed on the top side of device.
5. The XXXXXXXX on the label represents the part number
6. The SSSSSS on the label represents the serial number
7. The black dot on the label represents the input port