

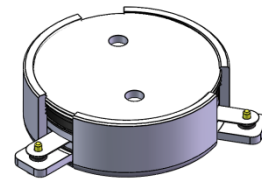


DP2546C

ENG PART:DP-28.4CM-1805T2200-CCW

1805MHz to 2200MHz Single-Junction Surface Mount Circulator

REV.	DESCRIPTION	REVISOR	DATE	APPROVED
A	Creating datasheet	ZZ.Zhu	2023/4/26	Nick
B	Updated Impedance	ZC.Wu	2024/1/30	Nick

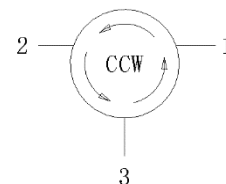


Applications:

- Wireless Infrastructure
- Power Amplifier

Features:

- Operating frequency range:1805MHz to 2200MHz
- Operating temperature range: -40°C to +120°C
- Storage temperature range: -50°C to +135°C
- BeOfree&RoHS compliant



Block Diagram



Electrical Specifications:

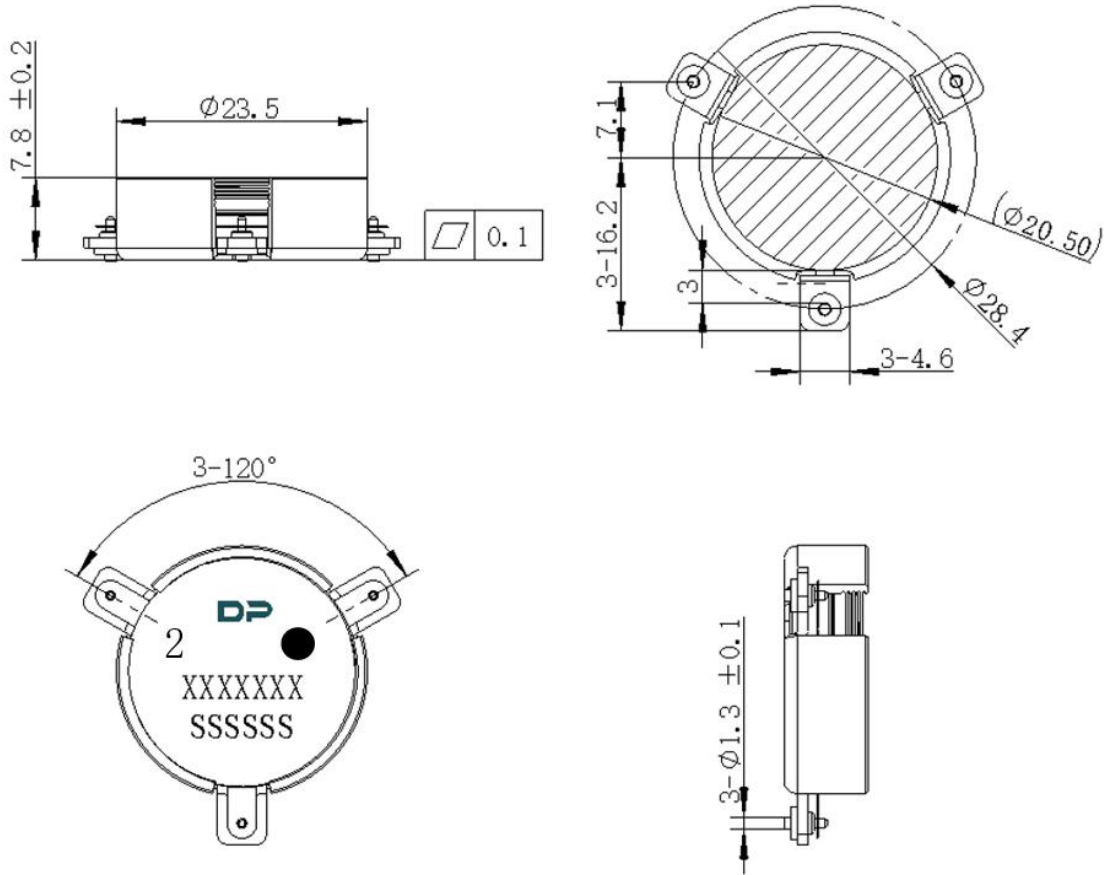
ITEM	SPECIFICATION	
Frequency	1805~2200	MHz
Direction	CCW	
Impedance (Typ.)	Port 1: 25 Port 2: 50 Port 3: 50	Ω
Insertion Loss (Max.)	0.25@25±5°C 0.30@-40~+120°C	dB
Isolation (Min.)	23@25±5°C 21@-40~+120°C	dB
Return Loss (Min.)	23@25±5°C 21@-40~+120°C	dB
Power FWD/REV/PEAK	150/-/1000	W
3rd IMD (Max.)	-60@2x50W , 5MHz spacing	dBc
Impedance ,real	Port 1: 25±7 Port 2: 50±7 Port 3: 50±7	Ω
Impedance ,imaginary	±8j	Ω
Termination/Attenuator	-	W/dB

Notes:

1. Exposure to maximum rating conditions for extended periods may reduce device reliability. There is no damage to device with only one parameter set at the limit and all other parameters set at or below their nominal value. Exceeding any of the limits listed here may result in permanent damage to the device.
2. Performance is guaranteed under the conditions listed in this table and over the operating temperature range.



Mechanical Specifications:



Unit: Millimeters

Notes:

1. The housing and pins are silver-plated.
2. Tolerance ± 0.2 mm unless otherwise specified.
3. Co-planarity Specification: 0.1mm maximum.
4. PartNumber, Lot Code, and Port Designation are printed on the top side of device.
5. The **XXXXXXX** on the label represents the part number
6. The **SSSSSS** on the label represents the serial number
7. The black dot on the label represents the input port