

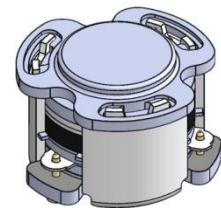


DP0458C

ENG PART:DP-7CM-3300T3600-CCW

3300MHz to 3600MHz Single-Junction Surface Mount Circulator

REV.	DESCRIPTION	REVISOR	DATE	APPROVED
A	Creating datasheet	ZC.Wu	2021/04/28	Nick
B	Update the label	ZZ.Zhu	2023/8/1	Nick
C	Update the outline drawing	ZC.Wu	2024/01/23	Nick

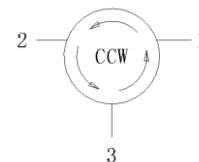


Applications:

- Wireless Infrastructure
- Power Amplifier

Features:

- Operating frequency range: 3300MHz to 3600MHz
- Operating temperature range: -40°C to +125°C
- Storage temperature range: -50°C to +135°C
- Small surface-mount package delivered on T&R
- BeOfree&RoHS compliant



Block Diagram



Electrical Specifications:

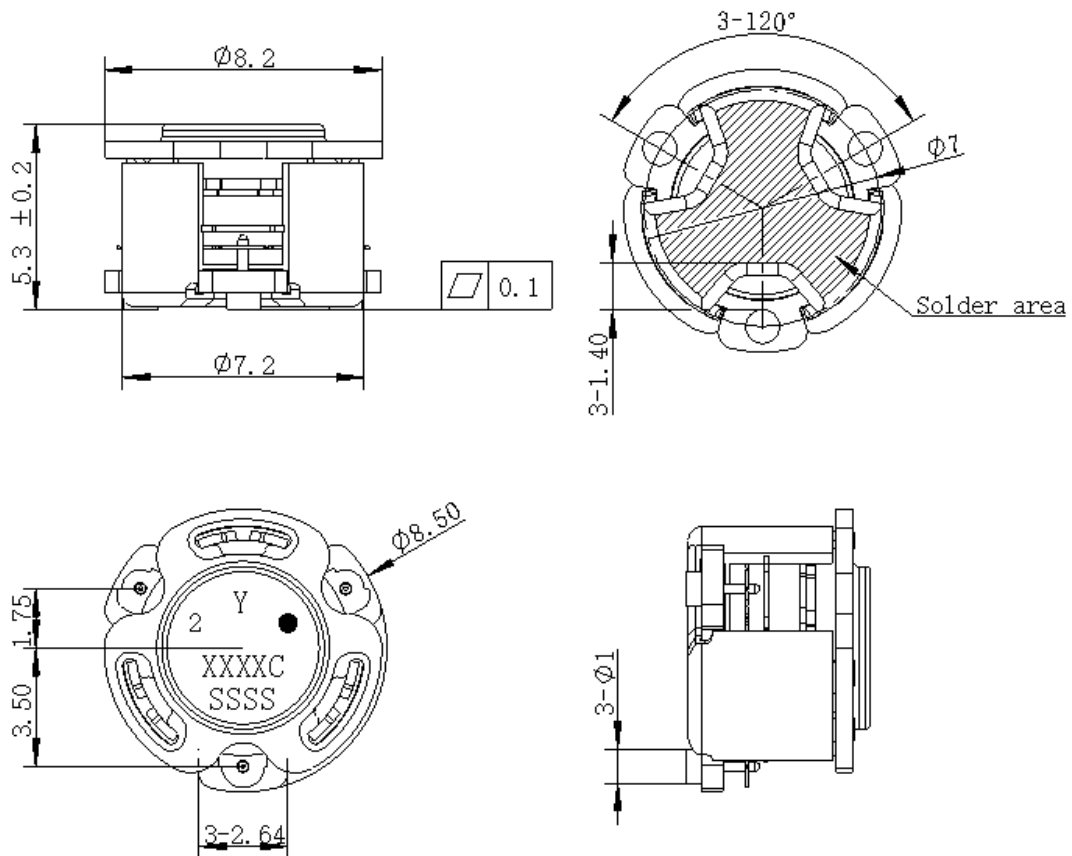
ITEM	SPECIFICATION	
Frequency	3300~3600	MHz
Extending Frequency	3260~3640	MHz
Direction	CCW	
Impedance	Typ: 50	Ω
Insertion Loss (Max.)	0.30@-40 to +105 $^{\circ}$ C 0.35@+105 to +125 $^{\circ}$ C	dB
Insertion Loss Ripple (Max.)	0.1	dB
Isolation (Min.)	22.0@-40 to +105 $^{\circ}$ C 20.0@+105 to +125 $^{\circ}$ C 18.0@ Extending Frequency	dB
Return Loss (Min.)	22.0@-40 to +105 $^{\circ}$ C 20.0@+105 to +125 $^{\circ}$ C 18.0@ Extending Frequency	dB
3rd IMD (Max.)	-62@2x5W CW tones, 5MHz spacing	dBc
Group delay	/	ns
2nd harmonic rejection (Min.)	15	dB
Harmonic Products Generation (Max.)	-56@5w single CW tone	dBc
Power FWD/REV/PEAK	30/30/150	W
Termination/Attenuator	/	W/dB
Phase flatness	1	$^{\circ}$

Notes:

1. Exposure to maximum rating conditions for extended periods may reduce device reliability. There is no damage to device with only one parameter set at the limit and all other parameters set at or below their nominal value. Exceeding any of the limits listed here may result in permanent damage to the device.
2. Performance is guaranteed under the conditions listed in this table and over the operating temperature range.



Mechanical Specifications:



Unit: Millimeters

Notes:

1. The housing and pins are silver-plated.
2. Tolerance ± 0.2 mm unless otherwise specified.
3. Co-planarity Specification: 0.1mm maximum.
4. Part Number, Lot Code, and Port Designation are printed on the top side of device
5. The "Y" shown on the label represents the producing year, when printing the producing year, A stands for 2022, B for 2023, C for 2024, and soon (reference DP's file WDPT PD-003).
6. The **XXXXC** on the label represents the last five digits of the Part Number.
7. The SSSS on the label represents the serial number
8. The black dot on the label represents the input port



Packaging Style:

ITEM	W	A0	B0	C0	K0	D	E	F	F2	P	P0	P2	T
DIM	24	Φ7.4	9.2	2.7	6.0	Φ1.5	1.75	11.5	-	20	4	2	0.5
TOLE	±0.2	±0.2	±0.2	±0.2	±0.2	+0.1	±0.1	±0.15	±0.1	±0.1	±0.1	±0.1	±0.05

