

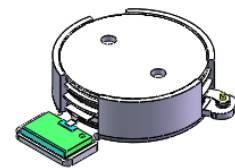


DP2949S

ENG PART: DP-27.28IM-1805T2200-CW

1805MHz to 2200MHz Single-Junction Surface Mount Isolator

| REV. | DESCRIPTION | REVISOR | DATE | APPROVED |
|------|---------------|---------|------------|----------|
| A | SAME AS REV.1 | ZZ.Zhu | 2023/12/12 | Nick |

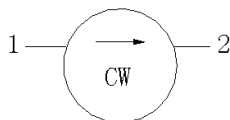


Applications:

- Wireless Infrastructure
- Power Amplifier

Features:

- Operating frequency range: 1805MHz to 2200MHz
- Operating temperature range: -40°C to +125°C
- Storage temperature range: -40°C to +135°C
- Small surface-mount package delivered on T&R
- BeOfree&RoHS compliant



Block Diagram



Electrical Specifications:

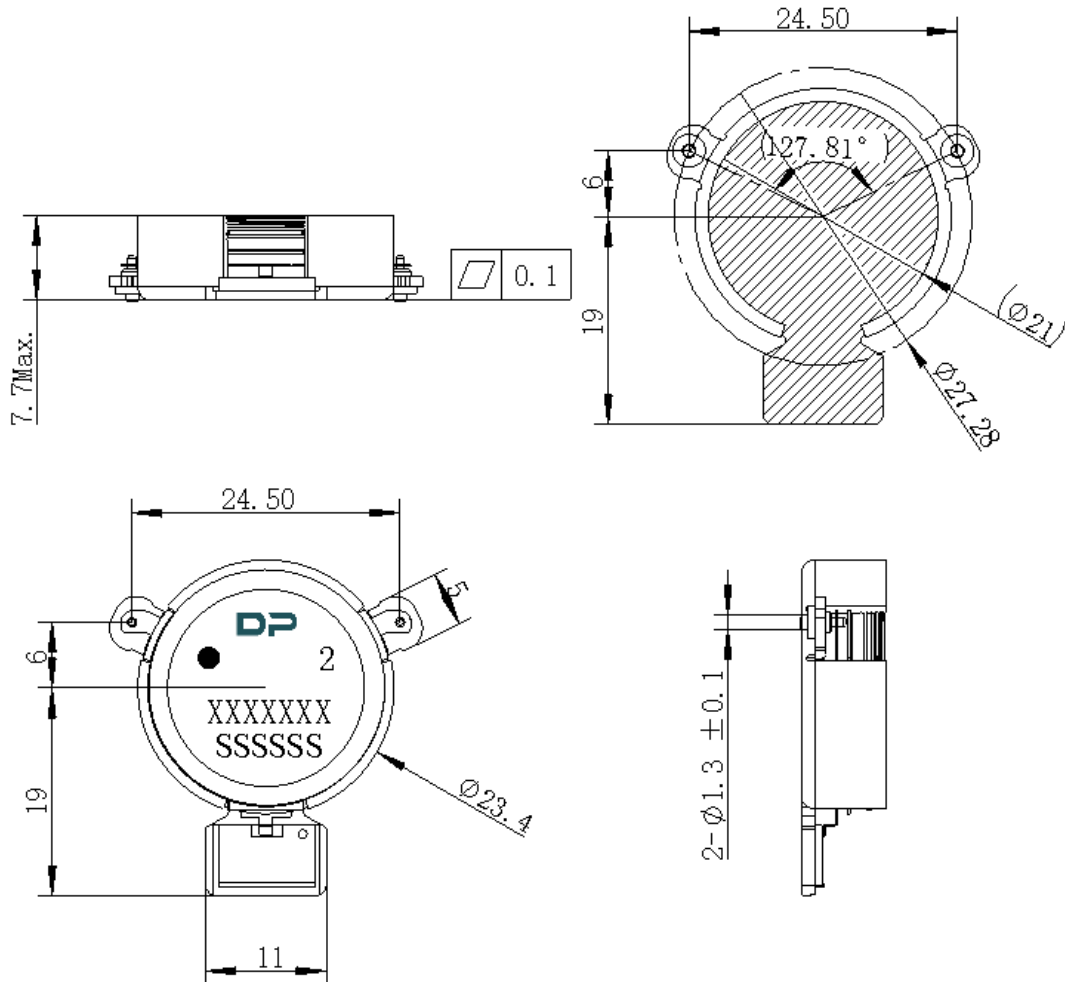
| ITEM | SPECIFICATION | |
|------------------------------|--|----------|
| Frequency | 1805-2200 | MHz |
| Direction | CW | |
| Impedance | Typ: 50 | Ω |
| Insertion Loss (Max.) | 0.25@25 \pm 5 $^{\circ}$ C 0.30@-40~+125 $^{\circ}$ C | dB |
| Isolation (Min.) | 22 | dB |
| Return Loss (Min.) | 22 | dB |
| 3rd IMD (Max.) | -69@2x50W CW tones Spacing 5MHz | dBc |
| 5th IMD (Max.) | - | dBc |
| Harmonics | - | dBm |
| Out of band attenuation | - | dB |
| Group delay | - | ns |
| Deviation from nominal delay | - | ns |
| Power FWD/REV/PEAK | 250/160/1500 | W |
| Max voltage rating | 1080 | V |
| Termination/Attenuator | 250/- | W/dB |

Notes:

1. Exposure to maximum rating conditions for extended periods may reduce device reliability. There is no damage to device with only one parameter set at the limit and all other parameters set at or below their nominal value. Exceeding any of the limits listed here may result in permanent damage to the device.
2. Performance is guaranteed under the conditions listed in this table and over the operating temperature range.
3. Performance will not degrade by > 10% (Insertion loss > 20%) with an operating temperature of up to 130 $^{\circ}$ C.



Mechanical Specifications:



Unit: Millimeters

Notes:

1. The housing and pins are silver-plated.
2. Tolerance ± 0.2 mm unless otherwise specified.
3. Co-planarity Specification: 0.1mm maximum.
4. Part Number, Lot Code, and Port Designation are printed on the top side of device.
5. Part Number format shall be XXXXXXX
6. Serial Number format shall be SSSSSS
7. The black dot on the label represents the input port



Packaging Style:

| ITEM | W | A0 | B0 | K0 | D | E | F | F2 | P | P0 | P2 | T |
|------|------|-------|------|------|------|------|-------|------|------|------|------|-------|
| DIM | 56 | Φ23.8 | 31.1 | 8.3 | Φ1.5 | 1.75 | 26.25 | 52.5 | 44 | 4 | 2 | 0.5 |
| TOLE | ±0.3 | ±0.2 | ±0.2 | +0.2 | +0.1 | ±0.1 | ±0.15 | ±0.1 | ±0.1 | ±0.1 | ±0.1 | ±0.05 |

