



DP2878C

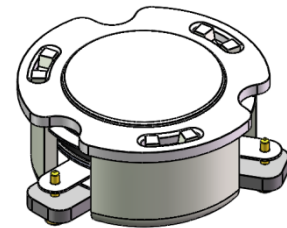
ENG PART:DP-15.5CM-1800T2175-CCW

1800MHz to 2175MHz Single-Junction Surface MountCirculator

REV.	DESCRIPTION	REVISOR	DATE	APPROVED
A	Creating datasheet	ZZ.Zhu	2023/11/8	Nick

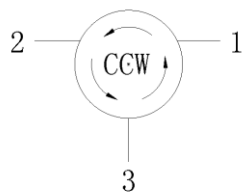
Applications:

- Wireless Infrastructure
- Power Amplifier



Features:

- Operating frequency range: 1800MHz to 2175MHz
- Operating temperature range: -40°C to +110°C
- Storage temperature range: -55°C to +135°C
- Small surface-mount package delivered on T&R
- BeOfree&RoHS compliant



Block Diagram



Electrical Specifications:

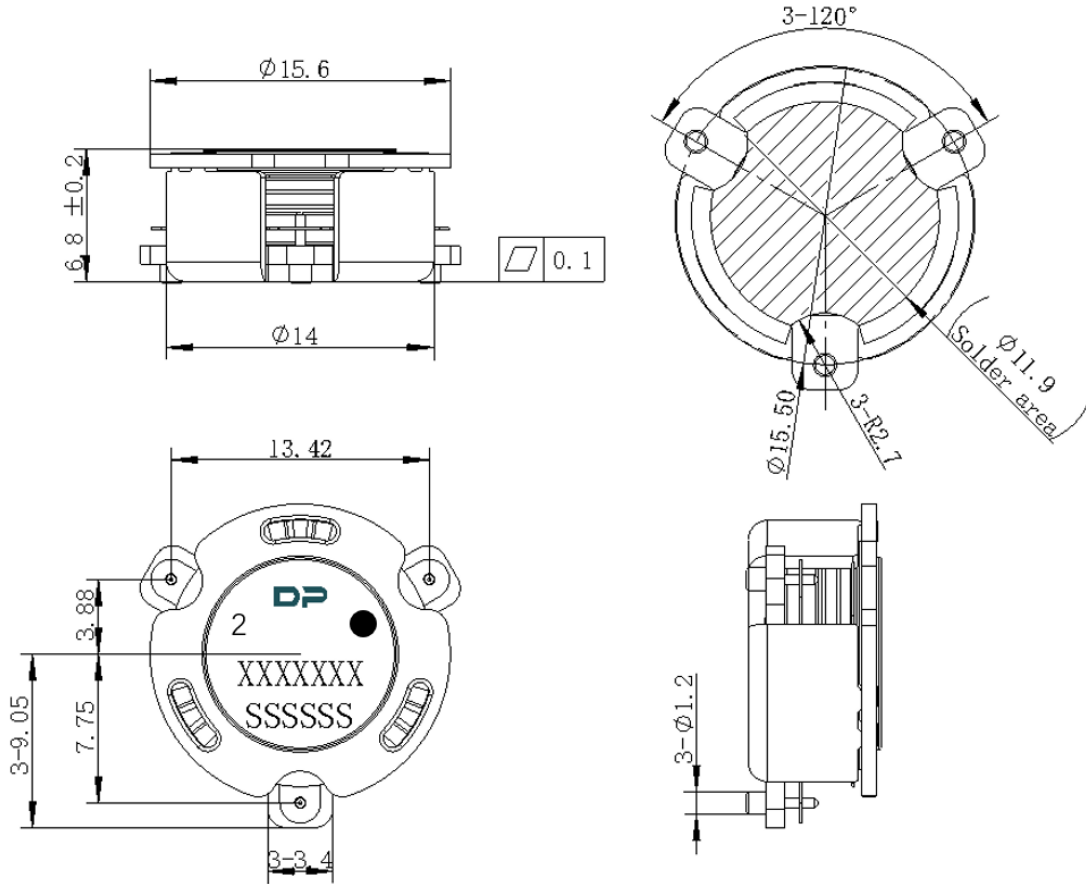
ITEM	SPECIFICATION	
Frequency	1800~2175	MHz
Direction	CCW	
Impedance	Typ: 50	Ω
Insertion Loss (Max.)	0.25@+25 \pm 5 $^{\circ}$ C(1800~1885 MHz &2105~2175MHz) 0.30@+40~+110 $^{\circ}$ C(1800~1885 MHz &2105~2175MHz)	dB
Isolation (Min.)	25@+25 \pm 5 $^{\circ}$ C(1800~1885 MHz &2105~2175MHz) 22@+40~+110 $^{\circ}$ C(1800~1885 MHz &2105~2175MHz)	dB
Return Loss (Min.)	25@+25 \pm 5 $^{\circ}$ C(1800~1885 MHz &2105~2175MHz) 22@+40~+110 $^{\circ}$ C(1800~1885 MHz &2105~2175MHz)	dB
3rd IMD (Max.)	-65@2x25W ,Spacing 5MHz	dBc
Power FWD/REV/PEAK	100/-/1000	W
Termination/Attenuator	/	W/dB

Notes:

1. Exposure to maximum rating conditions for extended periods may reduce device reliability. There is no damage to device with only one parameter set at the limit and all other parameters set at or below their nominal value. Exceeding any of the limits listed here may result in permanent damage to the device.
2. Performance is guaranteed under the conditions listed in this table and over the operating temperature range.



3. Mechanical Specifications:



Unit: Millimeters

Notes:

1. The housing and pins are silver-plated.
2. Tolerance ± 0.2 mm unless otherwise specified.
3. Co-planarity Specification: 0.1 mm maximum.
4. Part Number, Lot Code, and Port Designation are printed on the top side of device.
5. The **XXXXXXX** on the label represents the part number
6. The **SSSSSS** on the label represents the serial number
7. The black dot on the label represents the input port



Packaging Style:

ITEM	W	A0	B0	K0	D	E	F	F2	P	P0	P2	T
DIM	32	17.8	Φ15.6	7.2	Φ1.5	1.75	14.2	28.5	24	4	2	0.5
TOL	±0.3	±0.2	±0.2	±0.2	+0.1	±0.1	±0.15	±0.1	±0.1	±0.1	±0.1	±0.05

