

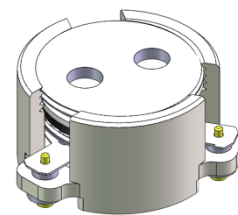


DP2823C

ENG PART:DP-12.5CM-5400T5900-CW

5400MHz to 5900MHz Single-Junction Surface Mount Circulator

| REV. | DESCRIPTION | REVISOR | DATE | APPROVED |
|------|---------------|---------|-----------|----------|
| A | SAME AS REV.2 | ZZ.Zhu | 2023/11/1 | Nick |

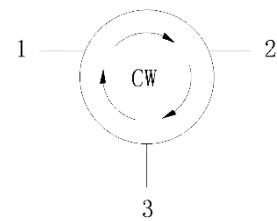


Applications:

- Wireless Infrastructure
- Power Amplifier

Features:

- Operating frequency range: 5400MHz to 5900MHz
- Operating temperature range: -40°C to +110°C
- Storage temperature range: -55°C to +150°C
- Small surface-mount package delivered on T&R
- BeOfree 、 RoHS & REACH compliant



Block Diagram



Electrical Specifications:

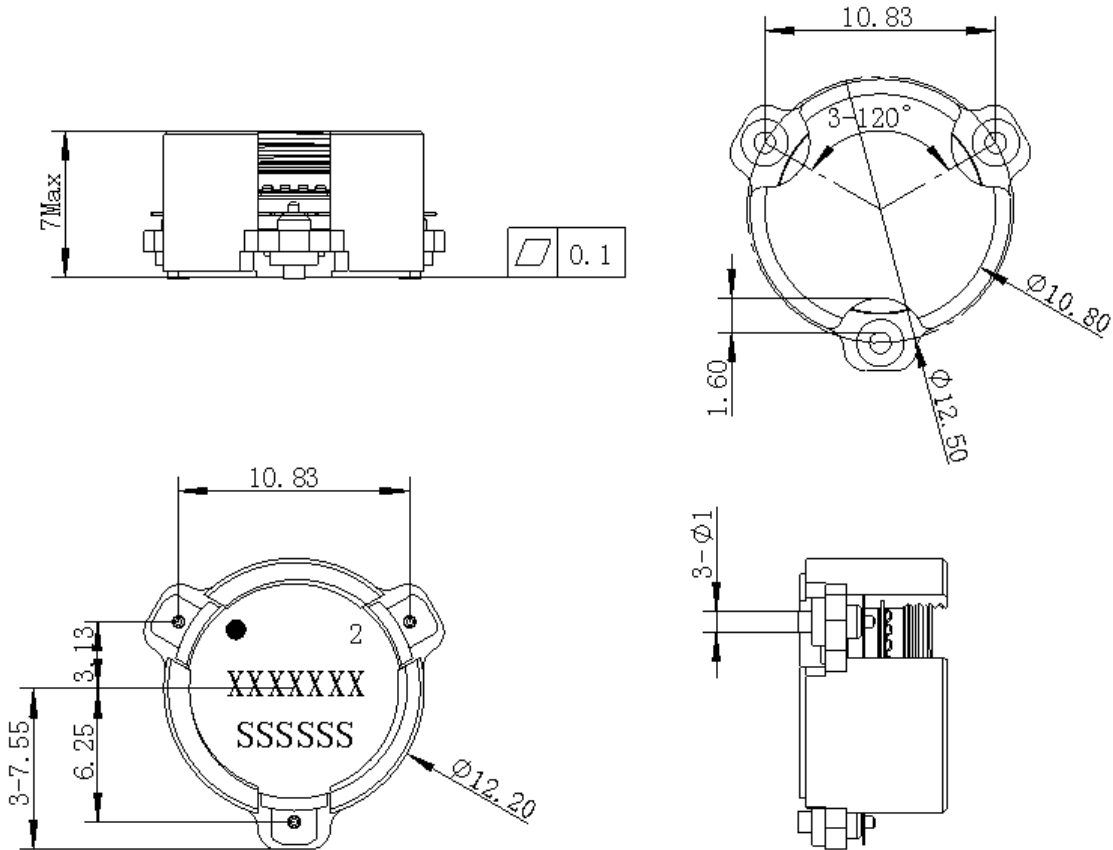
| ITEM | SPECIFICATION | |
|----------------------------|---------------|-----------|
| Frequency | 5400~5900 | MHz |
| Direction | CW | |
| Impedance | Typ: 50 | Ω |
| Insertion Loss (Max.) | 0.4 | dB |
| Isolation (Min.) | 20 | dB |
| Return Loss (Min.) | 20 | dB |
| 3rd IMD (Max.) | - | dBc |
| Group delay | - | ns |
| Group delay variation | - | ns |
| 2nd harmonic | - | dB |
| 3rd harmonic | - | dB |
| Power FWD/REV/PEAK | 50/50/400 | W |
| Termination/Attenuator | / | W/dB |
| Input Impedance ,real | / | Ω |
| Input Impedance ,imaginary | / | $j\Omega$ |

Notes:

1. Exposure to maximum rating conditions for extended periods may reduce device reliability. There is no damage to device with only one parameter set at the limit and all other parameters set at or below their nominal value. Exceeding any of the limits listed here may result in permanent damage to the device.
2. Performance is guaranteed under the conditions listed in this table and over the operating temperature range.



Mechanical Specifications:



Notes:

1. The housing and pins are silver-plated.
2. Tolerance ± 0.2 mm unless otherwise specified.
3. Co-planarity Specification: 0.1mm maximum.
4. Part Number, Lot Code, and Port Designation are printed on the top side of device
5. The **XXXXXXX** on the label represents the part number
6. The **SSSSSS** on the label represents the serial number
7. The black dot on the label represents the input port

Unit: Millimeters



Packaging Style:

| ITEM | W | A0 | B0 | K0 | D | E | F | F2 | P | P0 | P2 | T |
|------|------|------|------|------|------|------|-------|------|------|------|------|-------|
| DIM | 32 | 14.7 | 12.4 | 7.4 | Φ1.5 | 1.75 | 14.2 | 28.5 | 24 | 4 | 2 | 0.5 |
| TOLE | ±0.3 | ±0.2 | ±0.2 | ±0.2 | +0.1 | ±0.1 | ±0.15 | ±0.1 | ±0.1 | ±0.1 | ±0.1 | ±0.05 |

