

7mm*7mm SMD ISOLATOR_{RF component}

Datasheet Rev.: A
Date: 2023.10.31

Customer:

Celte

Product Name:

DP-IL0730A1842-J2

Customer P/N:

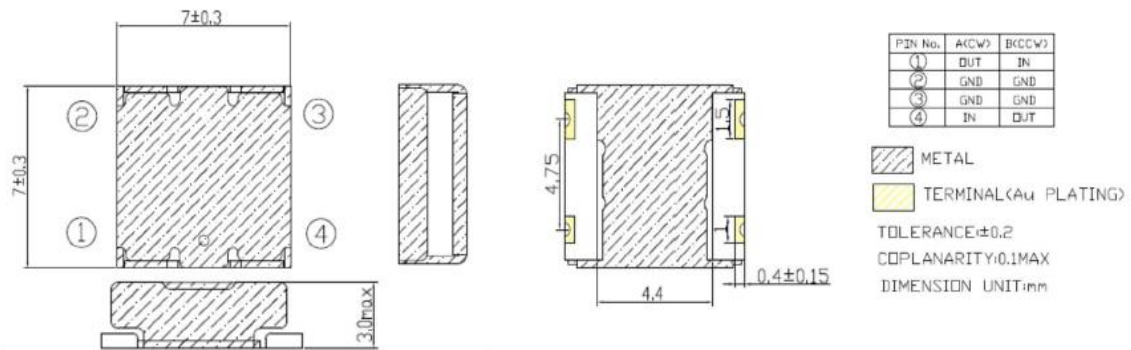
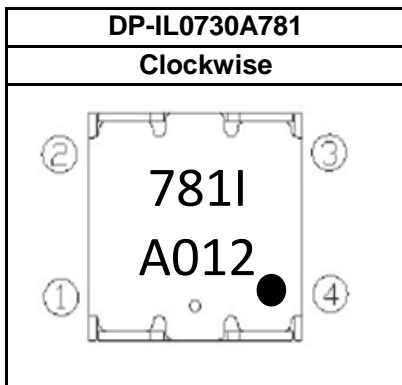
7540590



GuangdongDapuTelecomTechnologyCo.,Ltd Building5, No.24, Gongye East Road,
<http://www.dptel.com> SSL Sci & Tech Industry Park,
Dongguan, Guangdong, China
TEL: 0086-0769-88010888
FAX: 0086-0769-81800098

Approved	Checked	Designer
Nick	Wison	ZC.Wu

7mm*7mm SMD ISOLATOR_{RF} component

 Datasheet Rev.: A
 Date: 2023.10.31
MECHANICAL SPECIFICATION

MARKING


①/④: Out/In Port	
②~③: Ground	
I:	Isolator
A:	Year
01:	Week of Year
2:	Day of Week
●:	Input Port

Year Code	
Year	Code
2019	A
2020	B
2021	C
2022	D
2023	E
2024	F
...	...

Week Code	
Week	Code
1	01
2	02
3	03
4	04
5	05
6	06
...	...

Day Code	
Day	Code
Monday	1
Tuesday	2
Wednesday	3
Thursday	4
Friday	5
Saturday	6
Sunday	7

7mm*7mm SMD ISOLATOR_{RF component}

Datasheet Rev.: A
 Date: 2023.10.31

TEMPERATURE RANGE

Operating temperature range: -35~+85°C
 Storage temperature range: -40~+125°C

ELECTRICAL CHARACTERISTICS

Parameter	Unit	Customer Spec			DP Spec		
		Min.	Typ.	Max.	Min.	Typ.	Max.
Frequency range	MHz	1805		1880	1805		1880
Insertion Loss	dB	-		0.8			0.80
Isolation	dB	15		-	15		
Return Loss	dB	14		-	14		
2f	dB	5			5		
3f	dB	3			3		
Power Handing (Average)	W						5
Power Handing (Peak)	W						10
Reflection power	W						2
Characteristic Impedance (ohm)	Ω					50	
Case Style	-					SMD	

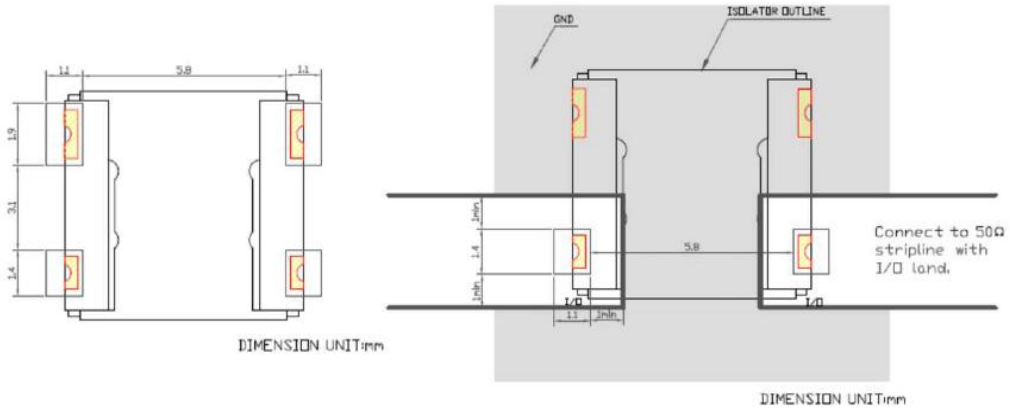
NOTES

1. Recommend to keep 30mm above when mounted with other magnetic products.
2. RoHS compliance.
3. Isolator's characteristics are guaranteed at conditions listed at above table and it's operating temperature range.

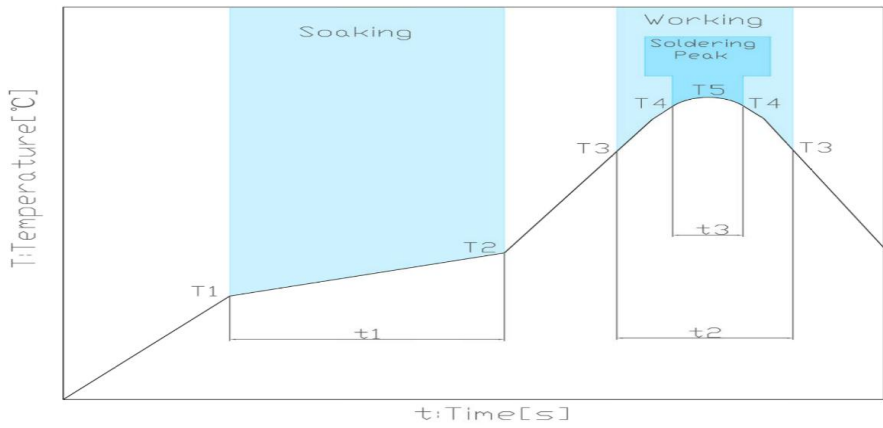
7mm*7mm SMD ISOLATOR RF component

Datasheet Rev.: A
 Date: 2023.10.31

RECOMMENDED LAND PATTERN



RECOMMENDED REFLOW PROFILE



Soaking			Working		Soldering Peak		
Temp.	T2	Time	Temp.	Time	Temp.	Time	Temp.
T1	T2	t1	T3	t2	T4	t3	T5
150°C	180°C	60 to 120s	230°C	30 to 60s	250°C	within 10s	260°C max.

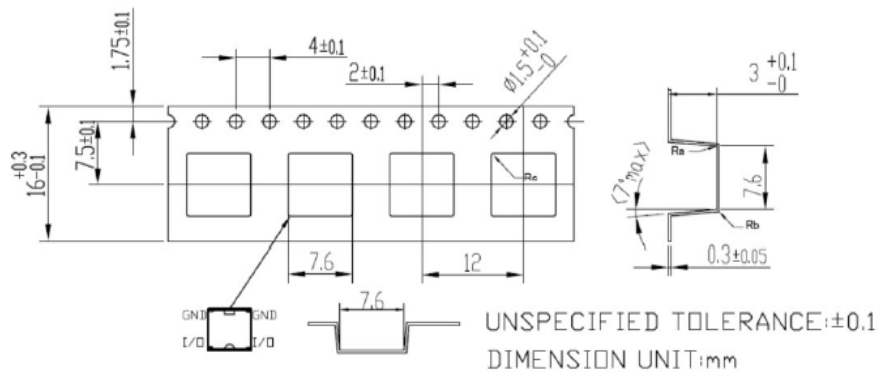
7mm*7mm SMD ISOLATOR_{RF} component

Datasheet Rev.: A
Date: 2023.10.31

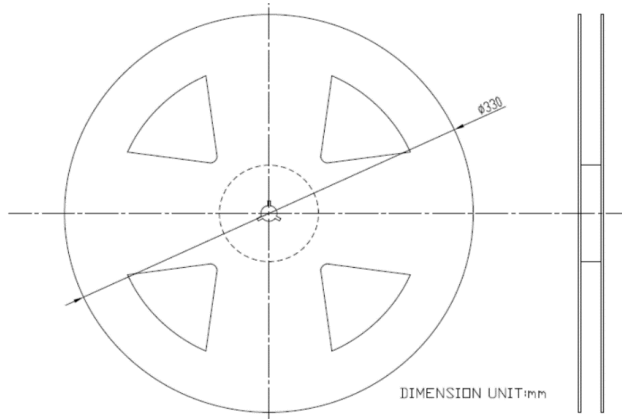
PACKING STYLE

REEL DIMENSIONS

Reel side \longrightarrow Pulling side



TAPE DIMENSIONS



PACKAGE QUANTITY

1000 PCS/REEL

7mm*7mm SMD ISOLATOR_{RF} component

Datasheet Rev.: A
 Date: 2023.10.31

Revision Records

Rev.	Date	PIC	Change item	Reasons for change
A	2023.10.31	ZC.Wu	Release datasheet	
B				
C				
D				
E				
F				
G				
H				