

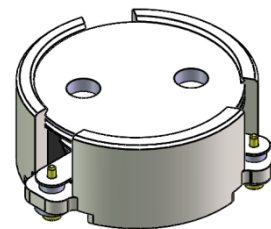


## DP0966C

### ENG PART:DP-15.5CM-758T803-CCW

758MHz to 803MHz Single-Junction Surface Mount Circulator

REV.	DESCRIPTION	REVISOR	DATE	APPROVED
A	Creating datasheet	ZC.Wu	2022/3/15	Nick
B	SAME AS REV.A1	ZZ.Zhu	2023/10/20	Nick

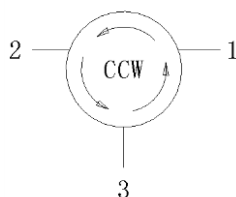


#### Applications:

- Wireless Infrastructure
- Power Amplifier

#### Features:

- Operating frequency range: 758MHz to 803MHz
- Operating temperature range: -40°C to +105°C
- Storage temperature range: -50°C to +110°C
- Small surface-mount package delivered on T&R
- BeOfree&RoHS compliant



Block Diagram



### Electrical Specifications:

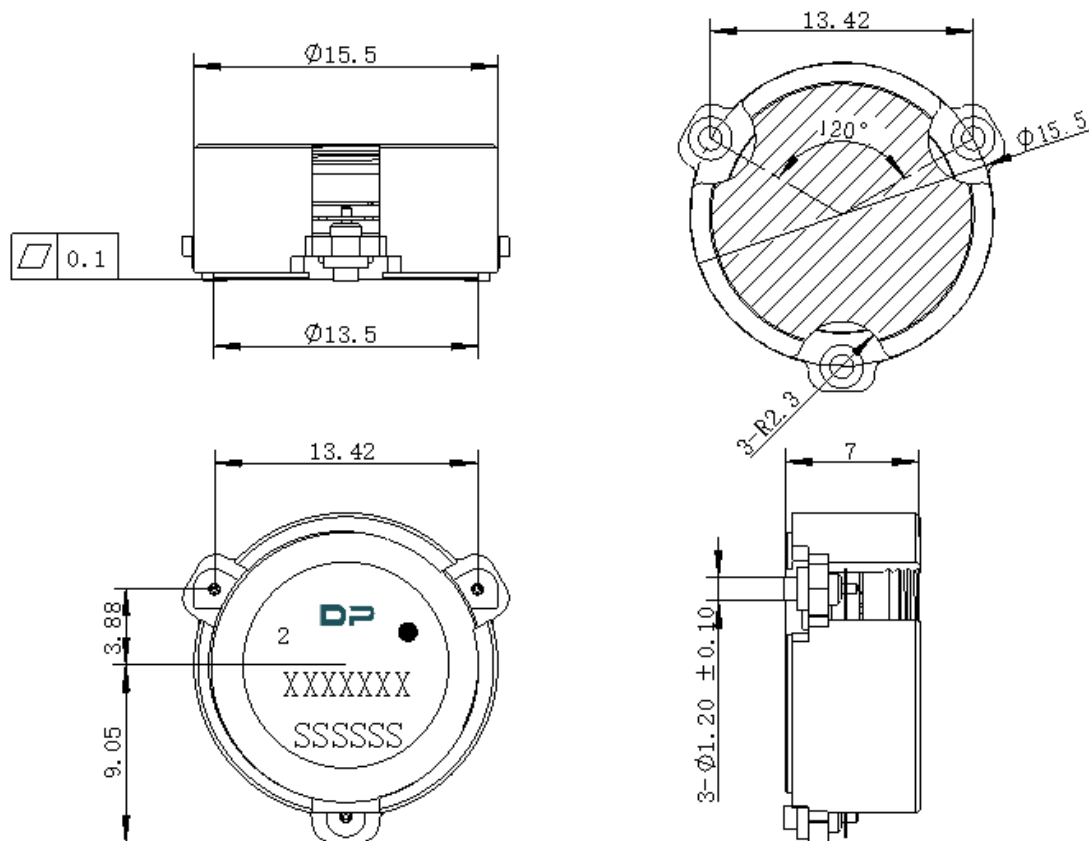
ITEM	SPECIFICATION	
Frequency	758~803	MHz
Direction	CCW	
Impedance	Typ: 50	$\Omega$
Insertion Loss (Max.)	Typ: 0.3 0.35@-40~+105°C	dB
Isolation (Min.)	Typ: 22.0 19.0@-40~+105°C	dB
Return Loss (Min.)	Typ: 22.0 19.0@-40~+105°C	dB
3rd IMD (Max.)	-60@2x1W CW tones, 1MHz spacing	dBc
Extend frequency	/	MHz
Group delay	3	ns
Isolation of extend frequency	/	dB
2nd harmonic attenuation	20	dB
3rd harmonic attenuation	20	dB
2nd harmonic suppression (Max.)	60@5W CW	dBc
3rd harmonic suppression (Max.)	60@5W CW	dBc
Power FWD/REV/PEAK	80/80/600	W
Termination/Attenuator	/	W/dB

Notes:

1. Exposure to maximum rating conditions for extended periods may reduce device reliability. There is no damage to device with only one parameter set at the limit and all other parameters set at or below their nominal value. Exceeding any of the limits listed here may result in permanent damage to the device.
2. Performance is guaranteed under the conditions listed in this table and over the operating temperature range.



### Mechanical Specifications:



Unit: Millimeters

#### Notes:

1. The housing and pins are silver-plated.
2. Tolerance  $\pm 0.2$  mm unless otherwise specified.
3. Co-planarity Specification: 0.1 mm maximum.
4. Part Number, Lot Code, and Port Designation are printed on the top side of device.
5. The **XXXXXXX** on the label represents the part number
6. The **SSSSSS** on the label represents the serial number
7. The black dot on the label represents the input port