

# 7mm\*7mm SMD ISOLATOR<sub>RF component</sub>

Datasheet Rev.:           A            
Date:           2023.09.22          

**Customer:**

**Product Name:**

DP-IL0730B742

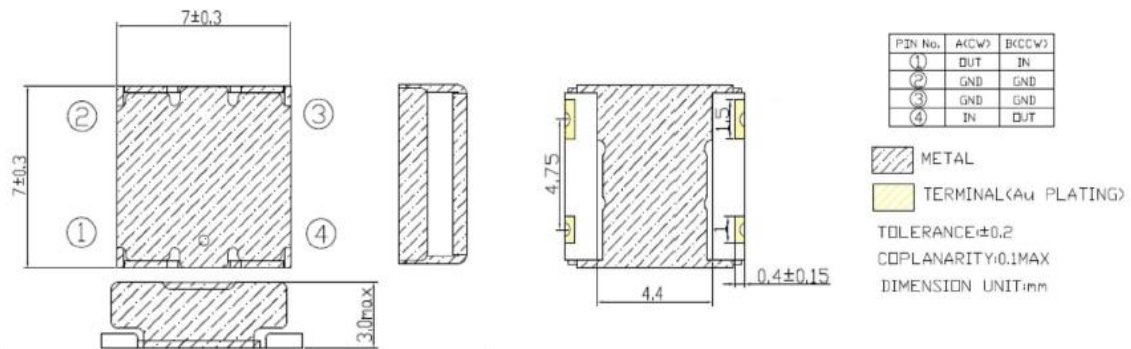
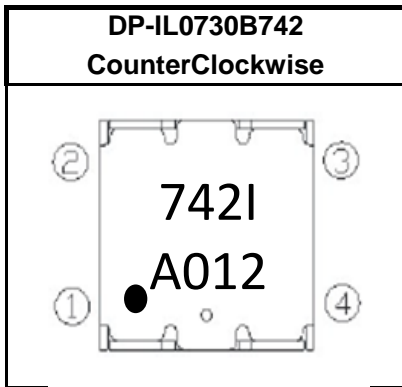
**Customer P/N:**



GuangdongDapuTelecomTechnologyCo.,Ltd Building5, No.24, Gongye East Road,  
<http://www.dptel.com> SSL Sci & Tech Industry Park,  
Dongguan, Guangdong, China  
TEL: 0086-0769-88010888  
FAX: 0086-0769-81800098

Approved	Checked	Designer
Nick	Wison	ZC.Wu

# 7mm\*7mm SMD ISOLATOR<sub>RF</sub> component

 Datasheet Rev.:           A            
 Date:           2023.09.22          
**MECHANICAL SPECIFICATION**

**MARKING**


①/④: Out/In Port	
②~③: Ground	
I:	Isolator
A:	Year
01:	Week of Year
2:	Day of Week
●:	Input Port

Year Code	
Year	Code
2019	A
2020	B
2021	C
2022	D
2023	E
2024	F
...	...

Week Code	
Week	Code
1	01
2	02
3	03
4	04
5	05
6	06
...	...

Day Code	
Day	Code
Monday	1
Tuesday	2
Wednesday	3
Thursday	4
Friday	5
Saturday	6
Sunday	7

# 7mm\*7mm SMD ISOLATOR<sub>RF component</sub>

Datasheet Rev.:           A            
 Date:           2023.09.22          

## TEMPERATURE RANGE

Operating temperature range: -40~+85°C  
 Storage temperature range: -40~+125°C

## ELECTRICAL CHARACTERISTICS

Parameter	Unit	Frequency (MHz)		DP Spec			
				Min.	Typ.	Max.	
Frequency range	MHz	728		756	728		756
Insertion Loss	dB	-		-			0.80
Isolation	dB	-		-	12		
Return Loss	dB	-		-	12		
IMD3 (2*25dBm, Span 5MHz)	dBc						
IMD3 typical	dBc						
Power Handling (Average)	W						5
Power Handling (Peak)	W						10
Reflection power	W						2
Characteristic Impedance (ohm)	Ω					50	
Case Style	-					SMD	

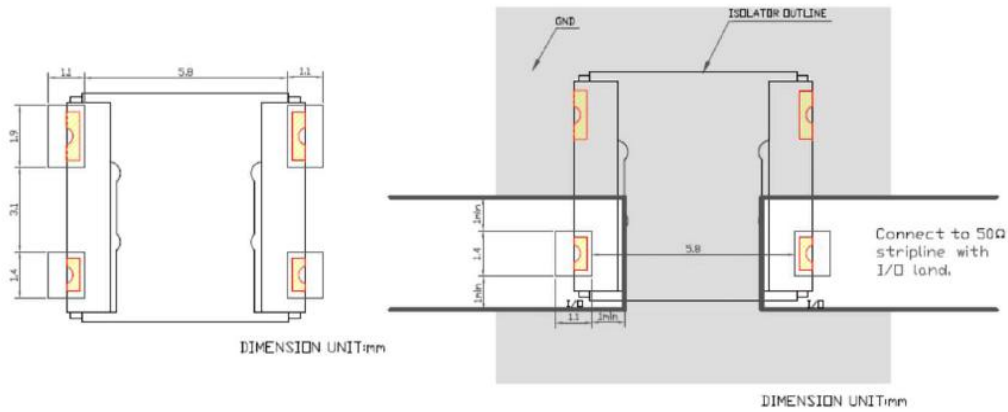
## NOTES

1. Recommend to keep 30mm above when mounted with other magnetic products.
2. RoHS compliance.
3. Isolator's characteristics are guaranteed at conditions listed at above table and it's operating temperature range.

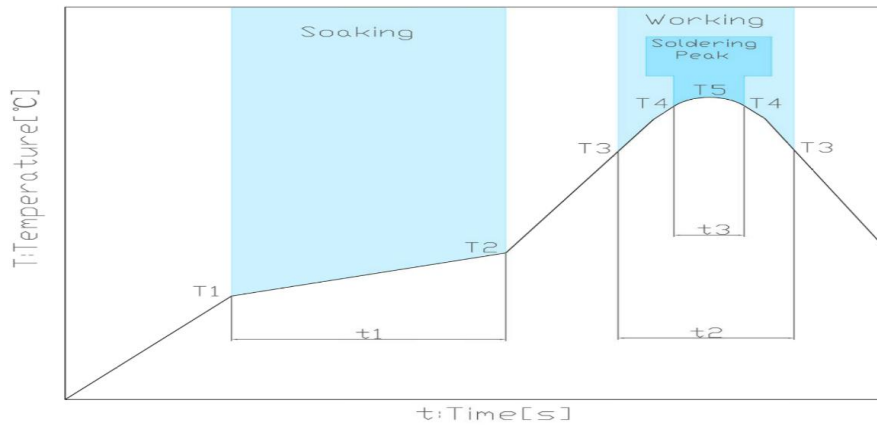
# 7mm\*7mm SMD ISOLATOR RF component

Datasheet Rev.:           A            
 Date:           2023.09.22          

## RECOMMENDED LAND PATTERN



## RECOMMENDED REFLOW PROFILE



Soaking			Working		Soldering Peak		
Temp.	T2	Time	Temp.	Time	Temp.	Time	Temp.
T1	T2	t1	T3	t2	T4	t3	T5
150°C	180°C	60 to 120s	230°C	30 to 60s	250°C	within 10s	260°C max.

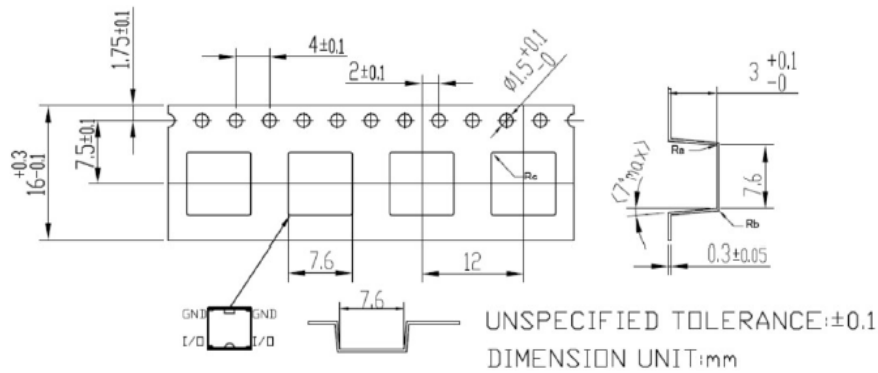
# 7mm\*7mm SMD ISOLATOR<sub>RF</sub> component

Datasheet Rev.:           A            
Date:           2023.09.22          

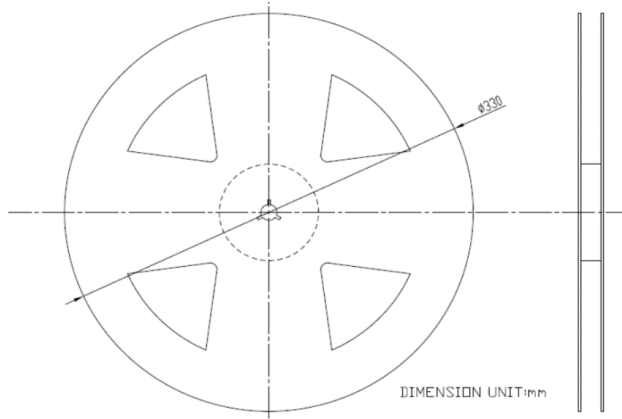
## PACKING STYLE

### REEL DIMENSIONS

Reel side  $\longrightarrow$  Pulling side



### TAPE DIMENSIONS



### PACKAGE QUANTITY

1000 PCS/REEL

# 7mm\*7mm SMD ISOLATOR<sub>RF component</sub>

Datasheet Rev.:           A            
 Date:           2023.09.22          

Revision Records

Rev.	Date	PIC	Change item	Reasons for change
A	2023.09.22	ZC.Wu	Creating datasheet	
B				
C				
D				
E				
F				
G				
H				