

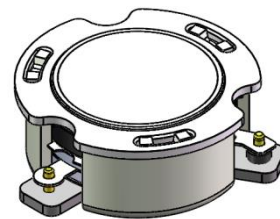


DP2818C

ENG PART:DP-20.4CM-3800T4000-CCW

3800MHz to 4000MHz Single-Junction Surface Mount Circulator

| REV. | DESCRIPTION | REVISOR | DATE | APPROVED |
|------|--------------------|---------|-----------|----------|
| A | Creating datasheet | ZZ.Zhu | 2023/9/22 | Nick |

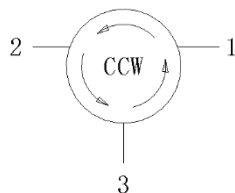


Applications:

- Wireless Infrastructure
- Power Amplifier

Features:

- Operating frequency range: 3800MHz to 4000MHz
- Operating temperature range: -40°C to +135°C
- Storage temperature range: -50°C to +150°C
- Small surface-mount package delivered on T&R
- BeOfree&RoHS compliant



Block Diagram



Electrical Specifications:

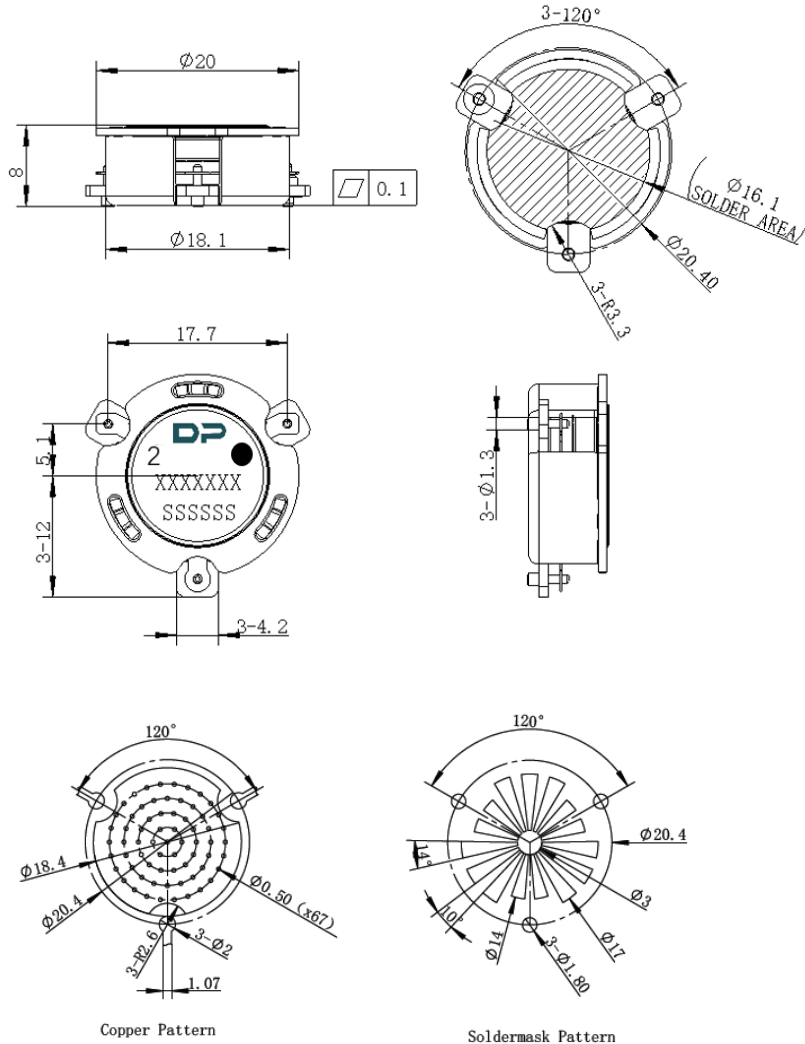
| ITEM | SPECIFICATION | |
|----------------------------|--------------------------------|------------|
| Frequency | 3800~4000 | MHz |
| Direction | CCW | |
| Impedance | Typ: 50 | Ω |
| Insertion Loss (Max.) | 0.20@25±5°C 0.25@-40~+135°C | dB |
| Isolation (Min.) | 25@25±5°C 21@-40~+135°C | dB |
| Return Loss (Min.) | 25@25±5°C 21@-40~+135°C | dB |
| 3rd IMD (Max.) | -65@2x40W, Spacing 5MHz | dBc |
| Group delay | - | ns |
| 2nd attenuation | | dB |
| 3rd attenuation | | dB |
| Power FWD/REV/PEAK | 200/200/1500 | W |
| Input Impedance ,real | 44~56 | Ω |
| Input Impedance ,imaginary | -7.5j~+7.5j | j Ω |
| Resonance point out of | 3200~4600MHz | |
| Termination/Attenuator | / | W/dB |

Notes:

1. Exposure to maximum rating conditions for extended periods may reduce device reliability. There is no damage to device with only one parameter set at the limit and all other parameters set at or below their nominal value. Exceeding any of the limits listed here may result in permanent damage to the device.
2. Performance is guaranteed under the conditions listed in this table and over the operating temperature range.



3. Mechanical Specifications:



PCB Material: ROGERS R04350B 0.508mm thickness trace width 1.07mm wide

Unit: Millimeters

Notes:

1. The housing and pins are silver-plated.
2. Tolerance ± 0.2 mm unless otherwise specified.
3. Co-planarity Specification: 0.1mm maximum.
4. PartNumber, Lot Code, and Port Designation are printed on the top side of device.
5. The **XXXXXXX** on the label represents the part number
6. The **SSSSSS** on the label represents the serial number
7. The black dot on the label represents the input port