

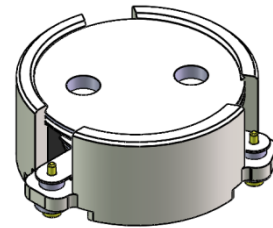


DP2754C

ENG PART:DP-15.5CM-860T960-CCW

860MHz to 960MHz Single-Junction Surface Mount Circulator

REV.	DESCRIPTION	REVISOR	DATE	APPROVED
A	Producing release	ZC.Wu	2023/9/20	Nick

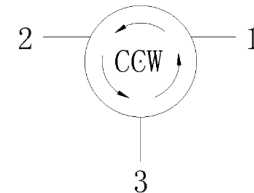


Applications:

- Wireless Infrastructure
- Power Amplifier

Features:

- Operating frequency range: 860MHz to 960MHz
- Operating temperature range: -40°C to +105°C
- Storage temperature range: -55°C to +130°C
- Small surface-mount package delivered on T&R
- BeOfree&RoHS compliant



Block Diagram



Electrical Specifications:

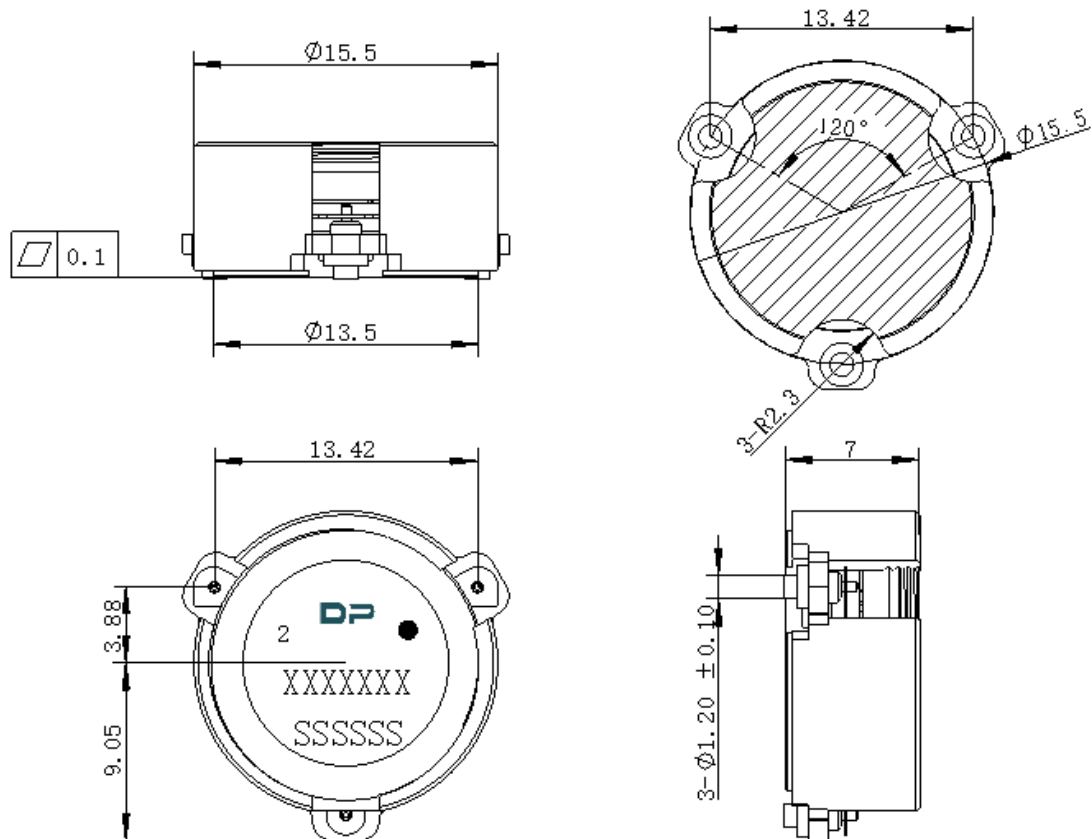
ITEM	SPECIFICATION	
Frequency	860~960	MHz
Direction	CCW	
Impedance	Typ: 50	Ω
Insertion Loss (Max.)	0.40@25±5°C 0.50@-40~+105°C	dB
Isolation (Min.)	22@25±5°C 20@-40~+105°C	dB
Return Loss (Min.)	22@25±5°C 20@-40~+105°C	dB
FWD 3rd IMD (Max.)	-	dBc
Group delay	-	ns
2nd harmonic suppression	-	dBc
3rd harmonic suppression	-	dBc
Power FWD/REV/PEAK	80/80/500	W
Input Impedance ,real	-	Ω
Input Impedance ,Imaginary	-	Ω
output Impedance ,real	-	Ω
output Impedance ,imaginary	-	Ω

Notes:

1. Exposure to maximum rating conditions for extended periods may reduce device reliability. There is no damage to device with only one parameter set at the limit and all other parameters set at or below their nominal value. Exceeding any of the limits listed here may result in permanent damage to the device.
2. Performance is guaranteed under the conditions listed in this table and over the operating temperature range.
3. Performance will not degrade by > 10% (Insertion loss > 20%) with an operating temperature of up to 130 °C.



Mechanical Specifications:



Unit: Millimeters

Notes:

1. The housing and pins are silver-plated.
2. Tolerance ± 0.2 mm unless otherwise specified.
3. Co-planarity Specification: 0.1mm maximum.
4. Part Number, Lot Code, and Port Designation are printed on the top side of device.
5. The XXXXXXX on the label represents the part number
6. The SSSSSS on the label represents the serial number
7. The black dots represent the input ports