

5mm SMD ISOLATOR

RF component

Datasheet Rev.: B
Date: 2023.07.17

Customer:

Product Name:

DP-IL0520A748

DP-IL0520B748

Customer P/N:

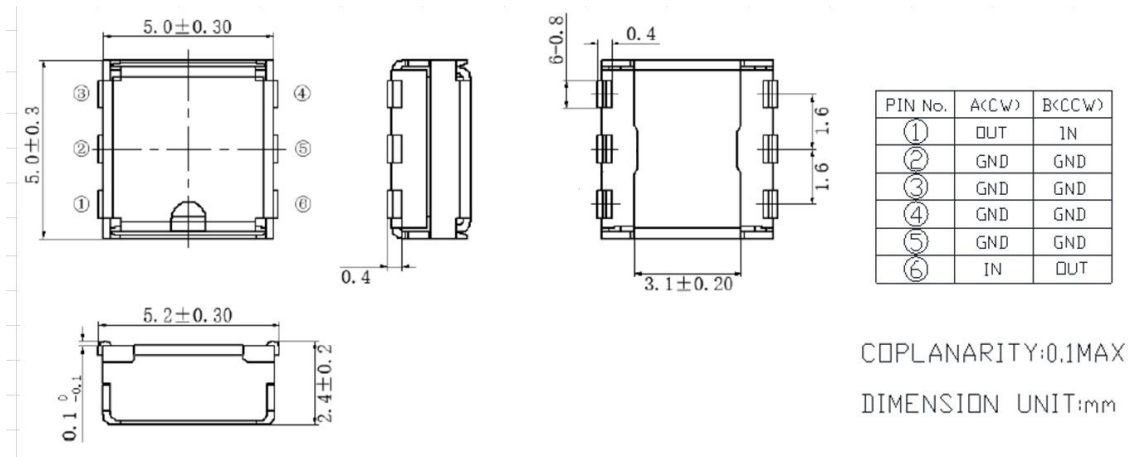


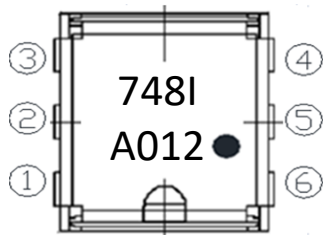
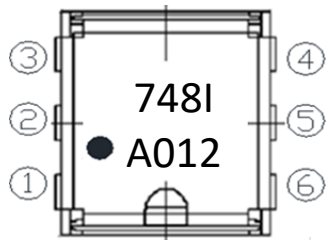
GuangdongDapuTelecomTechnologyCo.,Ltd Building5, No.24, Gongye East Road,
<http://www.dptel.com> SSL Sci & Tech Industry Park,
Dongguan, Guangdong, China
TEL: 0086-0769-88010888
FAX: 0086-0769-81800098

| Approved | Checked | Designer |
|----------|---------|----------|
| Nick | Wison | ZC.Wu |

5mm SMD ISOLATOR

RF component

 Datasheet Rev.: B
 Date: 2023.07.17
MECHANICAL SPECIFICATION

MARKING

| Clockwise | CounterClockwise | ①/⑥ : Out/In Port |
|---|---|---|
| DP-IL0520A748 | DP-IL0520B748 | ②~⑤: Ground |
|  |  | I: Isolator A: Year 01: Week of Year 2: Day of Week ●: Input Port |

| Year Code | |
|-----------|------|
| Year | Code |
| 2019 | A |
| 2020 | B |
| 2021 | C |
| 2022 | D |
| 2023 | E |
| 2024 | F |
| ... | ... |

| Week Code | |
|-----------|------|
| Week | Code |
| 1 | 01 |
| 2 | 02 |
| 3 | 03 |
| 4 | 04 |
| 5 | 05 |
| 6 | 06 |
| ... | ... |

| Day Code | |
|-----------|------|
| Day | Code |
| Monday | 1 |
| Tuesday | 2 |
| Wednesday | 3 |
| Thursday | 4 |
| Friday | 5 |
| Saturday | 6 |
| Sunday | 7 |

5mm SMD ISOLATOR

RF component

Datasheet Rev.: B
 Date: 2023.07.17

TEMPERATURE RANGE

Operating temperature range: -40~+85°C
 Storage temperature range: -55~+125°C

ELECTRICAL CHARACTERISTICS

| Parameter | Unit | Frequency (MHz) | | DP Spec | | | |
|--------------------------------|------|-----------------|--|---------|------|------|------|
| | | | | Min. | Typ. | Max. | |
| Frequency range | MHz | 729 | | 768 | 729 | | 768 |
| Insertion Loss | dB | - | | - | | | 0.90 |
| Isolation | dB | - | | - | 9 | | |
| Return Loss | dB | - | | - | 14 | | |
| Power Handling (Average) | W | | | | | | 5 |
| Power Handling (Peak) | W | | | | | | 10 |
| Reflection power | W | | | | | | 2 |
| Characteristic Impedance (ohm) | Ω | | | | | 50 | |
| Case Style | - | | | | | SMD | |

NOTES

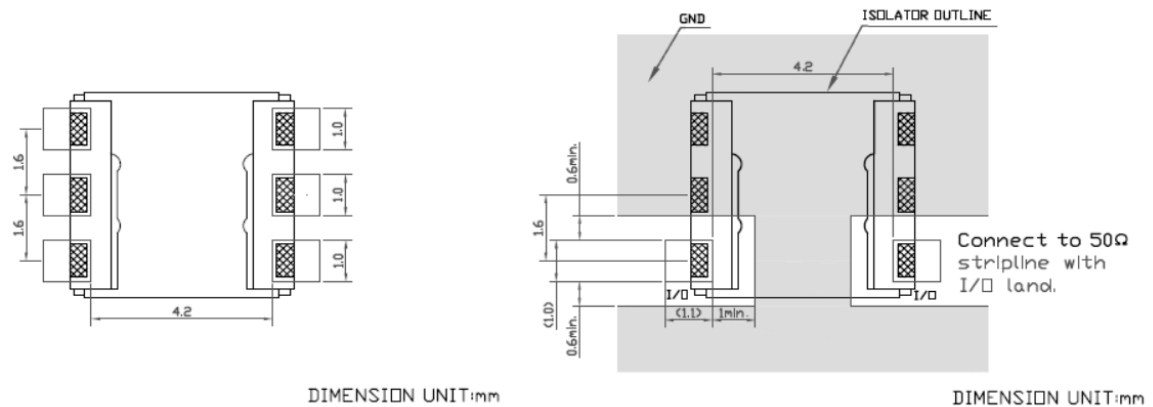
1. Recommend to keep 30mm above when mounted with other magnetic products.
2. RoHS compliance.
3. Isolator's characteristics are guaranteed at conditions listed at above table and it's operating temperature range.

5mm SMD ISOLATOR

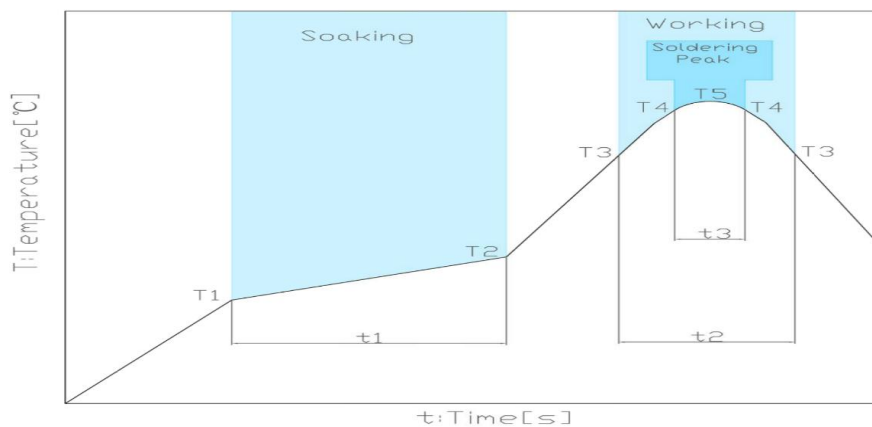
RF component

Datasheet Rev.: B
Date: 2023.07.17

RECOMMENDED LAND PATTERN



RECOMMENDED REFLOW PROFILE



| Soaking | | | Working | | Soldering Peak | | |
|---------|-------|------------|---------|-----------|----------------|------------|------------|
| Temp. | T2 | Time | Temp. | Time | Temp. | Time | Temp. |
| T1 | T2 | t1 | T3 | t2 | T4 | t3 | T5 |
| 150°C | 180°C | 60 to 120s | 230°C | 30 to 60s | 250°C | within 10s | 260°C max. |

5mm SMD ISOLATOR

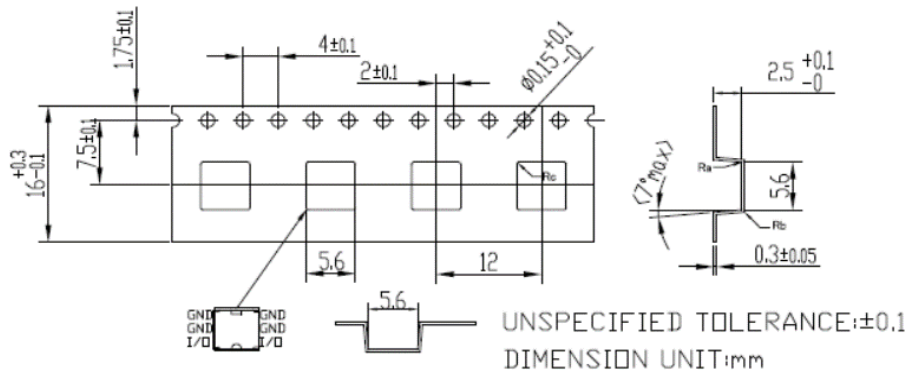
RF component

Datasheet Rev.: B
 Date: 2023.07.17

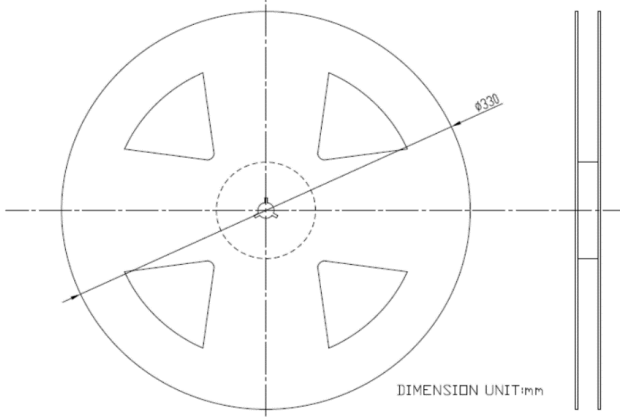
PACKING STYLE

REEL DIMENSIONS

Reel side \longrightarrow Pulling side



TAPE DIMENSIONS



PACKAGE QUANTITY

2000 PCS/REEL

5mm SMD ISOLATOR

RF component

Datasheet Rev.: B
 Date: 2023.07.17

Revision Records

| Rev. | Date | PIC | Change item | Reasons for change |
|------|------------|-------|------------------|--------------------|
| A | 2022.09.08 | ZC.Wu | New regulations | |
| B | 2023.07.17 | ZC.Wu | Update the lable | |
| C | | | | |
| D | | | | |
| E | | | | |
| F | | | | |
| G | | | | |
| H | | | | |